

T-342/T-343 ACTUATED DIAPHRAGM VALVE



TECHNICAL SPECIFICATION:

- Body Materials:** Purad® (PVDF): 1/2" x 1/2" - 6" x 2"
 PP-Pure® (PP): 1/2" x 1/2" - 4" x 1"
 PolyPure® (PPn): 2" x 1/2" - 2" x 1"
- Bonnet Material:** Polyamide (PA)
- Diaphragm:** PTFE with EPDM backing
 EPDM
- End Connection:** Metric (DIN) spigot standard
- Operator:** Normally closed, normally open

FEATURES:

- Compact and corrosion resistant polyamide body
- Robust piston style designed for longevity
- No wetted metal components
- Visual position indicator
- Low energy consumption via the use of volume fillers
- Sealed construction to protect internals from corrosive environments
- Assembled in a clean environment and shipped double bagged
- Wide range of sizes and configurations

OPTIONS:

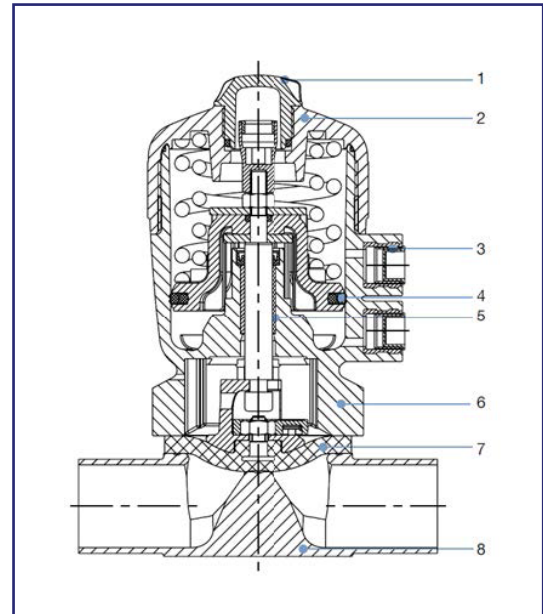
- Electrical position feedback
- Stroke limiter (travel stop)
- Direct mount solenoid
- Manual override
- Electropneumatic positioner (contact Asahi/America engineering)

PRESSURE VS. TEMPERATURE

(psi, water, non-shock)

Temp. (° F)	PVDF	PP
68	150	150
104	123	102
140	94	58
176	73	22
212	50	-

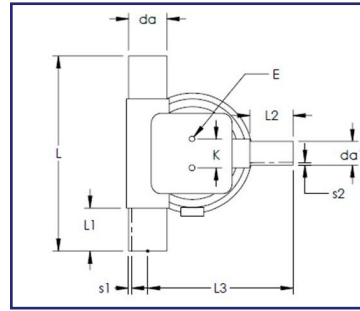
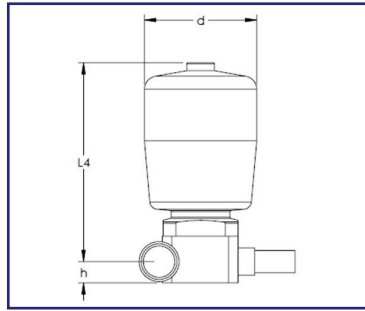
MATERIALS:



No.	Item	Material
1	Cap	Polysulfone PSU
2	Cover	Polyamide PA
3	Pilot Air Ports	Stainless Steel 1.4305
4	Piston Seal	FKM
5	Socket	Sinter Metal
6	Interface	Polyamide PA
7	Diaphragm	EPDM or PTFE with EPDM backing
8	Valve Body	Purad® (PVDF), PolyPure® (PPn) or PP-Pure® (PP)

T-342/T-343 ACTUATED DIAPHRAGM VALVE

DIMENSIONS:

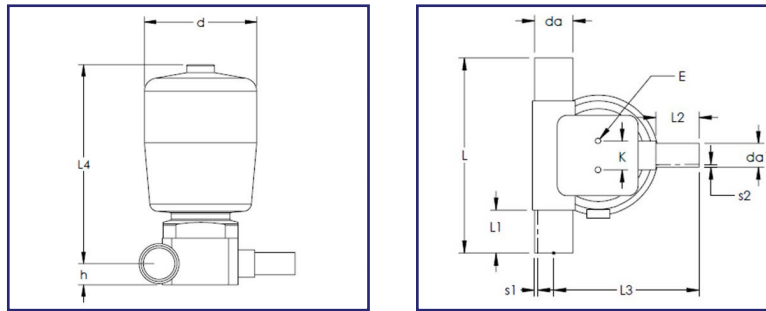


Size		SDR (in)		L3 (in)		L (in)	H (in)		L2 (in)		L1 (in)	L4 (in)		K (in)		t (in)	E	Weight (lbs)	
inch	mm	PVDF	PP	PVDF	PP		PVDF	PP	PVDF	PP		PVDF	PP	PVDF	PP			PVDF	PP
1/2	20	21	11	-	-	5.24	0.65	0.65	-	-	1.42	6.69	6.69	0.96	0.96	-	M6	1.54	1.54
3/4	25	21	11	-	-	5.67	1.65	1.65	-	-	1.42	7.69	7.69	0.96	0.96	-	M6	1.70	1.70
1	32	21	11	-	-	6.06	2.63	2.65	-	-	1.42	8.69	8.69	0.96	0.96	-	M6	3.09	3.09
1-1/4	40	21	11	-	-	7.60	3.65	3.65	-	-	1.81	9.69	9.69	1.73	1.73	-	M8	8.95	8.95
1-1/2	50	21	11	-	-	7.64	4.65	4.65	-	-	1.81	10.69	10.69	1.73	1.73	-	M8	8.83	8.83
2	63	21	11	-	-	8.82	5.65	5.65	-	-	2.13	11.69	11.69	1.73	1.73	-	M8	9.78	9.78
1/2 x 1/2	20 x 20	21	11	5.67	4.41	6.46	0.51	0.64	2.64	1.42	1.42	6.65	6.96	0.98	0.96	0.79	M6	3.53	3.52
3/4 x 1/2	25 x 20	21	11	5.67	4.55	6.46	0.55	0.64	2.64	1.42	1.42	6.65	6.96	0.98	0.96	0.79	M6	3.65	3.50
3/4 x 3/4	25 x 25	21	11	5.67	4.55	6.46	0.59	0.64	2.76	1.42	1.42	6.65	6.96	0.98	0.96	0.79	M6	3.53	3.50
1 x 1/2	32 x 20	21	11	5.96	4.80	6.46	0.67	0.75	2.28	1.42	1.42	7.05	6.96	0.98	0.96	0.79	M6	4.72	4.72
1 x 3/4	32 x 25	21	11	5.96	4.80	6.46	0.67	0.75	2.36	1.42	1.42	7.05	6.96	0.98	0.96	0.79	M6	4.59	4.56
1 x 1	32 x 32	21	11	5.96	4.80	6.46	0.71	0.75	2.40	1.42	1.42	7.05	6.96	0.98	0.96	0.79	M6	4.56	4.56
1-1/4 x 1/2	40 x 20	21	11	6.16	5.00	7.24	0.83	0.79	2.28	1.42	1.81	7.05	7.04	0.98	0.96	0.79	M6	4.67	4.67
1-1/4 x 3/4	40 x 25	21	11	6.16	5.00	7.24	0.85	0.79	2.36	1.42	1.81	7.05	7.04	0.98	0.96	0.79	M6	4.56	4.56
1-1/4 x 1	40 x 32	21	11	6.16	5.00	7.24	0.85	0.79	2.40	1.42	1.81	7.05	7.23	0.98	0.96	0.79	M6	4.59	4.67
1-1/4 x 1-1/4	40 x 40	21	-	9.29	-	9.25	0.85	-	3.66	-	1.81	10.91	-	1.77	-	1.85	M6	15.67	-
1-1/2 x 1/2	50 x 20	21	11	6.32	5.18	7.24	1.04	0.87	2.32	1.42	1.81	7.05	7.14	0.98	0.96	0.79	M6	4.83	4.83
1-1/2 x 3/4	50 x 25	21	-	6.32	-	7.24	1.04	-	2.36	-	1.81	7.05	-	0.98	-	0.79	M6	4.81	-
1-1/2 x 1	50 x 32	21	11	6.32	5.18	7.24	1.04	0.87	2.40	1.42	1.81	7.05	7.34	0.98	0.96	0.79	M6	4.41	4.41
1-1/2 x 1-1/4	50 x 40	21	-	9.37	-	9.33	1.00	-	3.78	-	1.83	11.17	-	1.77	-	2.24	M8	17.50	-
1-1/2 x 1-1/2	50 x 50	21	-	9.37	-	9.25	1.04	-	3.66	-	1.81	11.34	-	1.77	-	2.24	M6	16.26	-
2 x 1/2	63 x 20	21	-	6.61	-	7.24	1.30	-	2.28	-	1.81	7.05	-	0.98	-	0.79	M6	4.98	-
2 x 3/4	63 x 25	21	-	6.61	-	7.24	1.30	-	2.36	-	1.81	7.05	-	0.98	-	0.79	M6	4.98	-
2 x 1	63 x 32	21	11	6.61	5.43	7.24	1.30	0.87	2.40	1.42	1.81	7.05	7.34	0.98	0.96	0.79	M6	4.98	4.98
2 x 1-1/4	63 x 40	21	-	9.57	-	9.29	1.30	-	3.48	-	1.81	11.26	-	1.77	-	2.24	M8	15.72	-
2 x 1-1/4	63 x 40	21	-	9.57	-	9.29	1.30	-	3.48	-	1.81	11.26	-	1.77	-	2.24	M8	15.72	-
2 x 1-1/2	63 x 50	21	-	9.57	-	9.29	1.30	-	3.68	-	1.81	11.26	-	1.77	-	2.24	M8	15.70	-
2 x 2	63 x 63	21	-	9.53	-	9.29	1.30	-	3.94	-	1.81	11.26	-	1.77	-	2.24	M8	16.48	-

Continued on page 3

T-342/T-343 ACTUATED DIAPHRAGM VALVE

DIMENSIONS:



Size		SDR (in)		L3 (in)		L (in)	H (in)		L2 (in)		L1 (in)	L4 (in)		K (in)		t (in)	E	Weight (lbs)	
inch	mm	PVDF	PP	PVDF	PP		PVDF	PP	PVDF	PP		PVDF	PP	PVDF	PP			PVDF	PP
2-1/2 x 3/4	75 x 25	21	-	7.05	-	8.27	.091	-	2.38	-	1.30	7.24	-	0.98	-	1.30	M6	5.36	-
2-1/2 x 1	75 x 32	21	11	7.05	5.83	8.27	0.91	0.87	2.56	1.42	1.30	7.24	7.06	0.98	0.96	1.30	M6	5.38	5.38
2-1/2 x 1-1/4	75 x 40	21	-	9.76	-	8.27	1.54	-	3.45	-	1.30	11.18	-	1.77	-	2.36	M8	16.01	-
2-1/2 x 1-1/2	75 x 50	21	-	9.76	-	8.27	1.54	-	3.68	-	1.30	11.18	-	1.77	-	2.36	M8	15.98	-
2-1/2 x 2	75 x 63	21	-	9.76	-	8.27	1.54	-	3.94	-	1.30	11.18	-	1.77	-	2.36	M8	17.44	-
3 x 1	90 x 32	21	11	7.40	6.18	8.27	0.93	0.87	2.52	1.42	1.30	7.36	7.06	0.98	0.96	1.42	M6	5.80	5.80
3 x 1-1/4	90 x 40	21	-	10.00	-	8.27	1.83	-	3.48	-	1.30	11.26	-	1.77	-	2.56	M8	16.40	-
3 x 1-1/2	90 x 50	21	-	10.04	-	8.27	1.83	-	3.68	-	1.30	11.26	-	1.77	-	2.56	M8	16.40	-
3 x 2	90 x 63	21	-	10.04	-	8.27	1.83	-	3.94	-	1.30	11.26	-	1.77	-	2.56	M8	16.34	-
4 x 1/2	110 x 20	21	-	7.80	-	8.27	1.32	-	2.26	-	1.30	7.52	-	0.98	-	1.69	M6	6.59	-
4 x 3/4	110 x 25	21	-	7.80	-	8.27	1.32	-	2.26	-	1.30	7.52	-	0.98	-	1.69	M6	2.34	-
4 x 1	110 x 32	21	11	7.80	6.69	8.27	1.32	0.87	2.40	1.42	1.30	7.52	7.06	0.98	0.96	1.69	M6	6.46	6.46
4 x 1-1/4	110 x 40	21	-	10.51	-	8.27	2.22	-	3.68	-	1.30	11.26	-	1.77	-	2.95	M8	17.13	-
4 x 1-1/2	110 x 50	21	-	10.51	-	8.27	2.22	-	3.68	-	1.30	11.26	-	1.77	-	2.95	M8	17.13	-
4 x 2	110 x 63	21	-	10.51	-	8.27	2.22	-	3.94	-	1.30	11.26	-	1.77	-	2.95	M8	16.80	-
3 x 1/2	90 x 20	33 x 21	-	7.40	-	8.27	0.93	-	2.38	-	1.30	7.36	-	0.98	-	1.42	M6	5.58	-
3 x 3/4	90 x 25	33 x 21	-	7.40	-	8.27	0.93	-	2.38	-	1.30	7.36	-	0.98	-	1.42	M6	5.56	-
3 x 1	90 x 32	33 x 21	-	7.40	-	8.27	0.93	-	2.52	-	1.30	7.36	-	0.98	-	1.42	M6	5.58	-
3 x 1-1/4	90 x 40	33 x 21	-	10.00	-	8.27	1.83	-	3.48	-	1.30	11.26	-	1.77	-	2.56	M8	16.20	-
3 x 1-1/2	90 x 50	33 x 21	-	10.00	-	8.27	1.83	-	3.68	-	1.30	11.26	-	1.77	-	2.56	M8	16.20	-
4 x 2	90 x 63	33 x 21	-	10.04	-	8.27	1.83	-	3.94	-	1.30	11.26	-	1.77	-	2.56	M8	16.14	-
4 x 1/2	110 x 20	33 x 21	-	7.80	-	8.27	1.32	-	2.26	-	1.30	7.52	-	0.98	-	1.69	M6	6.33	-
4 x 3/4	110 x 25	33 x 21	-	7.80	-	8.27	1.32	-	2.26	-	1.30	7.52	-	0.98	-	1.69	M6	6.22	-
4 x 1	110 x 32	33 x 21	-	7.80	-	8.27	1.32	-	2.40	-	1.30	7.52	-	0.98	-	1.69	M6	6.22	--
4 x 1-1/4	110 x 40	33 x 21	-	10.51	-	8.27	2.22	-	3.68	-	1.30	11.26	-	1.77	-	2.95	M8	16.84	-
4 x 1-1/2	110 x 50	33 x 21	-	10.51	-	8.27	2.22	-	3.68	-	1.30	11.26	-	1.77	-	2.95	M8	16.84	-
4 x 2	110 x 63	33 x 21	-	10.51	-	8.27	2.22	-	3.94	-	1.30	11.26	-	1.77	-	2.95	M8	16.51	-

Continued on page 4

T-342/T-343 ACTUATED DIAPHRAGM VALVE

SAMPLE SPECIFICATION:

1/2" through 2" (20mm through 110mm) actuated diaphragm valves shall be actuated Type-342 style from the (Purad®, PolyPure®, PP-Pure®) high purity resin. Actuator housing shall be of polyamide (PA) construction. The actuator shall come standard with a visual position indicator and G 1/4" threaded air connections. Air supply shall be 60-100psi. Valve bodies are to be unibody, molded design with a full 150psi pressure rating at 68° F. Diaphragm material is to be (EPDM-backed PTFE, EPDM). All metal nuts and bolts must be capped or covered to reduce metal exposure. Valves to be shipped cleaned and double-bagged.

1/4" x 1/4" through 6" x 2" (20mm x 20mm through 160mm x 63mm) valves shall be Type-343 style from the (Purad®, PolyPure®, PP-Pure®) high purity resin. Actuator housing shall be of polyamide (PA) construction. The actuator shall come standard with a visual position indicator and G 1/4" threaded air connections. Air supply shall be 60-100psi. Valve bodies are to be unibody, molded design with a full 150psi pressure rating at 68° F. Diaphragm material is to be (EPDM-backed PTFE, EPDM). All metal nuts and bolts must be capped or covered to reduce metal exposure. Valves are to be shipped cleaned and double-bagged.

PILOT PRESSURE:

Required pilot pressure at 0psi and max media pressure (based on branch size for T-343)

Valve Size		Pilot Pressure at 0			Pilot Pressure at Max		
inch	mm	A-S NC	A-S NO	A-A	A-S NC	A-S NO	A-A
1/2	20	73	-	30	59	-	59
3/4	25	73	30	30	59	59	66
1	32	80	37	30	66	88	73
1-1/4	40	80	30	30	59	73	66
1-1/2	50	80	30	30	59	73	66
2	63	80	30	30	44	109	102

CV VALUES:

(100% Open, flow through branch)

Size		Cv
in	mm	
3/4 x 1/2	25/20	4
3/4 x 3/4	25/25	4
1 x 1/2	32/20	13
1 x 3/4	32/25	13
1 x 1	32/32	14
1-1/4 x 1/2	40/20	14
1-1/4 x 3/4	40/25	14
1-1/4 x 1	40/32	15
1-1/4 x 1-1/4	40/40	On Request
1-1/2 x 1/2	50/20	15
1-1/2 x 3/4	50/25	15
1-1/2 x 1	50/32	16
1-1/2 x 1-1/2	50/50	On Request
2 x 1/2	63/20	16
2 x 3/4	63/25	16
2 x 1	63/32	17
2 x 1-1/4	63/40	30
2 x 1-1/2	63/50	35
2 x 2	63/63	40
2-1/2 x 3/4	75/25	17
2-1/2 x 1	75/32	17
2-1/2 x 1-1/4	75/40	31
2-1/2 x 1-1/2	75/50	36
2-1/2 x 2	75/63	40
3 x 1/2	90/20	On Request
3 x 3/4	90/25	17
3 x 1	90/32	18
3 x 1-1/4	90/40	32
3 x 1-1/2	90/50	37
3 x 2	90/63	42
4 x 1/2	110/20	On Request
4 x 3/4	110/25	18
4 x 1	110/32	18
4 x 1-1/4	110/40	On Request
4 x 1-1/2	110/50	38
4 x 2	110/63	43