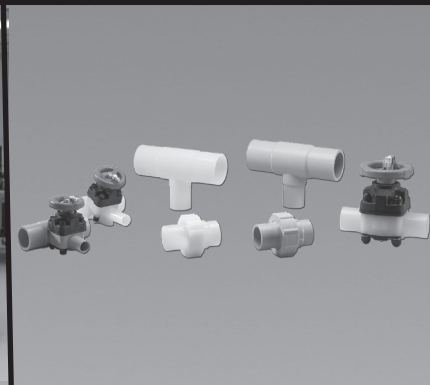
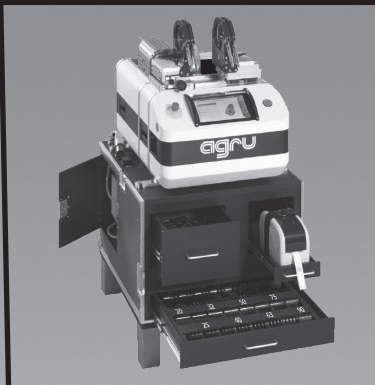


A \_\_\_\_\_  
B \_\_\_\_\_  
C \_\_\_\_\_  
D \_\_\_\_\_

# Thermoplastic Piping Systems

## Dimensional Data 2019

- High Purity Piping Systems
- Accessories
- Welding Equipment



**Another  
Corrosion  
Problem  
Solved.™**

**ASAHI-PUR**  
High Purity Piping Systems

**ASAHI/AMERICA®**  
Your Experts in Plastics™

## High Purity Piping Systems



### Purad®

<i>Product Specification</i> .....	Page 8
------------------------------------	--------

#### *IR/Butt, Beadless Fusion*

Pipe.....	Page 9
Extended Leg 90° Elbow, 90° Elbow.....	Page 10
45° Elbow.....	Page 11
Tee, Extended Leg Tee.....	Page 12
Stub End.....	Page 13
Extended Leg Reducer.....	Page 14
Machined Flush Reducer.....	Page 15
Stepped Reducer, Reducing Tee.....	Page 17
Fabricated Reducing Tee.....	Page 18
Fabricated Flush Reducing Tee.....	Page 20
Union, Union Blank.....	Page 22
Male NPT Adapter, Female NPT Adapter.....	Page 23
Union Tubing Adapter, Sanitary Adapter .....	Page 24
Flare Adapter, Hose Barb.....	Page 25
End Cap, Restraint Fitting.....	Page 26
Instrumentation Fitting.....	Page 27
Probe Adapter.....	Page 28

#### *Valves and Regulators*

T-342 2-Way Diaphragm Valves.....	Page 29
T-343 Zero Dead Leg Diaphragm Valves.....	Page 32
T-14/15 Flanged Diaphragm Valve.....	Page 36
T-21 Ball, Ball Check Valves.....	Page 37
Z801 Gauge Guard.....	Page 38
Frank Series Pressure Regulators.....	Page 39
M123, M23 Flowmeters.....	Page 41
Angle Needle Valve, Sampling Valve.....	Page 42
MPV Sampling Valves.....	Page 43

# High Purity Piping Systems



**PolyPure®**  
*Product Specification*..... Page 46

*IR/Butt, Beadless Fusion*

Pipe, Extended Leg 90° Elbow..... Page 47  
 45° Elbow, Stub End..... Page 48  
 Tee..... Page 49  
 Extended Leg Reducer, Stepped Reducer..... Page 50  
 Machined Flush Reducer..... Page 51  
 Fabricated Reducing Tee..... Page 52  
 Fabricated Flush Reducing Tee..... Page 53  
 Union, Female Adapter..... Page 54  
 Male Adapter, Sanitary Adapter..... Page 55  
 Flare Adapter, End Cap ..... Page 56  
 Hose Barb, Restraint Fitting..... Page 57  
 Instrumentation Fitting ..... Page 58  
 Probe Adapter..... Page 59

Table of Contents

## High Purity Piping Systems



**PP-Pure®**  
*Product Specification*..... Page 76

*IR/Butt, Beadless Fusion*

Pipe..... Page 77  
 Extended Leg 90° Elbow, 90° Elbow..... Page 78  
 45° Elbow..... Page 79  
 Tee..... Page 80  
 Stub End..... Page 81  
 Concentric Reducer..... Page 82  
 Machined Flush Reducer..... Page 83  
 Instrumentation Fitting..... Page 84  
 Reducing Tee..... Page 85  
 Union, Male NPT Adapter..... Page 86  
 Female Adapter, Sanitary Adapter..... Page 87  
 End Cap..... Page 88  
 Restraint Fitting..... Page 89  
 Probe Adapter..... Page 90

*Valves & Regulators*

T-342 2-Way Diaphragm Valves..... Page 91  
 T-343 Zero Dead Leg Diaphragm Valves..... Page 93  
 Butterfly, Diaphragm, Ball, Needle Valves..... Page 95  
 Frank Series Pressure Regulators..... Page 98  
 M123, M23 Flowmeters..... Page 100



**Purflon®**  
*Product Specification*..... Page 103

Pipe, 90° Elbow..... Page 104  
 90° Sweep Elbow, 45° Elbow..... Page 105  
 Tee, Concentric Reducer..... Page 106  
 End Cap, Stub End..... Page 107  
 Weld x S300 Adapter, Weld x S300 Space Save ..... Page 108  
 Weld x Spare Weld x Flare Space Saver ..... Page 109  
 Male Adapter, Female Adapter..... Page 110  
 Sanitary Adapter..... Page 111



# Thermoplastic Piping Systems

## Piping Accessories

Backing Rings.....	Page 118
PP and PVDF Blind Flanges.....	Page 119
AV Gaskets.....	Page 121
Seal Clean Gaskets.....	Page 122
Sanitary Gaskets.....	Page 123
Sanitary Clamps.....	Page 124
Diaphragm Valve Accessories.....	Page 125
Pipe Clips.....	Page 127

## Welding Equipment

Equipment.....	Page 130
Rental Rates.....	Page 131
Accessories.....	Page 132
Rental Agreements.....	Page 136

## Policies

Freight.....	Page 138
Return.....	Page 139
Warranty.....	Page 141

Table of Contents

# ASAHI-PUR

High Purity Piping Systems

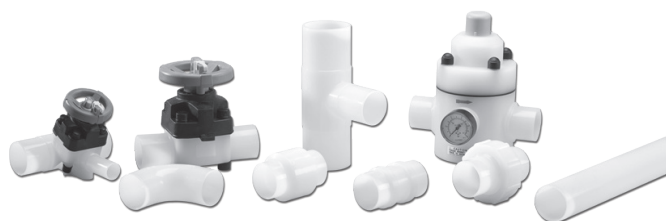
## PURAD<sup>®</sup>

PVDF Piping

UHP PVDF premier product for high purity water systems.

**Supply Range**

- 20 - 315mm (1/2" - 12")  
SDR 21 / PN 16 / 230psi
- 90 - 315mm (3" - 12")  
SDR 33 / PN 10 / 150psi



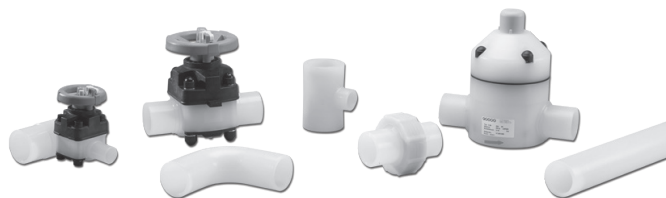
## POLYPURE<sup>®</sup>

PP Piping

Natural polypropylene systems provide excellent high purity performance and cost effective installation.

**Supply Range**

- 20 - 110mm (1/2" - 4")  
SDR 11 / PN 10 / 150psi



## PP-PURE<sup>®</sup>

PP Piping

Pigmented polypropylene systems provide a wide size range and the best cost savings on large scale water systems up to 12".

**Supply Range**

- 20 - 315mm (1/2" - 12")  
SDR 11 / PN 10 / 150psi



## PURFLON<sup>®</sup>

PFA Piping

Ultra high purity PFA for aggressive applications. Highly resistant to chemicals and temperatures.

**Supply Range**

- 20 - 32mm (1/2" - 1")  
SDR 21 / PN 10 / 150psi





# Ultra High Purity PVDF Piping System



# Purad®

Natural Polyvinylidene Fluoride (PVDF)

High Purity Piping System

REV:HP0512PV

**Materials:** ASTM D3222 Type II Suspension grade homopolymer. Resin shall comply with FDA Code of Federal Regulators (CFR), Title 21, Chapter 1: Section 177.2510 determining suitability for contact with foodstuff.

**Pipe Production:** Dimensions and tolerances shall exceed ISO 10931 requirement. Pipe shall be extruded in ISO Class 5 cleanroom environment.

**Fitting Production:** Dimensions and tolerances shall exceed ISO 10931 requirement. Fittings shall be molded with a central injection gate.

**Pressure Rating:** Components shall be pressure rated in accordance with ASTM D2837 and DIN 8077 for hydrostatic design basis. Components shall be manufactured to standard dimensional ratio (SDR) 21 and 33 and others upon request.

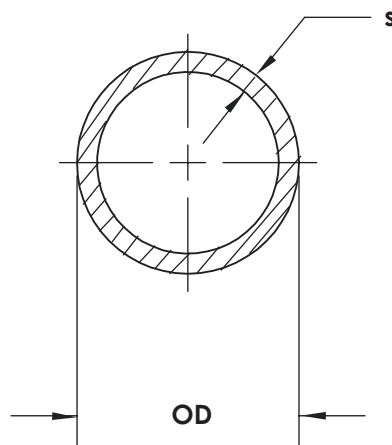
Based on continuous service life of 50 years at 68° F (20° C).

SDR21: 230psi (PN16)

SDR33: 150psi (PN10)

PN = Nominal pressure in bar.

**Joining:** Available methods shall be according to the schedule below  
DVS 2208-1 Socket: 1/2" (20mm) through 2" (63mm)  
DVS 2207-15 Contact Butt: 1/2" (20mm) through 12" (315mm)  
DVS 2207-6 Non Contact IR: 1/2" (20mm) through 12" 315mm)  
Beadless Fusion: 1/2" (20mm) through 4" (110mm)

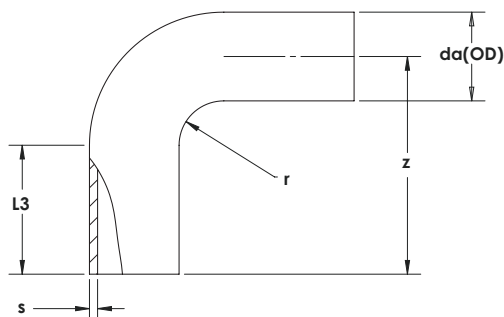


**PIPE\*** 5 meter (16.4') lengths

Size		Quantity per bag	SDR 21 / PN 16 / 230 PSI				SDR 33 / PN 10 / 150 PSI			
mm	inch		OD	s	Weight (lbs/lh)	Part Number	OD	s	Weight (lbs/lh)	Part Number
20	1/2	5	0.787	0.075	2.31	5401005	-	-	-	-
25	3/4	4	0.984	0.075	2.98	5401007	-	-	-	-
32	1	3	1.260	0.094	4.85	5401010	-	-	-	-
40	1-1/4	1	1.575	0.094	6.06	5401012	-	-	-	-
50	1-1/2	1	1.969	0.118	9.37	5401015	-	-	-	-
63	2	1	2.480	0.118	12.02	5401020	-	-	-	-
75	2-1/2	1	2.953	0.142	17.09	5401025	-	-	-	-
90	3	1	3.543	0.169	24.47	5403030	3.543	0.110	16.31	5401030
110	4	1	4.331	0.209	36.60	5403040	4.331	0.134	24.25	5401040
160	6	1	6.299	0.303	76.72	5403060	6.299	0.193	50.04	5401060
200	8	1	7.874	0.378	118.39	5403080	7.874	0.244	79.26	5401080
225	9	1	8.858	0.425	150.69	5403090	8.858	0.272	98.65	5401090
250	10	1	9.843	0.469	184.42	5403100	9.843	0.303	122.24	5401100
315	12	1	12.402	0.591	292.11	5403120	12.402	0.382	193.46	5401120

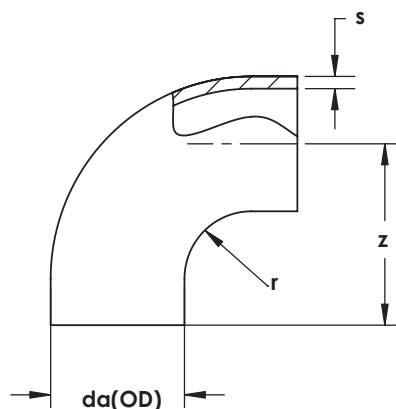
\*Sold in 5m (16.4') lengths only.  
 Diameter is metric, inch size provided as nominal only.  
 Sizes 20-32mm multi-bagged.





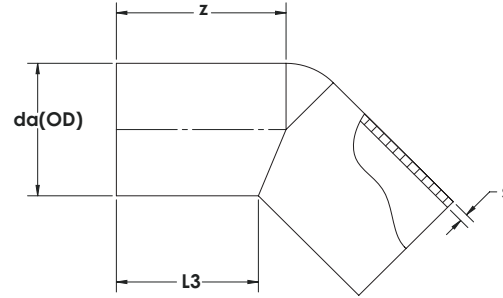
### EXTENDED LEG 90 DEGREE ELBOW

Size		Dimensions				SDR 21 / PN 16 / 230 PSI		SDR 33 / PN 10 / 150 PSI		
mm	inch	z	r	L3	s	Weight (lbs)	Part Number	s	Weight (lbs)	Part Number
20	1/2	2.008	0.787	1.299	0.075	0.04	5402005	-	-	-
25	3/4	2.205	0.984	1.299	0.075	0.07	5402007	-	-	-
32	1	2.480	1.260	1.299	0.094	0.13	5402010	-	-	-
40	1-1/4	2.835	1.575	1.417	0.094	0.18	5402012	-	-	-
50	1-1/2	3.307	1.969	1.417	0.118	0.31	5402015	-	-	-
63	2	3.819	2.480	1.378	0.118	0.46	5402020	-	-	-
75	2-1/2	3.937	2.953	1.102	0.142	0.68	5402025	-	-	-
90	3	4.843	3.543	1.339	0.169	1.19	5402030	0.110	0.88	5429030
110	4	5.591	4.331	1.339	0.209	2.16	5402040	0.134	1.57	5429040
160	6	9.290	6.300	2.874	0.303	6.26	5402060	0.193	4.37	5429060
225	9	11.850	8.860	2.874	0.425	16.0	5402090	0.272	11.2	5429090



### 90 DEGREE ELBOW

Size		Dimensions			SDR 21 / PN 16 / 230 PSI		SDR 33 / PN 10 / 150 PSI		
mm	inch	z	r	s	Weight (lbs)	Part Number	s	Weight (lbs)	Part Number
160	6	7.131	6.186	0.303	4.64	5410060	0.193	3.41	5407060
200	8	8.550	7.722	0.378	8.71	5410080	0.244	6.40	5407080
225	9	9.574	8.865	0.426	12.2	5410090	0.272	8.60	5407090
250	10	11.308	9.850	0.469	17.9	5410100	0.303	12.9	5407100
315	12	13.317	11.820	0.591	31.8	5410120	0.382	22.1	5407120

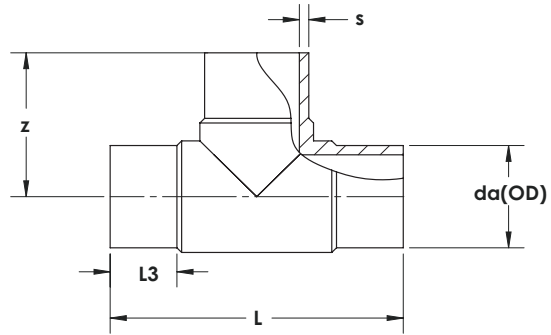


### 45 DEGREE ELBOW

Size		Dimensions			SDR 21 / PN 16 / 230 PSI		SDR 33 / PN 10 / 150 PSI		
mm	inch	z	L3	s	Weight (lbs)	Part Number	s	Weight (lbs)	Part Number
20	1/2	1.694	1.537	0.075	0.04	5414005	-	-	-
25	3/4	1.773	1.576	0.075	0.07	5414007	-	-	-
32	1	2.049	1.812	0.094	0.11	5414010	-	-	-
40	1-1/4	2.285	1.970	0.094	0.18	5414012	-	-	-
50	1-1/2	2.600	2.206	0.118	0.29	5414015	-	-	-
63	2	2.955	2.443	0.118	0.42	5414020	-	-	-
75	2-1/2	1.891	1.261	0.142	0.31	5414025	-	-	-
90	3	2.325	1.418	0.169	0.57	5416030	0.110	0.88	5414030
110	4	2.679	1.773	0.209	1.01	5416040	0.134	1.57	5414040
160	6	4.058	2.561	0.303	3.19	5416060	0.193	2.18	5414060
200	8	7.953	7.126	0.378	8.93	5416080*	0.244	6.22	5414080*
225	9	8.307	7.598	0.425	11.93	5416090*	0.272	8.05	5414090*
250	10	9.488	8.032	0.469	15.98	5416100*	0.303	11.16	5414100*
315	12	10.315	8.588	0.528	20.41	5416120*	0.339	13.89	5414120*

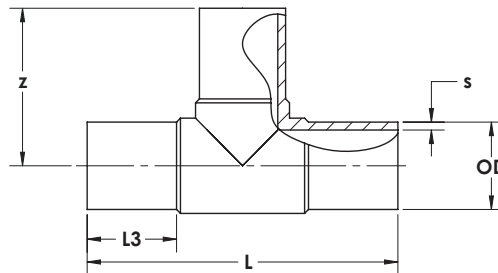
\*Items are fabricated.

\*Items are non-returnable / non-cancelable.



**TEE**

Size		Dimensions			SDR 21 / PN 16 / 230 PSI			SDR 33 / PN 10 / 150 PSI		
mm	inch	z	L	L3	s	Weight (lbs)	Part Number	s	Weight (lbs)	Part Number
20	1/2	1.378	2.756	0.591	0.075	0.07	5418005	-	-	-
25	3/4	1.575	3.150	0.591	0.075	0.09	5418007	-	-	-
32	1	1.772	3.504	0.669	0.094	0.15	5418010	-	-	-
40	1-1/4	1.969	3.937	0.630	0.094	0.20	5418012	-	-	-
50	1-1/2	2.362	4.724	0.906	0.118	0.37	5418015	-	-	-
63	2	2.953	5.866	1.102	0.118	0.59	5418020	-	-	-
75	2-1/2	3.425	6.850	1.102	0.142	0.90	5418025	-	-	-
90	3	3.622	7.126	1.299	0.169	1.39	5421030	0.110	1.08	5418030
110	4	4.331	8.780	1.299	0.209	2.65	5421040	0.134	2.07	5418040
160	6	5.512	10.984	1.772	0.303	5.82	5421060	0.193	4.43	5418060
200	8	8.780	17.559	3.504	0.378	16.2	5421080	0.244	12.3	5418080
225	9	9.843	19.606	3.898	0.425	21.0	5421090	0.272	15.4	5418090
250	10	9.843	19.685	3.150	0.469	25.1	5421100	0.303	24.2	5418100
315	12	9.724	19.528	2.244	0.591	37.7	5421120	0.382	27.2	5418120

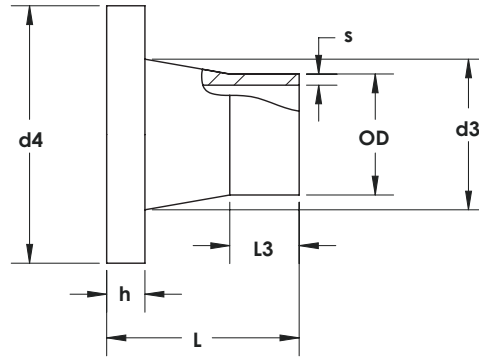


**EXTENDED LEG TEE**

Size		Dimensions			SDR 21 / PN 16 / 230 PSI		
mm	inch	z	L	L3	s	Weight (lbs)	Part Number
20	1/2	2.165	4.291	1.417	0.075	0.11	5419005
25	3/4	2.323	4.606	1.575	0.075	0.15	5419007
32	1	2.835	5.630	1.772	0.094	0.24	5419010

Recommended for beadless fusion

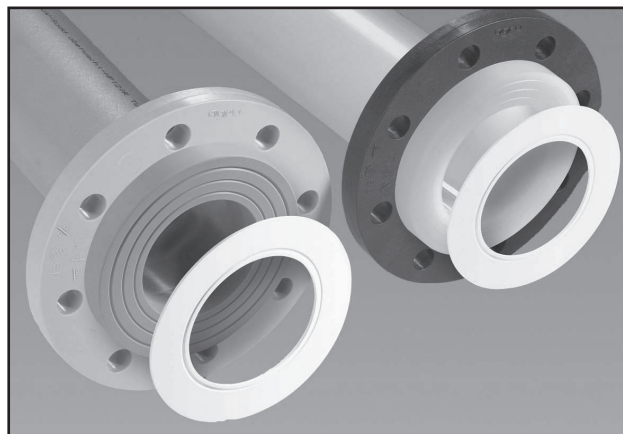




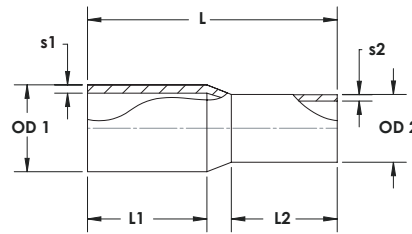
**STUB END\* (FLANGE ADAPTER)**

Size		Dimensions						SDR 21 / PN 16 / 230 PSI		SDR 33 / PN 10 / 150 PSI			
mm	inch	h	s	L	L3	d3	d4	Weight (lbs)	Part Number	h	s	Weight (lbs)	Part Number
20	1/2	0.236	0.075	1.970	1.221	1.064	1.773	0.07	5430005	-	-	-	-
25	3/4	0.256	0.075	1.969	1.181	1.299	2.283	0.11	5430007	-	-	-	-
32	1	0.276	0.094	1.969	1.024	1.575	2.677	0.15	5430010	-	-	-	-
40	1-1/4	0.315	0.094	1.969	0.866	1.969	3.071	0.22	5430012	-	-	-	-
50	1-1/2	0.354	0.118	1.969	0.866	2.402	3.307	0.29	5430015	-	-	-	-
63	2	0.394	0.118	1.969	0.709	2.953	3.898	0.40	5430020	-	-	-	-
75	2-1/2	0.433	0.142	1.969	0.709	3.504	4.685	0.55	5430025	-	-	-	-
90	3	0.433	0.169	3.150	1.299	4.134	5.079	0.86	5470030	0.433	0.110	0.84	5430030
110	4	0.472	0.209	3.150	1.496	4.921	6.063	1.21	5470040	0.472	0.134	1.26	5430040
160	6	0.630	0.303	3.150	1.339	6.890	8.346	2.54	5470060	0.630	0.193	2.07	5430060
200	8	0.945	0.378	3.937	1.417	9.134	10.433	5.29	5470080	0.709	0.244	4.28	5430080
225	9	0.945	0.425	3.937	1.811	9.252	10.433	4.65	5470090	0.709	0.272	5.91	5430090
250	10	0.984	0.469	3.937	1.378	11.220	12.598	7.83	5470100	0.787	0.303	6.83	5430100
315	12	0.984	0.591	4.016	1.614	13.189	14.570	9.83	5470120	0.787	0.382	7.65	5430120

\*Requires backing ring. See page 118.  
9" stub end uses 8" backing ring.

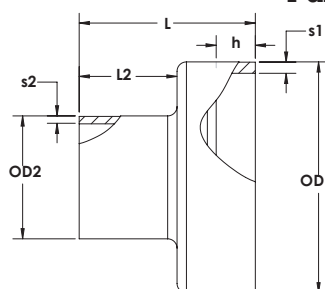


Stub end with backing ring and Seal Clean gasket



**EXTENDED LEG CONCENTRIC REDUCER**

Size		Dimensions					SDR 21 / PN 16 / 230 PSI		
mm	inch	L	L1	L2	s1	s2	Weight (lbs)	Part Number	
25/20	3/4 x 1/2	1.970	0.788	0.788	0.075	0.075	0.04	5424101	
32/20	1 x 1/2	1.970	0.729	0.749	0.095	0.075	0.04	5424130	
32/25	1 x 3/4	1.970	0.788	0.788	0.095	0.075	0.04	5424131	
40/20	1-1/4 x 1/2	2.167	0.788	0.788	0.095	0.075	0.07	5424166	
40/25	1-1/4 x 3/4	2.167	0.788	0.788	0.095	0.075	0.07	5424167	
40/32	1-1/4 x 1	2.167	0.788	0.788	0.095	0.106	0.07	5424168	
50/20	1-1/2 x 1/2	2.364	0.906	0.788	0.118	0.075	0.09	5424205	
50/25	1-1/2 x 3/4	2.364	0.946	0.788	0.118	0.075	0.09	5424210	
50/32	1-1/2 x 1	2.364	0.985	0.788	0.118	0.095	0.11	5424211	
50/40	1-1/2 x 1-1/4	2.364	0.985	0.867	0.118	0.095	0.11	5424212	
63/25	2 x 3/4	2.955	0.985	0.788	0.075	0.075	0.15	5424248	
63/32	2 x 1	2.561	0.985	0.709	0.118	0.095	0.15	5424249	
63/40	2 x 1-1/4	2.561	1.024	0.867	0.118	0.095	0.15	5424250	
63/50	2 x 1-1/2	2.561	0.985	0.946	0.118	0.118	0.15	5424251	
75/50	2-1/2 x 1-1/2	5.831	2.482	2.246	0.142	0.118	0.46	5424291	
75/63	2-1/2 x 2	5.871	2.561	2.364	0.142	0.118	0.46	5424292	
90/50	3 x 1-1/2	3.546	1.182	0.985	0.118	0.118	0.37	5424337	
90/63	3 x 2	6.304	2.758	2.325	0.169	0.118	0.64	5424338	
90/75	3 x 2-1/2	6.383	2.955	2.443	0.169	0.142	0.73	5424339	
110/63	4 x 2	4.058	1.300	1.180	0.209	0.118	0.57	5424420	
110/90	4 x 3	7.092	3.113	2.837	0.209	0.169	1.23	5424422	
160/110	6 x 4	9.062	3.743	3.507	0.303	0.209	2.86	5424532	
225/160	9 x 6	6.304	1.261	1.379	0.426	0.303	3.94	5424606	
250/160	10 x 6	7.053	1.418	1.418	0.469	0.303	5.08	5424627	
250/225	10 x 8	7.092	1.694	1.103	0.469	0.426	6.03	5424629	
Size		Dimensions					SDR 33 x SDR 21 / PN 10 / 150 PSI		
mm	inch	L	L1	L2	s1	s2	Weight (lbs)	Part Number	
90/63	3 x 2	6.304	2.758	2.325	0.110	0.118	0.51	5494338	
110/63	4 x 2	4.058	1.300	1.180	0.134	0.118	0.44	5494420	
160/110	6 x 4	9.062	3.743	3.507	0.193	0.209	2.42	5494532	
Size		Dimensions					SDR 33 / PN 10 / 150 PSI		
mm	inch	L	L1	L2	s1	s2	Weight (lbs)	Part Number	
110/90	4 x 3	7.092	3.113	2.953	0.134	0.106	1.01	5497422	
160/110	6 x 4	9.062	3.743	3.507	0.193	0.134	1.98	5497532	
225/160	9 x 6	6.304	1.261	1.379	0.272	0.193	2.66	5497606	
250/160	10 x 6	7.053	1.418	1.418	0.303	0.193	3.78	5497627	
250/225	10 x 8	7.092	1.694	1.103	0.303	0.272	4.07	5497629	
315/160	12 x 6	7.092	1.655	1.458	0.382	0.193	9.90	5497659	
315/250	12 x 10	7.092	1.655	1.458	0.382	0.303	11.0	5497630	



## MACHINED FLUSH REDUCER

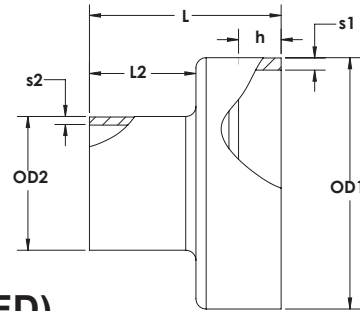
Size		Dimensions			SDR 21*		
mm	inch	L	L2	h	s1	s2	Part Number
40/20	1-1/4 x 1/2	2.250	1.250	0.500	0.094	0.075	5448166
40/25	1-1/4 x 3/4	2.250	1.250	0.500	0.094	0.075	5448167
40/32	1-1/4 x 1	2.250	1.250	0.500	0.094	0.094	5448168
50/20	1-1/2 x 1/2	2.250	1.250	0.500	0.118	0.075	5448208
50/25	1-1/2 x 3/4	2.250	1.250	0.500	0.118	0.075	5448210
50/32	1-1/2 x 1	2.250	1.250	0.500	0.118	0.094	5448211
50/40	1-1/2 x 1-1/4	2.250	1.250	0.500	0.118	0.094	5448212
63/20	2 x 1/2	2.250	1.250	0.500	0.118	0.075	5448246
63/25	2 x 3/4	2.250	1.250	0.500	0.118	0.075	5448248
63/40	2 x 1-1/4	2.250	1.250	0.500	0.118	0.094	5448250
63/50	2 x 1-1/2	2.250	1.250	0.500	0.118	0.118	5448251
75/32	2-1/2 x 1	2.250	1.250	0.500	0.142	0.094	5448289
75/40	2-1/2 x 1-1/4	2.250	1.250	0.500	0.142	0.094	5448290
75/50	2-1/2 x 1-1/2	2.250	1.250	0.500	0.142	0.118	5448291
75/63	2-1/2 x 2	2.250	1.250	0.500	0.142	0.118	5448292
90/20	3 x 1/2	2.250	1.250	0.500	0.169	0.075	5448332
90/25	3 x 3/4	2.250	1.250	0.500	0.169	0.075	5448333
90/32	3 x 1	2.250	1.250	0.500	0.169	0.094	5448336
90/40	3 x 1-1/4	2.250	1.250	0.500	0.169	0.094	5448335
90/50	3 x 1-1/2	2.250	1.250	0.500	0.169	0.118	5448337
110/20	4 x 1/2	2.250	1.250	0.500	0.209	0.075	5448399
110/25	4 x 3/4	2.250	1.250	0.500	0.209	0.075	5448404
110/32	4 x 1	2.250	1.250	0.500	0.209	0.094	5448401
110/40	4 x 1-1/4	2.250	1.250	0.500	0.209	0.094	5448412
110/50	4 x 1-1/2	2.250	1.250	0.500	0.209	0.118	5448415

Machined items are non-returnable / non-cancelable.

\*Consult Asahi/America for pressure rating.

Note: Larger sizes available.

Custom sizes are also available.



## MACHINED FLUSH REDUCER (CONTINUED)

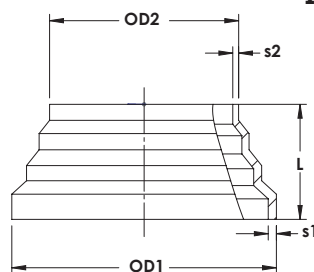
Size		Dimensions			SDR 33 x SDR 21 *		
mm	inch	L	L2	h	s1	s2	Part Number
90/20	3 x 1/2	2.250	1.250	0.500	0.110	0.075	5436332
90/25	3 x 3/4	2.250	1.250	0.500	0.110	0.075	5436333
90/32	3 x 1	2.250	1.250	0.500	0.110	0.094	5436336
90/40	3 x 1-1/4	2.250	1.250	0.500	0.110	0.094	5436335
90/50	3 x 1-1/2	2.250	1.250	0.500	0.110	0.118	5436337
110/20	4 x 1/2	2.250	1.250	0.500	0.135	0.075	5436399
110/25	4 x 3/4	2.250	1.250	0.500	0.135	0.075	5436404
110/32	4 x 1	2.250	1.250	0.500	0.135	0.094	5436401
110/40	4 x 1-1/4	2.250	1.250	0.500	0.135	0.094	5436412
110/50	4 x 1-1/2	2.250	1.250	0.500	0.135	0.118	5436415
160/32	6 x 1	2.250	1.250	0.500	0.193	0.094	5436516
200/63	8 x 2	2.250	1.250	0.500	0.244	0.118	5436581
200/90	8 x 3	2.250	1.250	0.500	0.244	0.169	5436582
200/110	8 x 4	2.250	1.250	0.500	0.244	0.209	5436583
200/160	8 x 6	2.250	1.250	0.500	0.244	0.303	5436585
OD		Dimensions			SDR 33 *		
mm	inch	L	L2	h	s1	s2	Part Number
200/90	8 x 3	2.250	1.250	0.500	0.244	0.110	5438582
200/110	8 x 4	2.250	1.250	0.500	0.244	0.135	5438583
200/160	8 x 6	2.250	1.250	0.500	0.244	0.193	5438585

Machined items are non-returnable / non-cancelable.

\*Consult Asahi/America for pressure rating.

Note: Larger sizes available.

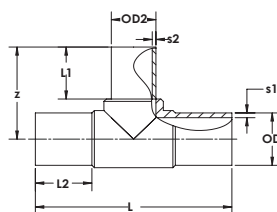
Custom sizes are also available.



### STEPPED CONCENTRIC REDUCER

Size		Dimensions			SDR 21 / PN 16 / 230 PSI		SDR 33 / PN 10 / 150 PSI	
mm	inch	L	s1	s2	Weight (lbs)	Part Number	Weight (lbs)	Part Number
63/16	2 x 3/8	2.205	0.108	0.075	0.38	5437247	-	-
110/63	4 x 2	2.559	0.209	0.118	0.42	5437420	-	-
160/110	6 x 4	3.346	0.193	0.134	-	-	0.38	5437532
225/160	9 x 6	3.819	0.272	0.193	-	-	0.78	5437585
315/225	12 x 9	5.394	0.382	0.272	-	-	1.97	5437670

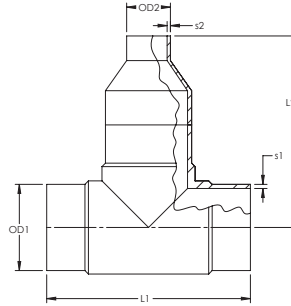
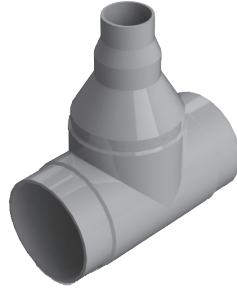
Stepped concentric reducer contains all sizes within the range.  
Spigot ends are short allowing for one tight weld.  
Can not be use with beadless welds.



### REDUCING TEE

Size		Dimensions						SDR 21 / PN 16 / 230 PSI	
mm	inch	z	L	L1	L2	s1	s2	Weight (lbs)	Part Number
63/20	2 x 1/2	2.953	5.906	1.142	1.102	0.118	0.075	0.454	5422246
63/25	2 x 3/4	2.953	5.906	1.142	1.102	0.118	0.075	0.454	5422248
63/32	2 x 1	2.913	5.866	1.102	1.063	0.118	0.094	0.51	5422249
63/50	2 x 1-1/2	2.776	5.000	1.220	1.220	0.118	0.118	0.42	5422251
90/63	3 x 2	5.079	10.354	2.953	2.559	0.169	0.118	1.81	5422338
110/63	4 x 2	5.906	12.283	3.346	2.559	0.209	0.118	2.87	5422420
110/90	4 x 3	5.906	12.323	3.425	2.953	0.209	0.169	3.22	5422422
160/63	6 x 2	6.890	13.228	3.937	2.559	0.303	0.118	6.42	5422530
160/90	6 x 3	7.205	13.701	3.819	2.756	0.303	0.169	7.41	5422531
160/110	6 x 4	7.283	13.583	3.780	3.189	0.303	0.209	7.98	5422532
225/110	9 x 4	6.693	13.780	1.417	2.638	0.425	0.209	12.69	5422607
Size		Dimensions						SDR 33 X SDR 21 / PN 10 / 150 PSI	
mm	inch	z	L	L1	L2	s1	s2	Weight (lbs)	Part Number
90/63	3 x 2	5.079	10.354	2.953	2.559	0.110	0.118	1.39	5420338
110/63	4 x 2	5.906	12.402	3.346	2.559	0.134	0.118	2.03	5420420
160/63	6 x 2	6.890	13.583	3.937	2.559	0.193	0.118	4.70	5420530
160/90	6 x 3	7.205	13.701	3.819	2.756	0.193	0.169	5.67	5420531
160/110	6 x 4	7.283	13.661	3.780	3.189	0.193	0.209	6.50	5420532
225/90	9 x 3	6.890	13.780	1.319	2.559	0.272	0.169	9.66	5420604
225/110	9 x 4	6.693	13.780	1.417	2.638	0.272	0.209	9.30	5420607
Size		Dimensions						SDR 33 / PN 10 / 150 PSI	
mm	inch	z	L	L1	L2	s1	s2	Weight (lbs)	Part Number
110/90	4 x 3	5.906	12.323	3.425	2.953	0.134	0.110	2.36	5431422
160/90	6 x 3	7.205	13.701	3.780	2.756	0.193	0.110	4.37	5431531
160/110	6 x 4	7.283	13.740	3.819	3.150	0.193	0.134	6.22	5431532
225/160	9 x 6	6.693	13.780	1.772	2.559	0.272	0.193	9.981	5431606

Tee run must be trimmed to fit in SP 110-S welding equipment when welding branch.



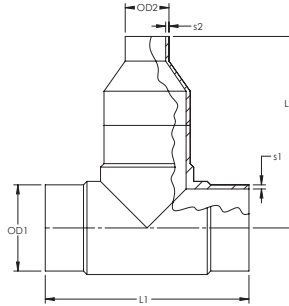
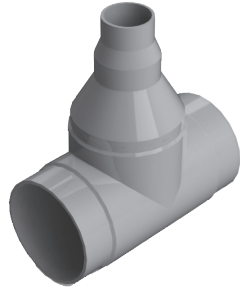
## FABRICATED REDUCING TEE

Size		Dimensions		SDR 21 / PN 16 / 230 PSI		Part Number
mm	inch	L1	L2*	s1	s2	
25 x 20	3/4 x 1/2	3.15	3.15	0.094	0.075	5422101
32 x 20	1 x 1/2	3.50	3.15	0.094	0.075	5422130
32 x 25	1 x 3/4	3.50	3.50	0.094	0.094	5422131
40 x 20	1-1/4 x 1/2	4.49	4.15	0.118	0.075	5422166
40 x 25	1-1/4 x 3/4	4.49	4.15	0.118	0.075	5422167
40 x 32	1-1/4 x 1	4.49	3.75	0.118	0.094	5422168
50 x 20	1-1/2 x 1/2	4.72	3.75	0.118	0.094	5422208
50 x 25	1-1/2 x 3/4	4.72	3.75	0.118	0.075	5422210
50 x 32	1-1/2 x 1	4.72	3.75	0.118	0.075	5422211
50 x 40	1-1/2 x 1-1/4	4.72	3.9	0.118	0.094	5422212
63 x 25	2 x 3/4	-	-	-	-	<i>Molded Available!</i>
63 x 32	2 x 1	-	-	-	-	<i>Molded Available!</i>
63 x 40	2 x 1-1/4	5.86	4.30	0.142	0.094	5422250
63 x 50	2 x 1-1/2	-	-	-	-	<i>Molded Available!</i>
75 x 50	2-1/2 x 1-1/2	6.85	6.60	0.142	0.118	5422291
75 x 63	2-1/2 x 2	6.85	6.60	0.169	0.075	5422292
90 x 50	3 x 1-1/2	7.13	6.68	0.169	0.075	5422332
90 x 63	3 x 2	-	-	-	-	<i>Molded Available!</i>
90 x 75	3 x 2-1/2	7.13	7.19	0.169	0.094	5422339
110 x 63	4 x 2	-	-	-	-	<i>Molded Available!</i>
110 x 90	4 x 3	-	-	-	-	<i>Molded Available!</i>
160 x 110	6 x 4	-	-	-	-	<i>Molded Available!</i>
225 x 160	9 x 6	19.61	16.00	0.264	0.094	5422606
250 x 160	10 x 6	19.69	16.80	0.264	0.094	5422627
250 x 225	10 x 9	19.69	16.76	0.134	0.118	5422629
315 x 160	12 x 6	21.85	16.80	0.591	0.303	-
315 x 250	12 x 10	21.85	17.79	0.591	0.469	-

Fabricated from molded tee and molded reducer, non-returnable / non cancelable.

Multiple configurations available, consult factory for pricing.

\*Fabricated dimension tolerance +/- 1/4".



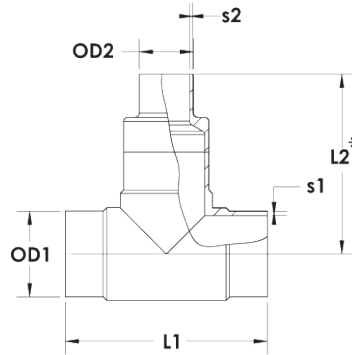
**FABRICATED REDUCING TEE**

Size		Dimensions		SDR 33 / PN 10 / 150 PSI		
mm	inch	L1	L2*	s1	s2	Part Number
110 x 90	4 x 3	-	-	-	-	<i>Molded Available!</i>
160 x 110	6 x 4	-	-	-	-	<i>Molded Available!</i>
225 x 160	9 x 6	-	-	-	-	<i>Molded Available!</i>
250 x 160	10 x 6	3.937	3.339	0.094	0.075	5431627
250 x 225	10 x 9	3.937	3.339	0.094	0.094	5431629
315 x 160	12 x 6	4.724	3.456	0.118	0.075	5431659
315 x 250	12 x 10	4.724	3.456	0.118	0.075	5431630

Fabricated from molded tee and molded reducer, non-returnable / non cancelable.

Multiple configurations available, consult factory for pricing.

\*Fabricated dimension tolerance +/- 1/4".



## FABRICATED FLUSH REDUCING TEE

Size		Dimensions		SDR 21 *		
mm	inch	L1	L2*	s1	s2	Part Number
40/20	1-1/4 x 1/2	3.937	4.00	0.094	0.075	5435166
40/25	1-1/4 x 3/4	3.937	4.00	0.094	0.075	5435167
40/32	1-1/4 x 1	3.937	4.00	0.094	0.094	5435168
50/20	1-1/2 x 1/2	4.724	4.25	0.118	0.075	5435208
50/25	1-1/2 x 3/4	4.724	4.25	0.118	0.075	5435210
50/32	1-1/2 x 1	4.724	4.25	0.118	0.094	5435211
50/40	1-1/2 x 1-1/4	4.724	4.25	0.118	0.094	5435212
63/20	2 x 1/2	5.866	5.00	0.118	0.075	5435246
63/25	2 x 3/4	5.866	5.00	0.118	0.075	5435248
63/40	2 x 1-1/4	5.866	5.00	0.118	0.094	5435250
63/50	2 x 1-1/2	5.866	5.00	0.118	0.118	5435251
75/32	2-1/2 x 1	6.850	5.50	0.142	0.094	5435289
75/40	2-1/2 x 1-1/4	6.850	5.50	0.142	0.094	5435290
75/50	2-1/2 x 1-1/2	6.850	5.50	0.142	0.118	5435291
75/63	2-1/2 x 2	6.850	5.50	0.142	0.118	5435292
90/20	3 x 1/2	7.126	5.50	0.169	0.075	5435332
90/25	3 x 3/4	7.126	5.50	0.169	0.075	5435333
90/32	3 x 1	7.126	5.50	0.169	0.094	5435336
90/40	3 x 1-1/4	7.126	5.50	0.169	0.094	5435335
90/50	3 x 1-1/2	7.126	6.25	0.169	0.118	5435337
110/20	4 x 1/2	8.780	6.25	0.134	0.075	5435399
110/25	4 x 3/4	8.780	6.25	0.264	0.075	5435404
110/32	4 x 1	8.780	6.25	0.264	0.094	5435401
110/40	4 x 1-1/4	8.780	6.25	0.264	0.094	5435412
110/50	4 x 1-1/2	8.780	6.25	0.134	0.118	5435415

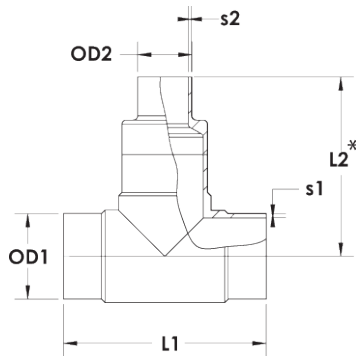
Fabricated from molded tee and molded reducer, non-returnable / non cancelable.

Multiple configurations available, consult factory for pricing.

\*Fabricated dimension tolerance +/- 1/4".

\*Consult Asahi/America for pressure rating.





### FABRICATED FLUSH REDUCING TEE

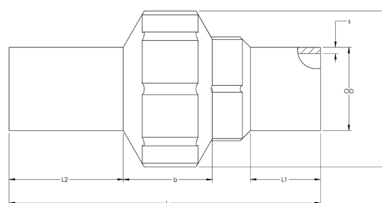
Size		Dimensions				SDR 33 x SDR 21 *	SDR 33 *		
mm	inch	L1	L2*	s1	s2	Part Number	s1	s2	Part Number
90/20	3 x 1/2	7.126	5.50	0.110	0.075	5425332	-	-	-
90/25	3 x 3/4	7.126	5.50	0.110	0.075	5425333	-	-	-
90/32	3 x 1	7.126	5.50	0.110	0.094	5425336	-	-	-
90/40	3 x 1-1/4	7.126	5.50	0.110	0.094	5425335	-	-	-
90/50	3 x 1-1/2	7.126	5.50	0.110	0.118	5425337	-	-	-
110/20	4 x 1/2	8.780	6.25	0.135	0.075	5425399	-	-	-
110/25	4 x 3/4	8.780	6.25	0.135	0.075	5425404	-	-	-
110/32	4 x 1	8.780	6.25	0.135	0.094	5425401	-	-	-
110/40	4 x 1-1/4	8.780	6.25	0.135	0.094	5425412	-	-	-
110/50	4 x 1-1/2	8.780	6.25	0.135	0.118	5425415	-	-	-
160/32	6 x 1	10.864	7.50	0.195	0.094	5425516	-	-	-
200/63	8 x 2	17.569	10.75	0.244	0.118	5425581	-	-	-
200/90	8 x 3	17.569	10.75	0.244	0.169	5425582	0.244	0.110	5432582
200/110	8 x 4	17.569	10.75	0.244	0.264	5425583	0.244	0.135	5432583
200/160	8 x 6	17.569	10.75	0.244	0.303	5425585	0.244	0.195	5432585

Fabricated from molded tee and molded reducer, non-returnable / non-cancelable.

Multiple configurations available, consult factory for pricing.

\*Fabricated dimension tolerance +/- 1/4".

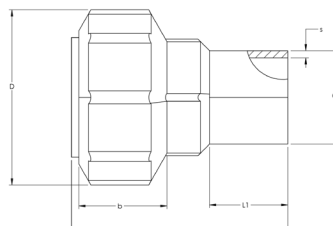
\*Consult Asahi/America for pressure rating.



### UNION

Size		Dimensions						SDR 21 / PN 16 / 230 PSI		
mm	inch	s	L	L1	L2	d	b	FKM O-Rings		PTFE O-Rings*
								Weight (lbs)	Part Number	Part Number
20	1/2	0.075	4.173	1.063	1.496	1.693	0.906	0.20	5434005	5405005
25	3/4	0.075	4.409	1.063	1.575	2.087	0.984	0.29	5434007	5405007
32	1	0.094	4.724	1.063	1.732	2.362	1.063	0.40	5434010	5405010
40	1-1/4	0.094	4.882	1.063	1.850	2.953	1.181	0.62	5434012	5405012
50	1-1/2	0.118	5.197	1.063	1.850	3.228	1.378	0.82	5434015	5405015
63	2	0.118	5.394	1.063	1.850	3.937	1.476	1.26	5434020	5405020
75	2-1/2	0.142	5.197	1.102	1.457	5.118	1.575	1.85	5434025	5405025
90	3	0.169	5.118	1.339	2.165	5.118	1.575	1.68	5434030	5405030

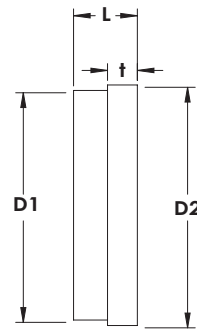
\*PTFE O-ring unions are fabricated items, non-returnable / non-cancelable.



### PVDF UNION HALF WITH BLANK

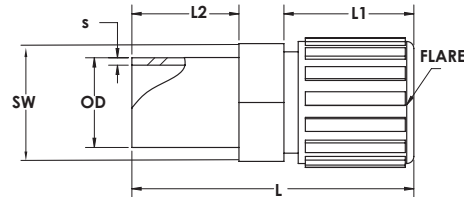
Size		Dimensions					SDR 21 / PN 16 / 230 PSI	
mm	inch	s	L	L1	d	b	Part Number	
20	1/2	0.075	2.559	1.063	1.693	0.906	5495005	
25	3/4	0.075	2.697	1.063	2.087	0.984	5495007	
32	1	0.094	2.953	1.063	2.362	1.063	5495010	
40	1-1/4	0.094	2.953	1.063	2.953	1.181	5495012	
50	1-1/2	0.118	3.228	1.063	3.228	1.378	5495015	
63	2	0.118	3.327	1.063	3.937	1.476	5495020	

Union blanks are a machined item, non-returnable / non-cancelable.



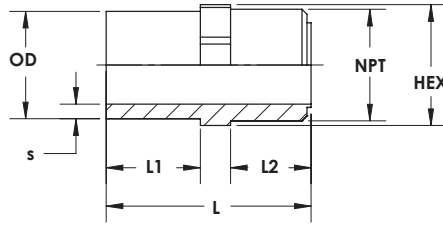
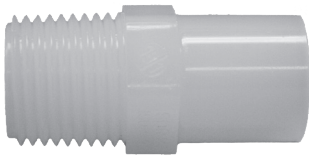
**PVDF UNION BLANK\* (Green)**

Size		Dimensions				SDR 21 / PN 16 / 230 PSI
mm	inch	D1	D2	L	t	Part Number
20	1/2	1.060	1.170	0.440	0.190	5423005
25	3/4	1.420	1.500	0.425	0.175	5423007
32	1	1.615	1.755	0.560	0.188	5423010
40	1-1/4	2.060	2.200	0.490	0.240	5423012
50	1-1/2	2.300	2.460	0.650	0.280	5423015
63	2	2.90	3.070	0.860	0.300	5423020



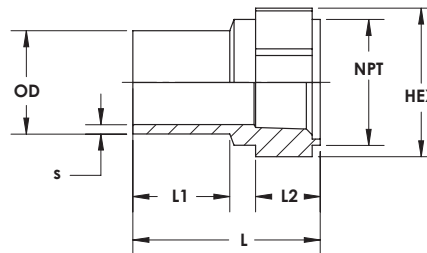
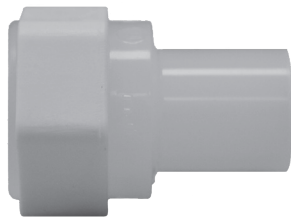
**FLARE ADAPTER**

Size		Dimensions						SDR 21 / PN 16 / 230 PSI
mm	inch	Flare	s	L	L1	L2	SW	Part Number
20	1/2	1/4	0.075	3.190	1.142	1.500	0.945	5406096
20	1/2	3/8	0.075	3.310	1.260	1.500	0.945	5406098
20	1/2	1/2	0.075	3.400	1.260	1.500	1.063	5406005
25	3/4	1/4	0.075	3.400	1.260	1.500	1.063	5406103
25	3/4	3/8	0.075	3.360	1.260	1.500	1.181	5406106
25	3/4	1/2	0.075	3.400	1.300	1.500	1.181	5406101
25	3/4	3/4	0.075	3.560	1.456	1.500	1.181	5406007
25	3/4	1	0.094	3.390	1.260	1.500	1.614	5406132
32	1	3/8	0.094	3.390	1.260	1.500	1.614	5406105
32	1	1/2	0.094	3.430	1.260	1.500	1.614	5406130
32	1	3/4	0.094	3.590	1.456	1.500	1.614	5406131
32	1	1	0.094	3.860	1.732	1.500	1.614	5406010
40	1-1/4	1/2	0.094	3.428	1.260	1.500	1.614	5406166



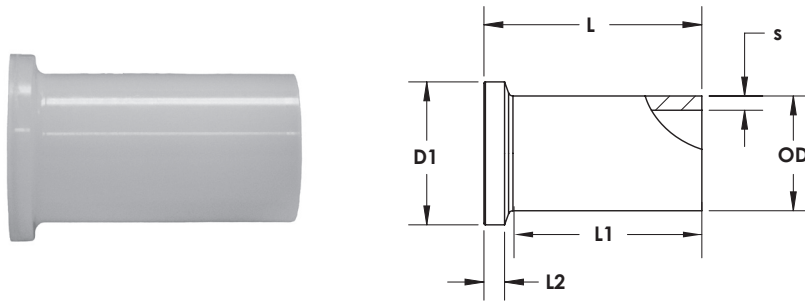
### MALE ADAPTER

Size		Dimensions						SDR 21 / PN 16 / 230 PSI	
mm	inch	s	L	L1	L2	HEX	NPT	Weight (lbs)	Part Number
20	1/2	0.075	1.811	0.787	0.709	0.866	1/2	0.04	5447005
25	3/4	0.075	2.008	0.906	0.787	1.063	3/4	0.04	5447007
32	1	0.094	2.402	1.142	0.906	1.417	1	0.09	5447010
40	1-1/4	0.094	2.598	1.142	1.063	1.811	1-1/4	0.15	5447012
50	1-1/2	0.118	2.913	1.299	1.142	2.165	1-1/2	0.22	5447015
63	2	0.118	3.150	1.378	1.220	2.559	2	0.33	5447020



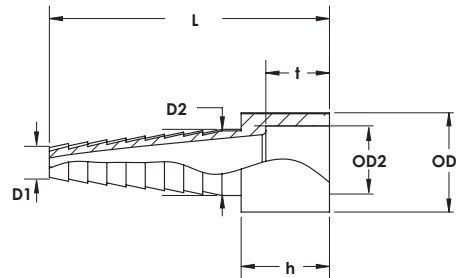
### FEMALE ADAPTER

Size		Dimensions						SDR 21 / PN 16 / 230 PSI	
mm	inch	s	L	L1	L2	HEX	NPT	Weight (lbs)	Part Number
20	1/2	0.075	1.811	0.787	0.630	1.260	1/2	0.07	5449005
25	3/4	0.075	2.008	0.906	0.709	1.614	3/4	0.12	5449007
32	1	0.094	2.283	1.142	0.787	1.811	1	0.16	5449010
40	1-1/4	0.094	2.441	1.181	0.945	2.165	1-1/4	0.20	5449012
50	1-1/2	0.118	2.677	1.339	0.945	2.756	1-1/2	0.37	5449015
63	2	0.118	2.953	1.378	1.102	3.346	2	0.59	5449020



**SANITARY ADAPTER**

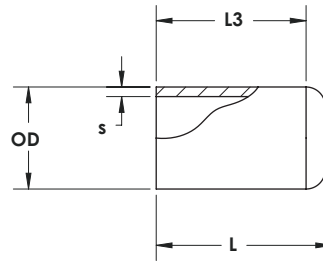
Size			Dimensions					SDR 21 / MOP 120 PSI	
mm	inch	Sanitary	s	L	L1	L2	D1	Part Number	
20	1/2	3/4"	0.098	1.500	1.30	0.142	0.984	5445101	
25	3/4	1"	0.106	1.500	1.16	0.110	1.984	5445131	
32	1	1-1/2"	0.114	1.500	0.75	0.110	1.984	5445168	
40	1-1/4	1-1/2"	0.146	1.500	1.25	0.110	1.984	5445212	
50	1-1/2	2"	0.181	1.500	1.25	0.110	2.490	5445251	
63	2	2-1/2"	0.228	1.500	1.25	0.110	2.990	5445292	



**HOSE BARB\***

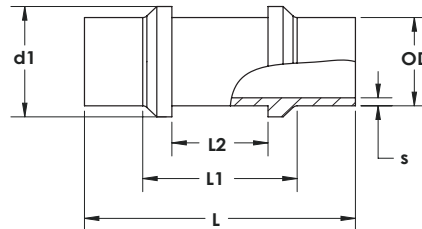
Size			Dimensions					SDR 21 / PN 10 / 150 PSI	
Outlet	OD1	OD2	L	h	t	D1	D2	Part Number	
1/4"	25 mm	20 mm	2.778	0.875	0.656	1/4	1/2	840704010	

This fitting is designed to be socket welded to 20mm (1/2") or butt welded to 25mm (3/4").  
 \*Hose barb is 1/4" - 1/2".



**END CAP**

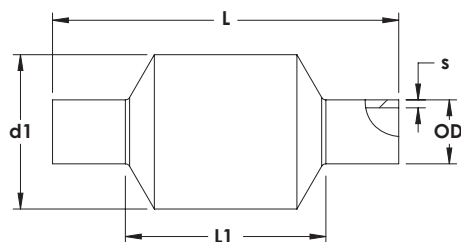
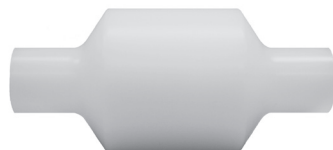
Size		Dimensions			SDR 21 / PN 16 / 230 PSI			SDR 33 / PN 10 / 150 PSI		
mm	inch	L	L3	s	Weight (lbs)	Part Number	s	Weight (lbs)	Part Number	
20	1/2	1.773	1.615	0.075	0.022	5443005	-	-	-	
25	3/4	1.931	1.615	0.075	0.044	5443007	-	-	-	
32	1	2.206	1.773	0.094	0.066	5443010	-	-	-	
40	1-1/4	2.522	1.970	0.094	0.088	5443012	-	-	-	
50	1-1/2	2.876	2.364	0.118	0.176	5443015	-	-	-	
63	2	3.388	2.679	0.118	0.264	5443020	-	-	-	
75	2-1/2	3.664	2.955	0.142	0.396	5443025	-	-	-	
90	3	4.334	3.310	0.169	0.660	5444030	0.110	0.46	5443030	
110	4	4.925	3.901	0.209	1.056	5444040	0.134	0.64	5443040	



**RESTRAINT FITTING**

Size		Dimensions				SDR 21 / PN 16 / 230 PSI			SDR 33 / PN 10 / 150 PSI		
mm	inch	L	L1	L2	d1	s	Weight (lbs)	Part Number	s	Weight (lbs)	Part Number
20	1/2	3.700	2.090	1.280	1.100	0.075	0.684	5461005*	-	-	-
25	3/4	3.700	2.090	1.280	1.300	0.075	0.573	5461007*	-	-	-
32	1	4.724	2.088	1.280	2.126	0.094	0.132	5461010	-	-	-
40	1-1/4	3.700	2.090	1.280	1.890	0.094	0.882	5461012*	-	-	-
50	1-1/2	4.500	2.090	1.280	2.280	0.118	0.904	5461015*	-	-	-
63	2	4.724	1.970	1.280	3.307	0.118	0.440	5461020	-	-	-
75	2-1/2	5.110	2.760	1.575	3.430	0.142	1.433	5461025*	-	-	-
90	3	5.866	2.758	1.575	4.134	0.169	0.968	5461030	0.110	0.75	5471030
110	4	5.906	2.758	1.575	5.000	0.209	1.452	5461040	0.134	1.14	5471040
160	6	6.220	3.940	2.362	7.008	0.303	3.102	5461060	0.193	2.29	5471060

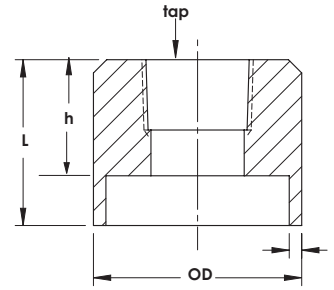
Restraint fittings are a machined item, non-returnable / non-cancelable.



## INSTRUMENTATION FITTING

Size		Description	Dimensions			SDR 21 / PN 16 / 230 PSI			SDR 33 / PN 10 / 150 PSI		
mm	inch		L	L1	d1	s	Weight (lbs)	Part Number	s	Weight (lbs)	Part Number
20	1/2	Solid	4.724	1.969	1.969	0.075	0.684	5499005	-	-	-
20	1/2	1/4" Tap	4.724	1.969	1.969	0.075	0.684	5499096	-	-	-
25	3/4	Solid	4.724	1.969	2.165	0.075	0.573	5499007	-	-	-
25	3/4	1/4" Tap	4.724	1.969	2.165	0.075	0.573	5499103	-	-	-
32	1	Solid	4.724	1.969	2.362	0.094	0.595	5499010	-	-	-
32	1	1/4" Tap	4.724	1.969	2.362	0.094	0.595	5499104	-	-	-
32	1	1/2" Tap	4.724	1.969	2.362	0.094	0.595	5499130	-	-	-
40	1-1/4	Solid	4.724	1.969	2.953	0.094	0.882	5499012	-	-	-
40	1-1/4	1/4" Tap	4.724	1.969	2.953	0.094	0.882	5499159	-	-	-
40	1-1/4	1/2" Tap	4.724	1.969	2.953	0.094	0.882	5499166	-	-	-
50	1-1/2	Solid	4.724	1.969	3.150	0.118	0.904	5499015	-	-	-
50	1-1/2	1/4" Tap	4.724	1.969	3.150	0.118	0.904	5499207	-	-	-
50	1-1/2	1/2" Tap	4.724	1.969	3.150	0.118	0.904	5499208	-	-	-
63	2	Solid	4.724	2.047	3.307	0.118	0.860	5499020	-	-	-
63	2	1/4" Tap	4.724	2.047	3.307	0.118	0.860	5499244	-	-	-
63	2	1/2" Tap	4.724	2.047	3.307	0.118	0.860	5499246	-	-	-
75	2-1/2	Solid	4.724	1.969	4.134	0.142	1.433	5499025	-	-	-
75	2-1/2	1/4" Tap	4.724	1.969	4.134	0.142	1.433	5499283	-	-	-
75	2-1/2	1/2" Tap	4.724	1.969	4.134	0.142	1.433	5499285	-	-	-
90	3	Solid	5.866	2.362	4.134	0.169	1.367	5492030	0.110	1.21	5499030
90	3	1/4" Tap	5.866	2.362	4.134	0.169	1.367	5492330	0.110	1.21	5499330
90	3	1/2" Tap	5.866	2.362	4.134	0.169	1.367	5492332	0.110	1.21	5499332
110	4	Solid	5.906	2.362	4.882	0.209	1.830	5492040	0.134	1.52	5499040
110	4	1/4" Tap	5.906	2.362	4.882	0.209	1.830	5492402	0.134	1.52	5499402
110	4	1/2" Tap	5.906	2.362	4.882	0.209	1.830	5492399	0.134	1.52	5499399
160	6	Solid	6.220	3.071	7.008	0.303	4.013	5492060	0.193	3.33	5499060
160	6	1/4" Tap	6.220	3.071	7.008	0.303	4.013	5492509	0.193	3.33	5499509
160	6	1/2" Tap	6.220	3.071	7.008	0.303	4.013	5492512	0.193	3.33	5499512

Instrumentation fittings are a machined item, non-returnable / non-cancelable.  
Custom fittings available, consult Asahi/America.

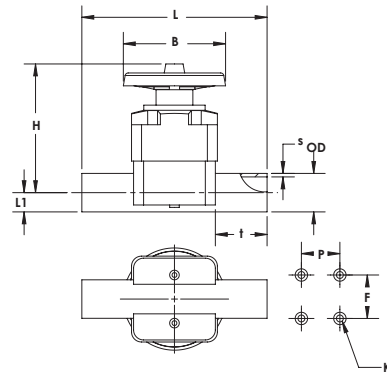
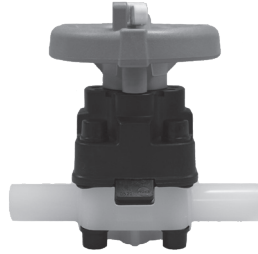


## PROBE ADAPTER

Size		Description	Dimensions			SDR 21 / PN 16 / 230 PSI	SDR 33 / PN 10 / 150 PSI	
mm	inch		h	L	s	Part Number	s	Part Number
20	1/2	Solid	1.00	1.50	0.075	5466005	-	-
20	1/2	1/4" Tap	1.00	1.50	0.075	5466096	-	-
25	3/4	Solid	1.00	1.50	0.075	5466007	-	-
25	3/4	1/4" Tap	1.00	1.50	0.075	5466103	-	-
32	1	Solid	1.00	1.50	0.094	5466010	-	-
32	1	1/4" Tap	1.00	1.50	0.094	5466104	-	-
32	1	1/2" Tap	1.00	1.50	0.094	5466130	-	-
40	1-1/4	Solid	1.00	1.50	0.094	5466012	-	-
40	1-1/4	1/4" Tap	1.00	1.50	0.094	5466159	-	-
40	1-1/4	1/2" Tap	1.00	1.50	0.094	5466166	-	-
50	1-1/2	Solid	1.00	1.50	0.118	5466015	-	-
50	1-1/2	1/4" Tap	1.00	1.50	0.118	5466207	-	-
50	1-1/2	1/2" Tap	1.00	1.50	0.118	5466208	-	-
63	2	Solid	1.00	1.50	0.118	5466020	-	-
63	2	1/4" Tap	1.00	1.50	0.118	5466244	-	-
63	2	1/2" Tap	1.00	1.50	0.118	5466246	-	-
75	2-1/2	Solid	1.00	1.50	0.141	5466025	-	-
75	2-1/2	1/4" Tap	1.00	1.50	0.141	5466283	-	-
75	2-1/2	1/2" Tap	1.00	1.50	0.141	5466285	-	-
90	3	Solid	1.00	1.50	0.169	5469030	0.110	5466030
90	3	1/4" Tap	1.00	1.50	0.169	5469330	0.110	5466330
90	3	1/2" Tap	1.00	1.50	0.169	5469332	0.110	5466332
110	4	Solid	1.00	1.50	0.209	5469040	0.134	5466040
110	4	1/4" Tap	1.00	1.50	0.209	5469402	0.134	5466402
110	4	1/2" Tap	1.00	1.50	0.209	5469399	0.134	5466399

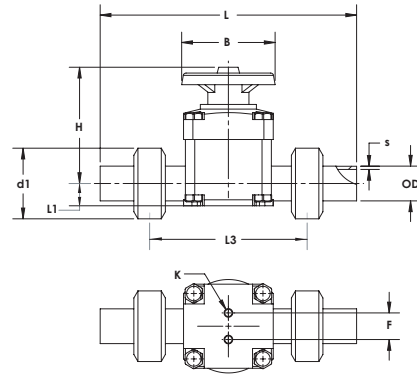
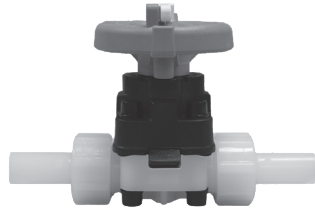
Probe adapters are a machined item, non-returnable / non-cancelable.





**T-342 DIAPHRAGM VALVE**

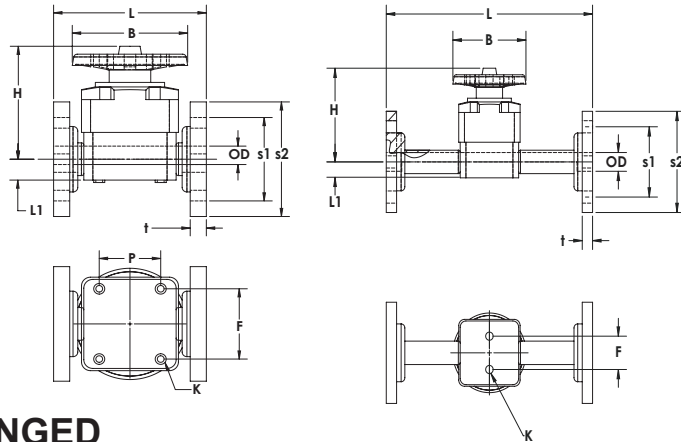
Size		Dimensions									SDR 21 / PN 10 / 150 PSI	
mm	inch	s	L	L1	H	B	t	F	P	K	Weight (lbs)	PTFE Part Number
20	1/2	0.075	5.236	0.650	3.937	3.346	1.417	0.965	-	M6	1.10	1131005
25	3/4	0.075	5.699	0.650	3.937	3.346	1.417	0.965	-	M6	1.12	1131007
32	1	0.094	6.063	0.807	4.213	3.346	1.417	0.965	-	M6	1.61	1131010
40	1-1/4	0.094	7.598	1.004	5.669	5.315	1.811	1.732	-	M8	3.48	1131012
50	1-1/2	0.118	7.638	1.26	5.669	5.315	1.811	1.732	-	M8	3.67	1131015
63	2	0.118	8.819	1.516	6.693	5.315	2.126	1.732	-	M8	5.39	1131020
75	2-1/2	0.142	11.181	0.984	10.000	9.213	1.457	9.055	-	M12	12.6	1131025
90	3	0.169	11.811	0.984	10.000	9.213	1.457	9.055	-	M12	13.1	1131030
110	4	0.209	13.386	0.984	12.598	9.213	1.969	11.024	3.350	M12	23.9	1131040



**T-342 DIAPHRAGM VALVE - TRUE UNION**

Size		Dimensions									SDR 21 / PN 10 / 150 PSI	
mm	inch	s	L	L1	L3	H	B	d1	F	K	Weight (lbs)	Part Number
20	1/2	0.075	7.795	0.650	3.543	3.386	1.870	3.937	0.957	M6	1.10	1164005*
25	3/4	0.075	8.740	0.650	4.252	3.386	2.283	3.937	0.957	M6	1.12	1164007
32	1	0.974	9.291	0.791	4.567	3.386	2.559	4.213	0.957	M6	1.61	1164010
40	1-1/4	0.094	10.236	1.004	5.276	5.354	3.110	5.669	1.732	M8	3.48	1164012
50	1-1/2	0.118	11.260	1.240	6.063	5.354	3.543	5.669	1.732	M8	3.67	1164015
63	2	0.118	12.677	1.516	7.244	5.354	4.331	6.693	1.732	M8	5.39	1164020

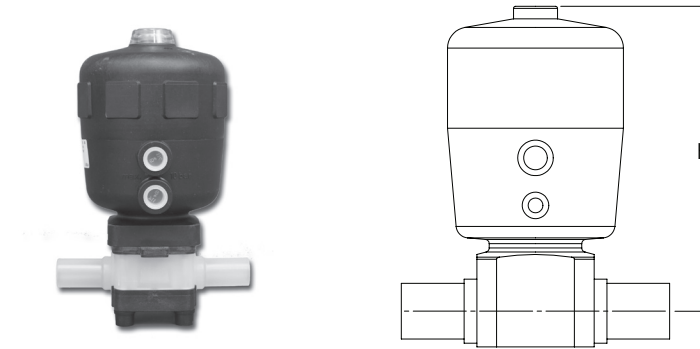
\*Special order item, non-returnable/noncancelable



**T-342 DIAPHRAGM VALVE - FLANGED**

Size		Dimensions										SDR 21 / PN 10 / 150 PSI	
mm	inch	s1	s2	L	L1	H	B	t	F	P	K	Weight (lbs)	Part Number
20	1/2	2.561	3.743	8.668	0.670	3.940	3.349	0.473	0.957	-	M6	2.36	1181005*
25	3/4	2.955	4.255	9.456	0.670	3.940	3.349	0.473	0.957	-	M6	2.71	1181007*
32	1	3.349	4.531	9.850	0.827	4.216	3.349	0.630	0.957	-	M6	3.79	1181010*
40	1-1/4	3.503	5.516	7.092	1.005	5.674	5.348	0.749	1.005	-	M8	4.94	1181012
50	1-1/2	3.877	5.910	7.880	1.261	5.674	5.358	0.906	1.261	-	M8	5.73	1181015
63	2	4.728	6.501	9.062	1.517	6.698	5.358	0.985	1.517	-	M8	8.44	1181020
75	2-1/2	5.713	7.368	14.972	0.985	10.008	9.220	0.709	9.062	-	M12	19.0	1181025*
90	3	5.910	7.880	12.214	0.985	10.008	9.220	1.418	0.985	-	M12	17.5	1181030
110	4	6.895	8.983	13.790	0.985	12.608	9.220	1.379	0.985	3.350	M12	30.6	1181040

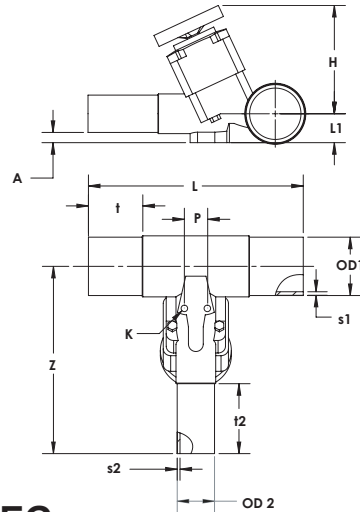
\*Special order item, non-returnable/noncancelable



### T-342 DIAPHRAGM VALVE

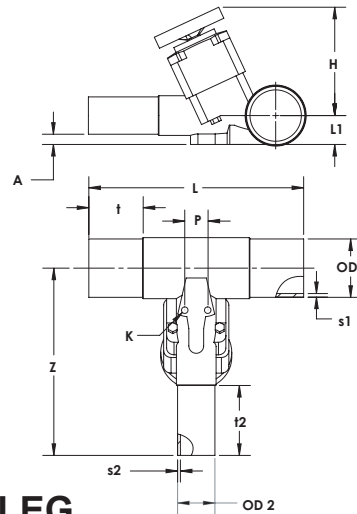
Size		Dimensions	PTFE DIAPHRAGM - SDR 21 / PN 10 / 150 PSI		
mm	inch	H	A-S NC Part Number	A-S NO Part Number	A-A Part Number
20	1/2	6.69	1340005	1349005	1339005
25	3/4	6.69	1340007	1349007	1339007
32	1	6.89	1340010	1349010	1339010
40	1-1/4	10.75	1340012	1349012	1339012
50	1-1/2	10.75	1340015	1349015	1339015
63	2	10.91	1340020	1349020	1339020

Pricing and part numbers are for actuated versions of standard spigot model.  
 Consult factory for pricing on true union or flanged actuated valves.  
 Actuated 342 valves are non-returnable / non-cancelable.



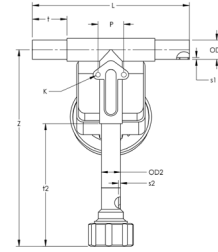
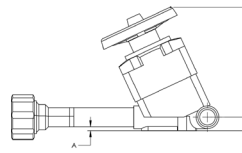
**T-343 DIAPHRAGM VALVE ZERO DEAD LEG**

Size		Dimensions											SDR 21 / PN 10 / 150 PSI	
mm	inch	s1	s2	L	L1	Z	H	A	t	t2	P	K	Weight (lbs)	Part number
20 X 20	1/2 X 1/2	0.075	0.075	6.457	0.512	5.669	4.646	0.787	1.417	2.638	0.984	M6	1.36	1246005
25 X 20	3/4 X 1/2	0.075	0.075	6.457	0.551	5.669	4.646	0.787	1.417	2.638	0.984	M6	1.32	1246101
25 X 25	3/4 X 3/4	0.075	0.075	6.457	0.591	5.591	4.646	0.787	1.417	2.756	0.984	M6	1.34	1246007
32 X 20	1 X 1/2	0.094	0.075	6.457	0.669	5.906	5.039	0.787	1.417	2.283	0.984	M6	1.96	1246130
32 X 25	1 X 3/4	0.094	0.075	6.457	0.669	5.906	5.039	0.787	1.417	2.362	0.984	M6	1.96	1246131
32 X 32	1 X 1	0.094	0.094	7.244	0.709	5.039	5.039	0.787	1.417	2.402	0.984	M6	2.04	1246010
40 X 20	1-1/4 X 1/2	0.094	0.075	7.244	0.827	6.102	5.039	0.787	1.811	2.283	0.984	M6	2.09	1246166
40 X 25	1-1/4 X 3/4	0.094	0.075	7.244	0.846	6.102	5.039	0.787	1.811	2.362	0.984	M6	2.09	1246167
40 X 32	1-1/4 X 1	0.094	0.094	7.244	0.846	6.102	5.039	0.787	1.811	2.402	0.984	M6	2.02	1246168
40 X 40	1-1/4 X 1-1/4	0.118	0.095	9.259	0.847	9.298	7.447	0.787	1.812	3.664	1.772	M8	5.9	1246012
50 X 20	1-1/2 X 1/2	0.118	0.075	7.244	1.043	6.319	5.039	0.787	1.811	2.323	0.984	M6	2.29	1246208
50 X 25	1-1/2 X 3/4	0.118	0.075	7.244	1.043	6.319	5.039	0.787	1.811	2.362	0.984	M6	2.27	1246210
50 X 32	1-1/2 X 1	0.118	0.094	7.244	1.043	6.260	5.039	0.787	1.811	2.402	0.984	M6	2.28	1246211
50 x 40	1-1/2 x 1-1/4	0.118	0.095	9.331	1.83	9.37	7.874	2.244	1.831	3.78	1.772	M6	6.64	1246212
50 x 50	1-1/2 x 1-1/2	0.118	0.118	9.259	1.044	9.377	7.88	0.787	1.812	3.664	1.772	M8	6.56	1246015
63 X 20	2 X 1/2	0.118	0.075	7.244	1.299	6.614	5.039	0.787	1.811	2.283	0.984	M6	2.46	1246246
63 X 25	2 X 3/4	0.118	0.075	7.244	1.299	6.614	5.039	0.787	1.811	2.362	0.984	M6	2.46	1246248
63 X 32	2 X 1	0.118	0.094	7.244	1.299	6.614	5.039	0.787	1.811	2.402	0.984	M6	2.49	1246249
63 x 40	2 x 1-1/4	0.118	0.094	9.252	1.299	9.528	7.835	2.244	1.811	3.484	1.772	M8	7.02	1246250
63 X 50	2 X 1-1/2	0.118	0.118	9.252	1.299	9.528	7.835	2.244	1.811	3.661	1.772	M8	7.04	1246251
63 X 63	2 X 2	0.118	0.118	9.252	1.299	9.528	7.835	2.244	1.811	3.937	1.772	M8	6.95	1246020
75 X 25	2-1/2 X 3/4	0.142	0.075	8.268	0.906	7.047	5.236	1.299	1.299	2.382	0.984	M6	2.84	1246286
75 x 32	2-1/2 x 1	0.142	0.094	8.268	0.906	7.047	5.236	1.299	1.299	2.559	0.984	M6	2.82	1246289
75 X 40	2-1/2 X 1-1/4	0.142	0.094	8.268	1.535	9.764	7.835	2.48	1.299	3.465	1.772	M8	7.17	1246290
75 X 50	2-1/2 X 1-1/2	0.142	0.118	8.268	1.535	9.764	7.835	2.48	1.299	3.661	1.772	M8	7.15	1246291
75 X 63	2-1/2 X 2	0.142	0.118	8.268	1.535	9.764	7.835	2.48	1.299	3.937	1.772	M8	7.08	1246292



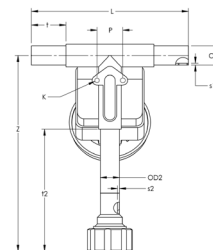
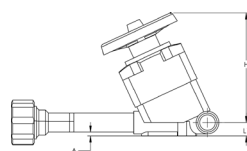
**T-343 DIAPHRAGM VALVE ZERO DEAD LEG**

Size		Dimensions											SDR 21 / PN 10 / 150 PSI	
mm	inch	s1	s2	L	L1	Z	H	A	t	t2	P	K	Weight (lbs)	Part Number
90 x 20	3 x 1/2	0.169	0.075	8.268	0.925	7.402	5.315	1.417	1.299	2.283	0.984	M6	3.30	1246332
90 X 25	3 X 3/4	0.169	0.075	8.268	0.925	7.402	5.315	1.417	1.299	2.382	0.984	M6	3.28	1246333
90 X 32	3 X 1	0.169	0.094	8.268	0.925	7.402	5.315	1.417	1.299	2.52	0.984	M6	3.3	1246336
90 X 40	3 X 1-1/4	0.169	0.094	8.268	1.831	10.039	7.835	2.677	1.299	3.465	1.772	M8	7.55	1246335
90 X 50	3 X 1-1/2	0.169	0.118	8.268	1.831	10.039	7.835	2.559	1.299	3.681	1.772	M8	7.39	1246337
90 X 63	3 X 2	0.169	0.118	8.268	1.831	10.039	7.835	2.559	1.299	3.937	1.772	M8	7.52	1246338
110 x 20	4 x 1/2	0.209	0.075	8.268	1.319	7.677	5.512	1.909	1.299	2.165	0.984	M6	3.94	1246399
110 X 25	4 X 3/4	0.209	0.075	8.268	1.319	7.795	5.512	1.693	1.299	2.264	0.984	M6	3.83	1246404
110 X 32	4 X 1	0.209	0.094	8.268	1.319	7.795	5.512	1.693	1.299	2.402	0.984	M6	3.96	1246401
110 X 40	4 X 1-1/4	0.209	0.094	8.268	2.224	10.512	7.835	2.953	1.299	3.484	1.772	M8	8.29	1246412
110 X 50	4 X 1-1/2	0.209	0.118	8.268	2.224	10.4112	7.835	3.071	1.299	3.681	1.772	M8	8.32	1246415
110 X 63	4 X 2	0.209	0.118	8.268	2.224	10.512	7.835	2.953	1.299	3.937	1.772	M8	8.25	1246420
160 x 32	6 x 1	0.303	0.094	8.346	0.709	8.858	8.071	1.181	2.008	2.441	0.984	M8	5.86	1246516
160 x 40	6 x 1-1/4	0.303	0.095	9.843	1.339	11.417	8.071	2.283	2.126	3.937	1.772	M6	10.99	1246519
160 x 50	6 x 1-1/2	0.303	0.118	9.843	1.339	11.417	8.071	2.283	2.126	3.937	1.772	M6	11.24	1246523
160 x 63	6 x 2	0.303	0.118	9.843	1.339	11.417	8.071	2.283	2.126	3.937	1.772	M8	10.86	1246530
													<b>SDR 33 x SDR 21 / PN 10 / 150 PSI</b>	
90 x 20	3 x 1/2	0.110	0.075	8.268	0.925	7.402	5.315	1.417	1.299	2.283	0.984	M6	2.93	1248332
90 X 25	3 X 3/4	0.110	0.075	8.268	0.925	7.402	5.315	1.417	1.299	2.382	0.984	M6	2.93	1248333
90 X 32	3 X 1	0.110	0.094	8.268	0.925	7.402	5.315	1.417	1.299	2.52	0.984	M6	2.95	1248336
90 X 40	3 X 1-1/4	0.110	0.094	8.268	1.831	10.039	7.835	2.677	1.299	3.465	1.772	M8	7.19	1248335
90 X 50	3 X 1-1/2	0.110	0.118	8.268	1.831	10.039	7.835	2.559	1.299	3.681	1.772	M8	7.44	1248337
90 X 63	3 X 2	0.110	0.118	8.268	1.831	10.039	7.835	2.559	1.299	3.937	1.772	M8	7.13	1248338
110 x 20	4 x 1/2	0.134	0.075	8.268	1.319	7.559	5.512	1.909	1.299	2.165	0.984	M6	3.67	1248399
110 X 25	4 X 3/4	0.134	0.075	8.268	1.319	7.795	5.512	1.693	1.299	2.264	0.984	M6	3.56	1248404
110 X 32	4 X 1	0.134	0.094	8.268	1.319	7.795	5.512	1.693	1.299	2.402	0.984	M6	3.56	1248401
110 X 40	4 X 1-1/4	0.134	0.094	8.268	2.224	10.512	7.835	2.953	1.299	3.484	1.772	M8	8.01	1248412
110 X 50	4 X 1-1/2	0.134	0.118	8.268	2.224	10.512	7.835	3.071	1.299	3.681	1.772	M8	7.83	1248415
110 X 63	4 X 2	0.134	0.118	8.268	2.224	10.512	7.835	2.953	1.299	3.937	1.772	M8	7.50	1248420



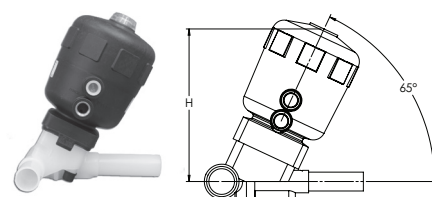
## T-343 DIAPHRAGM VALVE ZERO DEAD LEG WITH MALE UNION AND UNION BLANK

Size		Dimensions											SDR 21 / PN 10 / 150 PSI	
mm	inch	s1	s2	L	L1	Z	H	A	t	t2	P	K	Weight (lbs)	Part number
20 X 20	1/2 X 1/2	0.075	0.075	6.457	0.512	6.769	4.646	0.787	1.417	2.638	0.984	M6	1.36	124601005
25 X 20	3/4 X 1/2	0.075	0.075	6.457	0.551	6.769	4.646	0.787	1.417	2.638	0.984	M6	1.32	124601101
25 X 25	3/4 X 3/4	0.075	0.075	6.457	0.591	6.691	4.646	0.787	1.417	2.756	0.984	M6	1.34	124601007
32 X 20	1 X 1/2	0.094	0.075	6.457	0.669	7.006	5.039	0.787	1.417	2.283	0.984	M6	1.96	124601130
32 X 25	1 X 3/4	0.094	0.075	6.457	0.669	7.006	5.039	0.787	1.417	2.362	0.984	M6	1.96	124601131
32 X 32	1 X 1	0.094	0.094	7.244	0.709	6.139	5.039	0.787	1.417	2.402	0.984	M6	2.04	124601010
40 X 20	1-1/4 X 1/2	0.094	0.075	7.244	0.827	7.202	5.039	0.787	1.811	2.283	0.984	M6	2.09	124601166
40 X 25	1-1/4 X 3/4	0.094	0.075	7.244	0.846	7.202	5.039	0.787	1.811	2.362	0.984	M6	2.09	124601167
40 X 32	1-1/4 X 1	0.094	0.094	7.244	0.846	7.202	5.039	0.787	1.811	2.402	0.984	M6	2.02	124601168
40 X 40	1-1/4 X 1-1/4	0.118	0.095	9.259	0.847	10.398	7.447	0.787	1.812	3.664	1.772	M8	5.9	124601012
50 X 20	1-1/2 X 1/2	0.118	0.075	7.244	1.043	7.419	5.039	0.787	1.811	2.323	0.984	M6	2.29	124601208
50 X 25	1-1/2 X 3/4	0.118	0.075	7.244	1.043	7.419	5.039	0.787	1.811	2.362	0.984	M6	2.27	124601210
50 X 32	1-1/2 X 1	0.118	0.094	7.244	1.043	7.360	5.039	0.787	1.811	2.402	0.984	M6	2.28	124601211
50 x 40	1-1/2 x 1-1/4	0.118	0.095	9.331	1.83	10.470	7.874	2.244	1.831	3.78	1.772	M6	6.64	124601212
50 x 50	1-1/2 x 1-1/2	0.118	0.118	9.259	1.044	10.477	7.88	0.787	1.812	3.664	1.772	M8	6.56	124601015
63 X 20	2 X 1/2	0.118	0.075	7.244	1.299	7.714	5.039	0.787	1.811	2.283	0.984	M6	2.46	124601246
63 X 25	2 X 3/4	0.118	0.075	7.244	1.299	7.714	5.039	0.787	1.811	2.362	0.984	M6	2.46	124601248
63 X 32	2 X 1	0.118	0.094	7.244	1.299	7.714	5.039	0.787	1.811	2.402	0.984	M6	2.49	124601249
63 x 40	2 x 1-1/4	0.118	0.094	9.252	1.299	10.628	7.835	2.244	1.811	3.484	1.772	M8	7.02	124601250
63 X 50	2 X 1-1/2	0.118	0.118	9.252	1.299	10.628	7.835	2.244	1.811	3.661	1.772	M8	7.04	124601251
63 X 63	2 X 2	0.118	0.118	9.252	1.299	10.628	7.835	2.244	1.811	3.937	1.772	M8	6.95	124601020
75 X 25	2-1/2 X 3/4	0.142	0.075	8.268	0.906	8.147	5.236	1.299	1.299	2.382	0.984	M6	2.84	124601286
75 x 32	2-1/2 x 1	0.142	0.094	8.268	0.906	8.147	5.236	1.299	1.299	2.559	0.984	M6	2.82	124601289
75 X 40	2-1/2 X 1-1/4	0.142	0.094	8.268	1.535	10.864	7.835	2.48	1.299	3.465	1.772	M8	7.17	124601290
75 X 50	2-1/2 X 1-1/2	0.142	0.118	8.268	1.535	10.864	7.835	2.48	1.299	3.661	1.772	M8	7.15	124601291
75 X 63	2-1/2 X 2	0.142	0.118	8.268	1.535	10.864	7.835	2.48	1.299	3.937	1.772	M8	7.08	124601292



**T-343 DIAPHRAGM VALVE ZERO DEAD LEG WITH MALE UNION AND UNION BLANK (Continued)**

Size		Dimensions											SDR 21 / PN 10 / 150 PSI	
mm	inch	s1	s2	L	L1	Z	H	A	t	t2	P	K	Weight (lbs)	Part Number
90 x 20	3 x 1/2	0.169	0.075	8.268	0.925	8.502	5.315	1.417	1.299	2.283	0.984	M6	3.30	124601332
90 X 25	3 X 3/4	0.169	0.075	8.268	0.925	8.502	5.315	1.417	1.299	2.382	0.984	M6	3.28	124601333
90 X 32	3 X 1	0.169	0.094	8.268	0.925	8.502	5.315	1.417	1.299	2.52	0.984	M6	3.3	124601336
90 X 40	3 X 1-1/4	0.169	0.094	8.268	1.831	11.139	7.835	2.677	1.299	3.465	1.772	M8	7.55	124601335
90 X 50	3 X 1-1/2	0.169	0.118	8.268	1.831	11.139	7.835	2.559	1.299	3.681	1.772	M8	7.39	124601337
90 X 63	3 X 2	0.169	0.118	8.268	1.831	11.139	7.835	2.559	1.299	3.937	1.772	M8	7.52	124601338
110 x 20	4 x 1/2	0.209	0.075	8.268	1.319	8.777	5.512	1.909	1.299	2.165	0.984	M6	3.94	124601399
110 X 25	4 X 3/4	0.209	0.075	8.268	1.319	8.895	5.512	1.693	1.299	2.264	0.984	M6	3.83	124601404
110 X 32	4 X 1	0.209	0.094	8.268	1.319	8.895	5.512	1.693	1.299	2.402	0.984	M6	3.96	124601401
110 X 40	4 X 1-1/4	0.209	0.094	8.268	2.224	11.612	7.835	2.953	1.299	3.484	1.772	M8	8.29	124601412
110 X 50	4 X 1-1/2	0.209	0.118	8.268	2.224	11.511	7.835	3.071	1.299	3.681	1.772	M8	8.32	124601415
110 X 63	4 X 2	0.209	0.118	8.268	2.224	11.612	7.835	2.953	1.299	3.937	1.772	M8	8.25	124601420
160 x 32	6 x 1	0.303	0.094	8.346	0.709	9.958	8.071	1.181	2.008	2.441	0.984	M8	5.86	124601516
160 x 40	6 x 1-1/4	0.303	0.095	9.843	1.339	12.517	8.071	2.283	2.126	3.937	1.772	M6	10.99	124601519
160 x 50	6 x 1-1/2	0.303	0.118	9.843	1.339	12.517	8.071	2.283	2.126	3.937	1.772	M6	11.24	124601523
160 x 63	6 x 2	0.303	0.118	9.843	1.339	12.517	8.071	2.283	2.126	3.937	1.772	M8	10.86	124601530
													<b>SDR 33 x SDR 21 / PN 10 / 150 PSI</b>	
90 x 20	3 x 1/2	0.110	0.075	8.268	0.925	8.502	5.315	1.417	1.299	2.283	0.984	M6	2.93	124801332
90 X 25	3 X 3/4	0.110	0.075	8.268	0.925	8.502	5.315	1.417	1.299	2.382	0.984	M6	2.93	124801333
90 X 32	3 X 1	0.110	0.094	8.268	0.925	8.502	5.315	1.417	1.299	2.52	0.984	M6	2.95	124801336
90 X 40	3 X 1-1/4	0.110	0.094	8.268	1.831	11.139	7.835	2.677	1.299	3.465	1.772	M8	7.19	124801335
90 X 50	3 X 1-1/2	0.110	0.118	8.268	1.831	11.139	7.835	2.559	1.299	3.681	1.772	M8	7.44	124801337
90 X 63	3 X 2	0.110	0.118	8.268	1.831	11.139	7.835	2.559	1.299	3.937	1.772	M8	7.13	124801338
110 x 20	4 x 1/2	0.134	0.075	8.268	1.319	8.659	5.512	1.909	1.299	2.165	0.984	M6	3.67	124801399
110 X 25	4 X 3/4	0.134	0.075	8.268	1.319	8.895	5.512	1.693	1.299	2.264	0.984	M6	3.56	124801404
110 X 32	4 X 1	0.134	0.094	8.268	1.319	8.895	5.512	1.693	1.299	2.402	0.984	M6	3.56	124801401
110 X 40	4 X 1-1/4	0.134	0.094	8.268	2.224	11.612	7.835	2.953	1.299	3.484	1.772	M8	8.01	124801412
110 X 50	4 X 1-1/2	0.134	0.118	8.268	2.224	11.612	7.835	3.071	1.299	3.681	1.772	M8	7.83	124801415
110 X 63	4 X 2	0.134	0.118	8.268	2.224	11.612	7.835	2.953	1.299	3.937	1.772	M8	7.50	124801420



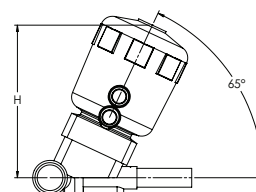
### T-343 DIAPHRAGM VALVE ZERO DEAD LEG

Size		Dimensions	SDR 21 / PN 10 / 150 PSI		
mm	inch	H	A-S NC Part Number	A-S NO Part Number	A-A Part Number
20 X 20	1/2 X 1/2	6.65	1317005	1342005	1367005
25 X 20	3/4 X 1/2	6.65	1317101	1342101	1367101
25 X 25	3/4 X 3/4	6.65	1317007	1342007	1367007
32 X 20	1 X 1/2	7.05	1317130	1342130	1367130
32 X 25	1 X 3/4	7.05	1317131	1342131	1367131
32 X 32	1 X 1	7.05	1317010	1342010	1367010
40 X 20	1-1/4 X 1/2	7.05	1317166	1342166	1367166
40 X 25	1-1/4 X 3/4	7.05	1317167	1342167	1367167
40 X 32	1-1/4 X 1	7.05	1317168	1342168	1367168
40 x 40	1-1/4 x 1-1/4	10.91	1317012	1342012	1367012
50 X 20	1-1/2 X 1/2	7.05	1317208	1342208	1367208
50 X 25	1-1/2 X 3/4	7.05	1317210	1342210	1367210
50 X 32	1-1/2 X 1	7.05	1317211	1342211	1367211
50 x 40	1-1/2 x 1-1/4	11.34	1317212	1342212	1367212
50 x 50	1-1/2 x 1-1/2	11.34	1317015	1342015	1367015
63 X 20	2 X 1/2	7.05	1317246	1342246	1367246
63 X 25	2 X 3/4	7.05	1317248	1342248	1367248
63 X 32	2 X 1	7.05	1317249	1342249	1367249
63 x 40	2 x 1-1/4	11.26	1317250	1342250	1367250
63 X 50	2 X 1-1/2	11.26	1317251	1342251	1367251
63 X 63	2 X 2	11.26	1317020	1342020	1367020
75 X 25	2-1/2 X 3/4	7.24	1317286	1342286	1367286
75 x 32	2-1/2 x 1	7.24	1317289	1342289	1367289
75 X 40	2-1/2 X 1-1/4	11.18	1317290	1342290	1367290
75 X 50	2-1/2 X 1-1/2	11.18	1317291	1342291	1367291
75 X 63	2 1/2 X 2	11.18	1317292	1342292	1367292

Actuated 343 valves are non-returnable / non-cancelable.

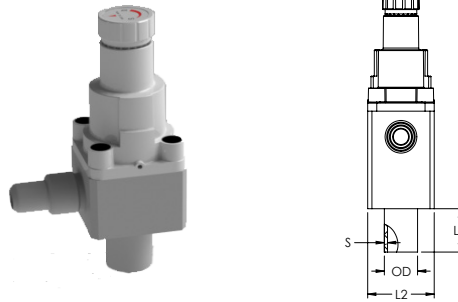


## T-343 DIAPHRAGM VALVE ZERO DEAD LEG



Size		Dimensions	SDR 21 / PN 10 / 150 PSI		
mm	inch	H	A-S NC Part Number	A-S NO Part Number	A-A Part Number
90 X 32	3 X 1	7.36	1317336	1342336	1367336
90 X 40	3 X 1-1/4	11.26	1317335	1342335	1367335
90 X 50	3 X 1-1/2	11.26	1317337	1342337	1367337
90 X 63	3 X 2	11.26	1317338	1342338	1367338
110 x 20	4 x 1/2	7.52	1317399	1342399	1367399
110 X 25	4 X 3/4	7.52	1317404	1342404	1367404
110 X 32	4 X 1	7.52	1317401	1342401	1367401
110 X 40	4 X 1-1/4	11.26	1317412	1342412	1367412
110 X 50	4 X 1-1/2	11.26	1317415	1342415	1367415
110 X 63	4 X 2	11.26	1317420	1342420	1367420
160 x32	6 x 1	7.52	1317516	1342516	1367516
160 x 40	6 x 1-1/4	11.26	1317519	1342519	1367519
160 x 50	6 x 1-1/2	11.26	1317523	1342523	1367523
160 x 63	6 x 2	11.26	1317530	1342530	1367530
Size		Dimensions	SDR 33 x SDR 21 / PN 10 / 150 PSI		
mm	inch	H	A-S NC Part Number	A-S NO Part Number	A-A Part Number
90 x 20	3 x 1/2	7.36	1316332	1344332	1369332
90 X 25	3 X 3/4	7.36	1316333	1344333	1369333
90 X 32	3 X 1	7.36	1316336	1344336	1369336
90 X 40	3 X 1-1/4	11.26	1316335	1344335	1369335
90 X 50	3 X 1-1/2	11.26	1316337	1344337	1369337
90 X 63	3 X 2	11.26	1316338	1344338	1369338
110 x 20	4 x 1/2	7.52	1316399	1344399	1369399
110 X 25	4 X 3/4	7.52	1316404	1344404	1369404
110 X 32	4 X 1	7.52	1316401	1344401	1369401
110 X 40	4 X 1-1/4	11.26	1316412	1344412	1369412
110 X 50	4 X 1-1/2	11.26	1316415	1344415	1369415
110 X 63	4 X 2	11.26	1316420	1344420	1369420

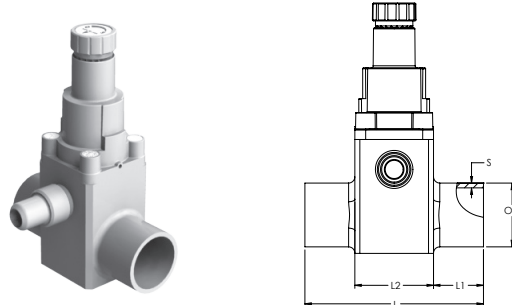
Actuated 343 valves are non-returnable / non-cancelable.



## MPV SAMPLING VALVE WITH PUSH-2-LOCK™ HANDLE WITH FLARE

Size		Flare inch	Description	Dimensions			SDR 21 / MOP 100 PSI
mm	inch			L1	L2	s	Part Number
20	1/2	1/4"	Spigot Inlet	1.0	1.575	0.075	548101096
		1/2"	Spigot Inlet	1.0	1.575	0.075	548101005
20	1/2	1/4"	MNPT Inlet	-	1.575	0.075	548102096
		1/2"	MNPT Inlet	-	1.575	0.075	548102005

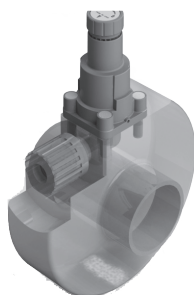
Non-returnable / non-cancelable.



## MPV INLINE SAMPLING VALVE WITH PUSH-2-LOCK™ HANDLE PVDF BODY, PTFE DIAPHRAGM

Size		Flare inch	Dimensions				SDR 21 / MOP 100 PSI
mm	inch		L	L1	L2	s	Part Number
20	1/2	1/4"	2.6	1.0	1.575	0.075	549902096
		1/2"	2.6	1.0	1.575	0.075	549902005
25	3/4	1/4"	2.6	1.0	1.575	0.075	549902103
		1/2"	2.6	1.0	1.575	0.075	549902101
32	1	1/4"	2.6	1.0	1.575	0.094	549902104
		1/2"	2.6	1.0	1.575	0.094	549902130
40	1-1/4	1/4"	2.6	1.0	1.575	0.094	549902159
		1/2"	2.6	1.0	1.575	0.094	549902166
50	1-1/2	1/4"	2.6	1.0	1.575	0.118	549902207
		1/2"	2.6	1.0	1.575	0.118	549902205

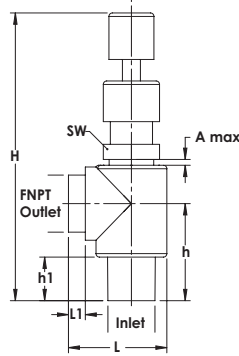
Non-returnable / non-cancelable.



## MPV SAMPLING INLINE VALVE WITH PUSH-2-LOCK™ HANDLE PVDF BODY, PTFE DIAPHRAGM

Size		Flare	SDR 21 / MOP 100 PSI	SDR 33 / MOP 100 PSI
mm	inch	inch	Part Number	Part Number
63	2	1/4"	549902244	-
		1/2"	549902246	-
75	2-1/2	1/4"	549902283	-
		1/2"	549902285	-
90	3	1/4"	549202330	549902330
		1/2"	549202332	549902332
110	4	1/4"	549202402	549902402
		1/2"	549202399	549902399
160	6	1/4"	549202509	549902509
		1/2"	549202512	549902512
200	8	1/4"	549202565	549902565
		1/2"	549202569	549902569
225	9	1/4"	549202598	549902598
		1/2"	549202599	549902599
250	10	1/4"	549202619	549902619
		1/2"	549202621	549902621

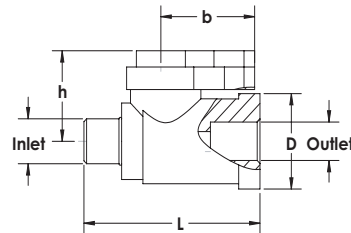
Non-returnable / non-cancelable.  
Please consult Asahi/America for dimensions.



### ANGLE NEEDLE VALVE

Size		Dimensions							PN 10 /150 PSI	
Inlet	Outlet	D	H	h	A max	L	L1	sw	Weight (lbs)	Part Number
20mm Butt	1/2" FNPT	1.18	4.67	1.38	0.35	1.97	0.55	1.06	0.23	5482005
1/4" MNPT	1/4" FNPT	0.79	3.72	1.16	0.28	1.48	0.31	0.81	0.23	5480002
1/2" MNPT	1/2" FNPT	1.18	4.63	1.34	0.35	1.97	0.55	1.06	0.23	5480005

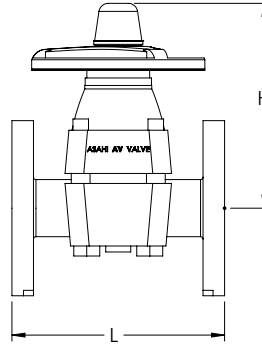
Ideal for use with an instrumentation fitting.



### SAMPLING BALL VALVE

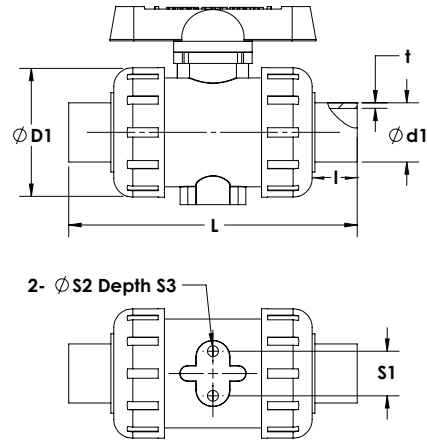
Size		Dimensions				PN 10 /150 PSI	
Inlet	Outlet	D	L	h	b	Weight (lbs)	Part Number
1/4"MNPT	1/4" FNPT*	1.100	2.200	1.040	1.170	0.13	1068003

Also includes outlet nipple adapters for 1/4" MNPT and hose barb.  
Ideal for use with an instrumentation fitting.



### PVDF TYPE-14/15 FLANGED DIAPHRAGM VALVES

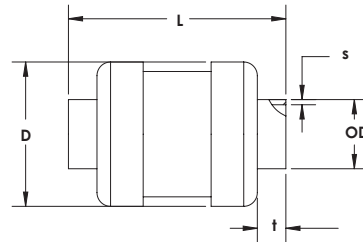
Size		Dimensions		ANSI / PN 10 / 150 PSI
				PVDF BONNET/PTFE DIA.
mm	inch	H	L	Part Number
20	1/2	7.32	4.25	1947005
25	3/4	7.40	5.88	1947007
32	1	7.60	5.88	1947010
40	1-1/4	7.76	6.38	1947012
50	1-1/2	11.54	6.94	1947015
63	2	11.89	7.94	1947020
75	2-1/2	10.47	9.84	1947025
90	3	11.02	10.38	1947030
110	4	12.95	12.94	1947040
160	6	18.74	18.90	1947060
200	8	24.69	22.24	1947080
250	10	30.63	26.77	1947100



### TYPE-21 BALL VALVE

Size		Dimension								Weight (lbs)	SDR 21 / PN 16 / 230 PSI	
mm	inch	D1	d1	l	t	L	S1	S2	S3		Part Number	
20	1/2	1.89	0.787	0.728	0.075	4.882	0.75	0.29	0.43	0.5	1067005	
25	3/4	2.36	0.984	0.866	0.075	5.670	0.75	0.29	0.43	0.8	1067007	
32	1	2.76	1.260	0.866	0.094	6.063	0.75	0.29	0.43	1.1	1067010	
40	1-1/4	3.23	1.575	1.024	0.094	6.850	1.18	0.35	0.59	2.3	1067012	
50	1-1/2	3.94	1.969	1.260	0.118	7.638	1.18	0.35	0.59	2.5	1067015	
63	2	4.96	2.480	1.414	0.118	8.819	1.18	0.35	0.59	2.7	1067020	

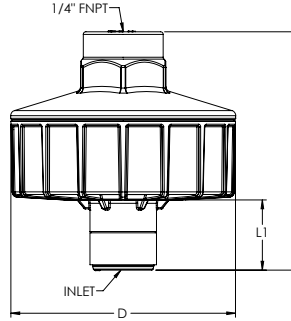
Supplied cleaned and bagged.  
Specialty connections required for beadless fusion, additional charges apply.



### BALL CHECK VALVE

Size		Dimensions				SDR 21 / PN 16 / 150 PSI	
mm	inch	D	L	t	s	Part Number	
20	1/2	1.871	4.000	0.728	0.098	1208005	
25	3/4	2.279	4.350	0.866	0.109	1208007	
32	1	2.553	4.750	0.866	0.120	1208010	
40	1-1/4	3.115	5.250	1.170	0.144	1208012	
50	1-1/2	3.568	5.750	1.260	0.179	1208015	
63	2	4.355	6.500	1.417	0.226	1208020	

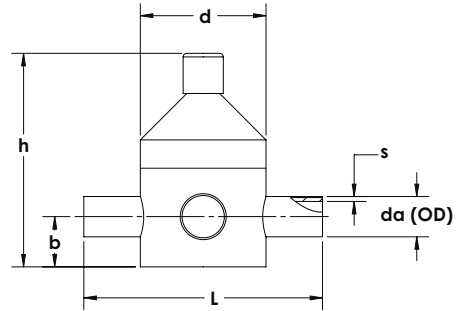
Supplied cleaned and bagged.  
Specialty connections required for beadless fusion, additional charges apply.



### Z801 GAUGE GUARD

Inlet Size	Description	Dimensions			SDR 11 / PN10 / 150 PSI
		D	L	L1	Part Number
1/4" FNPT	TFM Backed EPDM Diaphragm	3.327	4.024	1.004	17801303
1/2" FNPT	TFM Backed EPDM Diaphragm	3.327	4.024	1.004	17801304
25mm Butt	TFM Backed EPDM Diaphragm	3.327	4.673	1.654	17801305
32mm Butt	TFM Backed EPDM Diaphragm	3.327	4.673	1.654	17801306

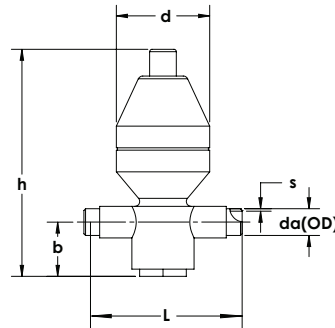
Gauge not included. Items are non-returnable / non-cancelable.



### T-241 PRESSURE REGULATOR WITH GAUGE GUARD

Size		Dimensions						Range psi	Weight (lbs)	Spigot
mm	inch	DN	d	L	b	h	s			SDR 21 / PN 10 / 150 PSI
										Part Number
20	1/2	0.591	2.756	5.906	1.181	5.118	0.075	7.25-145	1.17	540341005
25	3/4	0.787	3.937	7.480	1.575	6.693	0.075	7.25-145	2.38	540341007
32	1	0.984	3.937	7.480	1.575	6.693	0.094	7.25-145	2.90	540341010
40	1-1/4	1.260	5.118	9.449	2.165	9.055	0.094	7.25-145	5.52	540341012
50	1-1/2	1.575	5.118	9.449	2.165	9.055	0.118	7.25-145	5.52	540341015
63	2	1.969	6.102	10.236	2.953	11.220	0.118	7.25-145	8.71	540341020
75	2-1/2	2.559	7.480	11.811	3.937	13.780	0.142	7.25-145	17.40	540341025

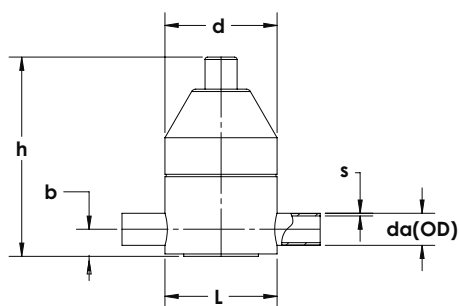
Includes stainless steel pressure gauge.



### V782 PRESSURE REGULATOR

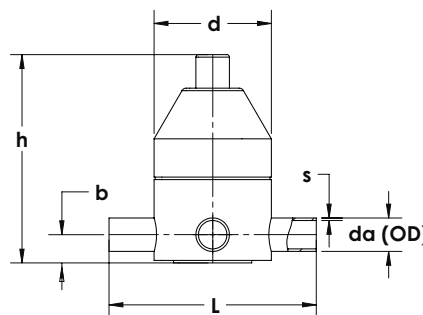
Size		Dimensions						Range psi	Weight (lbs)	Spigot
mm	inch	DN	d	L	b	h	s			SDR 21 / PN 10 / 150 PSI
										Part Number
20	1/2	0.591	3.268	6.772	1.890	9.449	0.075	7.25-145	2.01	540243005
25	3/4	0.787	4.409	7.480	2.559	10.709	0.075	7.25-145	4.24	540243007
32	1	0.984	4.409	7.480	2.559	10.709	0.094	7.25-145	4.20	540243010
40	1-1/4	1.260	6.496	10.315	3.740	14.016	0.094	7.25-145	15.43	540243012
50	1-1/2	1.575	6.496	10.315	3.740	14.016	0.118	7.25-145	13.89	540243015





### V186 BACK PRESSURE REGULATOR

Size		Dimensions						Range psi	Weight (lbs)	Spigot
mm	inch	DN	d	L	b	h	s			SDR 21 / PN 10 / 150 PSI
										Part Number
20	1/2	0.591	3.268	6.220	0.787	5.394	0.075	7.25-145	1.32	540244005
25	3/4	0.787	3.268	6.220	0.787	5.394	0.075	7.25-145	1.32	540244007
32	1	0.984	4.409	7.795	1.063	7.835	0.094	7.25-145	3.24	540244010
40	1-1/4	1.260	4.409	7.795	1.063	7.835	0.094	7.25-145	3.53	540244012
50	1-1/2	1.575	6.496	10.079	1.693	11.417	0.118	7.25-145	15.80	540244015
63	2	1.969	6.496	10.079	1.693	11.417	0.118	7.25-145	17.64	540244020

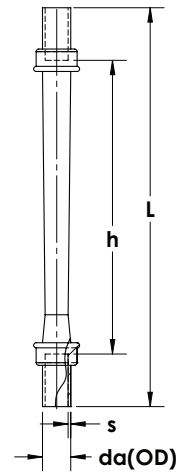


### V185 PRESSURE RELIEF T-VALVE

Size		Dimensions						Range psi	Weight (lbs)	Spigot
mm	inch	DN	d	L	b	h	s			SDR 21 / PN 10 / 150 PSI
										Part Number
20	1/2	0.591	3.268	6.220	0.787	5.394	0.075	7.25-145	1.54	540245005
25	3/4	0.787	3.268	6.220	0.787	5.394	0.075	7.25-145	1.54	540245007
32	1	0.984	4.409	7.795	1.063	7.835	0.094	7.25-145	3.75	540245010
40	1-1/4	1.260	4.409	7.795	1.063	7.835	0.094	7.25-145	3.75	540245012
50	1-1/2	1.575	6.496	10.079	1.693	11.417	0.118	7.25-145	16.27	540245015
63	2	1.969	6.496	10.079	1.693	11.417	0.118	7.25-145	18.30	540245020



M335



## M335 FLOWMETER

Size		Flow Rate	PA Tube, Spigot, FKM / SDR 21 / 150 PSI				Part Number
mm	inch		da(OD)	L	h	s	
20	1/2	0.44 -4.4 GPM (100 -1000 LPH)	0.787	17.91	13.19	0.075	540247010
25	3/4		0.984	17.91	13.19	0.091	540247011
25	3/4	0.88 -8.8 GPM (200 -2000 LPH)	0.984	17.91	13.19	0.091	540247012
32	1		1.26	17.91	13.19	0.114	540247013
25	3/4	1.1-11 GPM (250 -2500 LPH)	0.984	17.91	13.19	0.091	540247014
32	1		1.26	17.91	13.19	0.114	540247015
32	1	1.32 -13.2 GPM (300 -3000 LPH)	1.26	18.11	13.19	0.114	540247016
40	1-1/4		1.575	18.11	13.19	0.146	540247017
40	1-1/4	2.64 -26.4 GPM (600 -6000 LPH)	1.575	18.62	13.19	0.146	540247018
50	1-1/2		1.969	18.62	13.19	0.181	540247019
63	2		2.48	18.62	13.19	0.228	540247020
50	1-1/2	4.4 -44 GPM (1000 -10000 LPH)	1.969	18.62	13.19	0.181	540247021
63	2		2.48	18.62	13.19	0.228	540247022
75	2-1/2		2.953	18.62	13.19	0.268	540247023
63	2	6.6 -66 GPM (1500 -15000 LPH)	2.48	18.62	13.19	0.228	540247024
75	2-1/2		2.953	23.11	13.19	0.268	540247025
90	3		3.543	23.11	13.19	0.169	540247026
63	2	8.8 -88 GPM (2000 -20000 LPH)	2.48	23.11	13.19	0.228	540247027
75	2-1/2		2.953	23.11	13.19	0.268	540247028
90	3		3.543	23.11	13.19	0.169	540247029
110	4	13.2 -132 GPM (3000 -30000 LPH)	4.331	23.11	13.19	0.204	540247030
75	2-1/2		2.953	23.11	13.19	0.268	540247031
90	3		3.543	23.11	13.19	0.169	540247032
110	4		4.331	23.11	13.19	0.204	540247033



# PPN Piping System Cost Effective Purity



# PolyPure®

Natural Polypropylene (PPn)

High Purity Piping System

REV:HP0512PN

PolyPure®

**Materials:** ASTM D4101 Group 2, Class 1 natural polypropylene random copolymer resin. Resin shall comply with FDA Code of Federal Regulators (CFR), Title 21, Chapter 1: Section 177.1520 determining suitability for contact with foodstuff.

**Pipe Production:** Dimensions and tolerances shall exceed ISO 15494 requirement. Pipe shall be extruded in ISO Class 5 cleanroom environment.

**Fitting Production:** Dimensions and tolerances shall exceed ISO 15494 requirement. Fittings shall be molded with a central injection gate in ISO Class 5 cleanroom environment.

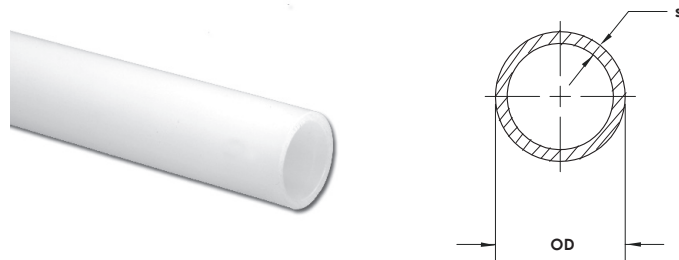
**Pressure Rating:** Components shall be pressure rated in accordance with ASTM D2837 and DIN 8077 for hydrostatic design basis. Components shall be manufactured to standard dimensional ratio (SDR) 11.

Based on continuous service life of 50 years at 68° F (20° C).

SDR11: 150psi (PN10)

PN = Nominal pressure in bar.

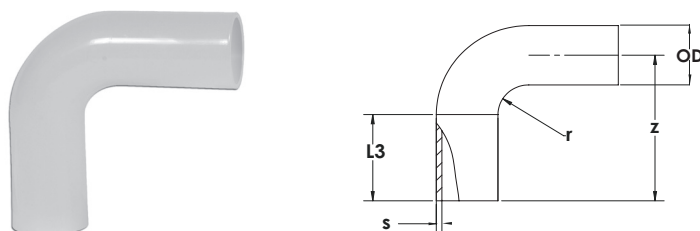
**Joining:** Available methods shall be according to the schedule below  
 DVS 2208-1 Socket: 1/2" (20mm) through 2" (63mm)  
 DVS 2207-11 Contact Butt: 1/2" (20mm) through 4" (110mm)  
 DVS 2207-6 Non Contact IR: 1/2" (20mm) through 4" (110mm)  
 Beadless Fusion: 1/2" (20mm) through 2" (63mm)



**PIPE\*** 5 meter (16.4') lengths

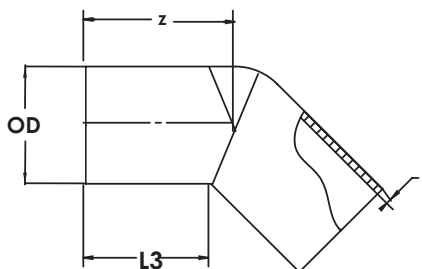
Size		Quantity per bag	SDR 11 / PN 10 / 150 PSI		
mm	inch		s	Weight (lbs/lth)	Part Number
20	1/2	5	0.075	1.18	6301005
25	3/4	4	0.091	1.81	6301007
32	1	3	0.114	2.87	6301010
40	1-1/4	1	0.146	4.54	6301012
50	1-1/2	1	0.181	7.03	6301015
63	2	1	0.228	11.13	6301020
90	3	1	0.323	22.27	6301030
110	4	1	0.394	33.18	6301040

\*Sold in sealed bag quantities in 5m lengths only.  
20-32mm only sold in bagged tube quantities, 20mm 5 LTS, 25 4 LTS, 32 3 LTS



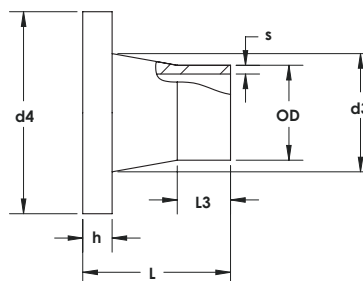
**EXTENDED LEG 90 DEGREE ELBOW**

Size		Dimensions				SDR 11 / PN 10 / 150 PSI	
mm	inch	z	r	L3	s	Weight (lbs)	Part Number
20	1/2	2.323	0.787	1.457	0.075	0.04	6302005
25	3/4	2.618	0.984	1.535	0.091	0.07	6302007
32	1	3.091	1.260	1.732	0.118	0.11	6302010
40	1-1/4	3.602	1.575	1.929	0.146	0.20	6302012
50	1-1/2	4.213	1.969	2.205	0.181	0.31	6302015
63	2	5.000	2.480	2.520	0.228	0.59	6302020
90	3	6.535	3.543	2.953	0.322	1.57	6302030
110	4	7.421	4.331	2.953	0.394	2.54	6302040



### 45 DEGREE ELBOW

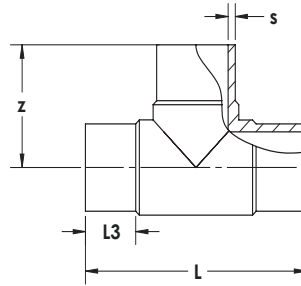
Size		Dimensions			SDR 11 / PN 10 / 150 PSI	
mm	inch	z	L3	s	Weight (lbs)	Part Number
20	1/2	1.732	1.535	0.071	0.02	6314005
25	3/4	1.890	1.654	0.091	0.04	6314007
32	1	2.244	1.929	0.118	0.09	6314010
40	1-1/4	2.480	2.087	0.146	0.13	6314012
50	1-1/2	2.756	2.244	0.181	0.22	6314015
63	2	3.150	2.520	0.228	0.42	6314020
90	3	4.094	3.228	0.323	0.97	6314030
110	4	4.252	3.228	0.394	1.54	6314040



### STUB END\* (FLANGE ADAPTER)

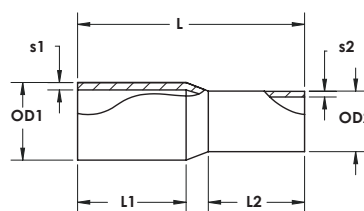
Size		Dimensions					SDR 11 / PN 10 / 150 PSI		
mm	inch	L	L3	d3	d4	h	s	Weight (lbs)	Part Number
20	1/2	1.969	1.181	1.063	1.752	0.276	0.071	0.04	6330005
25	3/4	1.969	0.984	1.299	2.130	0.354	0.091	0.07	6330007
32	1	1.969	0.984	1.575	2.500	0.394	0.118	0.11	6330010
40	1-1/4	1.969	0.787	1.969	2.815	0.433	0.146	0.13	6330012
50	1-1/2	1.969	0.787	2.402	3.250	0.472	0.181	0.18	6330015
63	2	1.969	0.709	2.953	3.953	0.551	0.228	0.29	6330020
90	3	3.150	1.575	4.134	5.213	0.669	0.323	0.68	6330030
110	4	3.15	1.496	4.921	6.713	0.709	0.394	0.99	6330040

\*Requires backing ring. See page 114.



## TEE

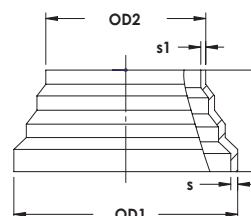
Size		Dimensions			SDR 11 / PN 10 / 150 PSI		
mm	inch	z	L	L3	s	Weight (lbs)	Part Number
20	1/2	1.339	2.677	0.689	0.075	0.04	6318005
25	3/4	1.575	3.150	0.807	0.091	0.07	6318007
32	1	1.772	3.543	0.807	0.114	0.09	6318010
40	1-1/4	1.969	3.937	0.807	0.146	0.15	6318012
50	1-1/2	2.362	4.724	0.906	0.181	0.29	6318015
63	2	2.835	5.669	0.984	0.228	0.53	6318020
90	3	4.134	8.386	1.496	0.323	1.63	6318030
110	4	4.803	9.961	2.008	0.394	2.73	6318040



### EXTENDED LEG CONCENTRIC REDUCER

Size		Dimensions					SDR 11 / PN 10 / 150 PSI	
mm	inch	L	L1	L2	s1	s2	Weight (lbs)	Part Number
25 x 20	3/4 x 1/2	3.425	1.575	1.614	0.091	0.075	0.04	6338101
32 x 20	1 x 1/2	3.622	1.693	1.535	0.114	0.075	0.07	6338130
32 x 25	1 x 3/4	3.622	1.732	1.535	0.114	0.091	0.07	6338131
40 x 20	1-1/4 x 1/2	7.500	2.760	2.760	0.146	0.075	0.09	6338166*
40 x 25	1-1/4 x 3/4	7.000	2.790	2.790	0.146	0.091	0.09	6338167*
40 x 32	1-1/4 x 1	4.016	1.890	1.772	0.146	0.114	0.09	6338168
50 x 20	1-1/2 x 1/2	7.500	2.480	2.480	0.181	0.075	0.13	6338208*
50 x 25	1-1/2 x 3/4	4.646	2.165	1.732	0.181	0.091	0.13	6338210
50 x 32	1-1/2 x 1	4.646	2.323	1.811	0.181	0.114	0.15	6338211
50 x 40	1-1/2 x 1-1/4	6.500	2.820	2.820	0.181	0.146	0.15	6338212*
63 x 20	2 x 1/2	7.500	2.370	2.370	0.228	0.075	0.24	6338246*
63 x 25	2 x 3/4	7.500	2.370	2.370	0.228	0.091	0.24	6338248*
63 x 32	2 x 1	5.354	2.520	1.929	0.228	0.114	0.24	6338249
63 x 40	2 x 1-1/4	7.000	2.740	2.740	0.228	0.146	0.24	6338250*
63 x 50	2 x 1-1/2	5.906	2.598	2.323	0.228	0.181	0.31	6338251
90 x 63	3 x 2	5.906	2.598	2.323	0.323	0.228	1.31	6338338*
110 x 63	4 x 2	5.906	2.598	2.323	0.394	0.228	2.31	6338420*
110 x 90	4 x 3	7.000	3.000	3.000	0.394	0.323	2.31	6338422*

\* Items are fabricated extended leg reducers with IR weld. Fabricated items are non-returnable / non-cancelable.

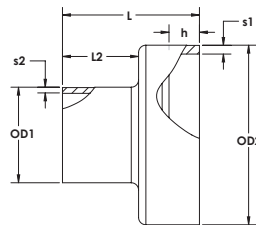


### STEPPED CONCENTRIC REDUCER

Size		Dimensions			SDR 11 / PN 10 / 150 PSI	
mm	inch	L	s	s1	Weight (lbs)	Part Number
63 x 16	2 x 3/8	2.126	0.228	0.071	0.04	6337247
110 x 63	4 x 2	2.441	0.394	0.228	0.07	6337420

Stepped concentric reducer contains all sizes within the range. Spigot ends are short allowing for one tight weld. Can not be use with beadless welds.





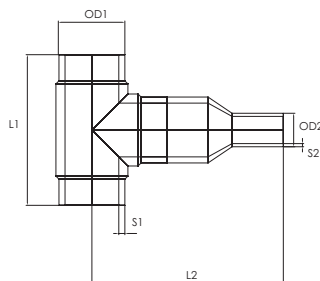
### MACHINED FLUSH REDUCER

Size							SDR 11*
mm	inch	s1	s2	L	L2	h	Part Number
40 x 20	1-1/4 x 1/2	0.146	0.075	2.250	1.250	.500	6348166
40 x 25	1-1/4 x 3/4	0.146	0.091	2.250	1.250	.500	6348167
50 x 20	1-1/2 x 1/2	0.181	0.075	2.250	1.250	.500	6348208
50 x 25	1-1/2 x 3/4	0.181	0.091	2.250	1.250	.500	6348210
63 x 20	2 x 1/2	0.228	0.075	2.250	1.250	.500	6348246
63 x 25	2 x 3/4	0.228	0.091	2.250	1.250	.500	6348248
90 x 20	3 x 1/2	0.323	0.075	2.250	1.250	.500	6348332
90 x 25	3 x 3/4	0.323	0.091	2.250	1.250	.500	6348333
90 x 32	3 x 1	0.323	0.120	2.250	1.250	.500	6348336
90 x 40	3 x 1-1/4	0.323	0.146	2.250	1.250	.500	6348335
90 x 50	3 x 1-1/2	0.323	0.181	2.250	1.250	.500	6348337
110 x 20	4 x 1/2	0.394	0.075	2.250	1.250	.500	6348399
110 x 25	4 x 3/4	0.394	0.091	2.250	1.250	.500	6348404
110 x 32	4 x 1	0.394	0.120	2.250	1.250	.500	6348401
110 x 40	4 x 1-1/4	0.394	0.146	2.250	1.250	.500	6348412
110 x 50	4 x 1-1/2	0.394	0.181	2.250	1.250	.500	6348415

Machined items are non-returnable / non-cancelable.

\*Consult Asahi/America for pressure rating.





## FABRICATED REDUCING TEE

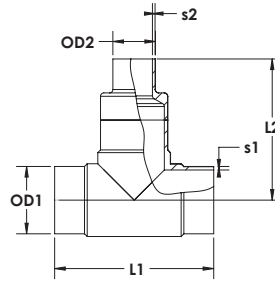
Size		Dimensions						SDR 11 / PN 10 / 150 PSI
mm	inch	OD1	OD2	L1	L2*	S1	S2	Part Number
25 x 20	3/4 x 1/2	0.98	0.79	3.15	2.96	0.109	0.098	6322101
32 x 20	1 x 1/2	1.26	0.79	3.54	4.25	0.120	0.098	6322130
32 x 25	1 x 3/4	1.26	0.98	3.54	3.51	0.120	0.109	6322131
40 x 20	1-1/4 x 1/2	1.57	0.79	3.94	4.75	0.144	0.098	6322166*
40 x 25	1-1/4 x 3/4	1.57	0.98	3.94	4.5	0.144	0.109	6322167*
40 x 32	1-1/4 x 1	1.57	1.26	3.94	3.74	0.144	0.120	6322168
50 x 20	1-1/2 x 1/2	1.97	0.79	4.72	5.80	0.179	0.098	6322208*
50 x 25	1-1/2 x 3/4	1.97	0.98	4.72	4.39	0.179	0.109	6322210
50 x 32	1-1/2 x 1	1.97	1.26	4.72	4.17	0.179	0.120	6322211
50 x 40	1-1/2 x 1-1/4	1.97	1.57	4.72	4.25	0.179	0.144	6322212*
63 x 20	2 x 1/2	2.48	0.79	5.67	7.00	0.226	0.098	6322246*
63 x 25	2 x 3/4	2.48	0.98	5.67	6.50	0.226	0.109	6322248*
63 x 32	2 x 1	2.48	1.26	5.67	5.49	0.226	0.120	6322249
63 x 40	2 x 1-1/4	2.48	1.57	5.67	5.50	0.226	0.144	6322250*
63 x 50	2 x 1-1/2	2.48	1.97	5.67	4.88	0.226	0.179	6322251
90 x 63	3 x 2	3.55	2.48	5.98	6.00	0.322	0.226	6322338*
110 x 63	4 x 2	4.33	2.48	8.38	7.75	0.394	0.226	6322420*
110 x 90	4 x 3	4.33	3.44	8.38	6.50	0.394	0.322	6322422*

Fabricated from tee and reducer with IR weld.

\*Items utilize fabricated extended leg reducer.

Fabricated items are non-returnable / non-cancelable.

\*Fabricated dimension tolerance +/- 1/4".



**FABRICATED FLUSH REDUCING TEE\***

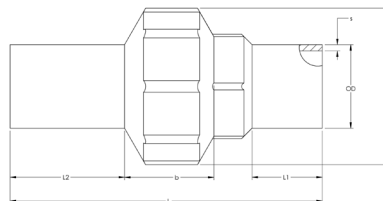
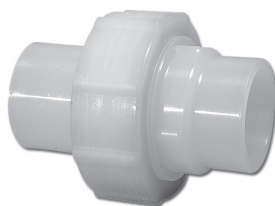
Size		Dimensions				SDR 11*
mm	inch	L1	L2	s1	s2	Part Number
40 x 20	1-1/4 x 1/2	3.937	3.878	0.109	0.098	6335166
40 x 25	1-1/4 x 3/4	3.937	4.075	0.109	0.109	6335167
50 x 20	1-1/2 x 1/2	4.724	3.878	0.226	0.098	6335208
50 x 25	1-1/2 x 3/4	4.724	4.075	0.226	0.109	6335210
63 x 20	2 x 1/2	5.866	3.878	0.226	0.098	6335246
63 x 25	2 x 3/4	5.866	4.075	0.226	0.109	6335248
90 x 20	3 x 1/2	7.126	3.878	0.322	0.098	6335332
90 x 25	3 x 3/4	7.126	4.075	0.322	0.109	6335333
90 x 32	3 x 1	7.126	4.272	0.322	0.120	6335336
90 x 40	3 x 1-1/4	7.126	4.469	0.322	0.014	6335335
90 x 50	3 x 1-1/2	7.126	4.862	0.322	0.179	6335337
110 x 20	4 x 1/2	8.780	3.878	0.394	0.098	6335399
110 x 25	4 x 3/4	8.780	4.075	0.394	0.109	6335404
110 x 32	4 x 1	8.78	4.272	0.394	0.120	6335401
110 x 40	4 x 1-1/4	8.780	4.469	0.394	0.144	6335412
110 x 50	4 x 1-1/2	8.780	4.862	0.394	0.179	6335415

Fabricated from tee and reducer with IR weld.

\*Fabricated items are non-returnable / non-cancelable.

\*Consult Asahi/America for pressure rating.

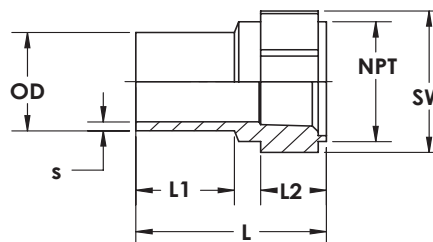




**UNION**

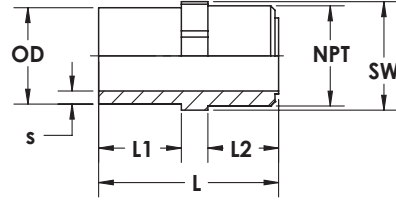
Size		Dimensions					SDR 11 / PN 10 / 150 PSI		
mm	inch	L	L1	L2	d	b	s	Weight (lbs)	FKM O-Rings Part Number
20	1/2	4.213	0.945	0.945	1.850	0.945	0.075	0.11	6334005
25	3/4	4.409	0.945	0.945	2.244	1.024	0.091	0.18	6334007
32	1	4.685	0.984	0.984	2.520	1.181	0.094	0.24	6334010
40	1-1/4	4.921	0.984	0.984	3.071	1.220	0.094	0.40	6334012
50	1-1/2	5.118	0.984	0.984	3.504	1.378	0.118	0.55	6334015
63	2	5.354	0.984	0.984	4.291	1.535	0.118	0.88	6334020

\*Items are non-stock, which are non-returnable / non-cancelable.  
 PVDF union blanks are available. See page 23.



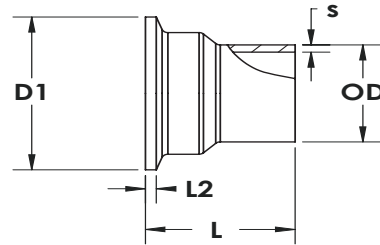
**FEMALE ADAPTER**

Size		Dimensions						SDR 11 / PN 10 / 150 PSI	
mm	inch	s	L	L1	L2	SW	NPT	Weight (lbs)	Part Number
20	1/2	0.098	1.772	0.827	0.630	1.260	1/2	0.02	6349005
25	3/4	0.106	1.969	0.984	0.669	1.614	3/4	0.07	6349007
32	1	0.114	2.283	1.181	0.787	1.811	1	0.09	6349010
40	1-1/4	0.146	2.441	1.181	0.945	2.165	1-1/4	0.13	6349012
50	1-1/2	0.181	2.677	1.339	0.945	2.756	1-1/2	0.22	6349015
63	2	0.228	2.953	1.417	1.102	3.346	2	0.35	6349020



**MALE ADAPTER**

Size		Dimensions						SDR 11 / PN 10 / 150 PSI	
mm	inch	s	L	L1	L2	SW	NPT	Weight (lbs)	Part Number
20	1/2	0.075	1.811	0.748	0.709	0.866	1/2	0.02	6347005
25	3/4	0.091	2.008	0.866	0.787	1.063	3/4	0.02	6347007
32	1	0.114	2.402	1.102	0.945	1.417	1	0.07	6347010
40	1-1/4	0.146	2.598	1.142	1.024	1.811	1-1/4	0.13	6347012
50	1-1/2	0.181	2.913	1.260	1.102	2.165	1-1/2	0.13	6347015
63	2	0.228	3.150	1.378	1.220	2.559	2	0.13	6347020

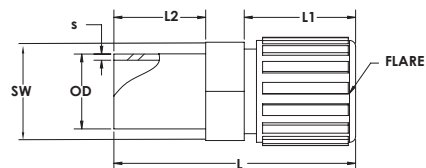


**SANITARY ADAPTER**

Size			Dimensions				SDR 11 / MOP 120 PSI	
mm	inch	Sanitary	L	L2	D1	s	Weight (lbs)	Part Number
20	1/2	3/4"	1.50	0.142	0.984	0.075	0.07	6360101
25	3/4	1"	1.50	0.110	1.984	0.091	0.07	6360131
32	1	1-1/2"	1.50	0.110	1.984	0.114	0.07	6360168
40	1-1/4	1-1/2"	1.50	0.110	1.984	0.146	0.09	6360212
50	1-1/2	2"	1.50	0.110	2.490	0.181	0.09	6360251
63	2	2-1/2"	1.50	0.110	2.990	0.228	0.09	6360292

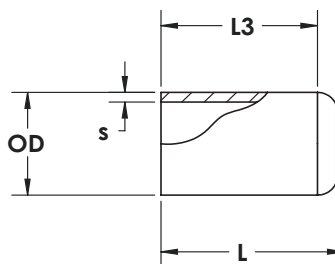
Please see page 393 for gaskets and clamps.  
Maximum operating pressure is 120psi.





### FLARE ADAPTER

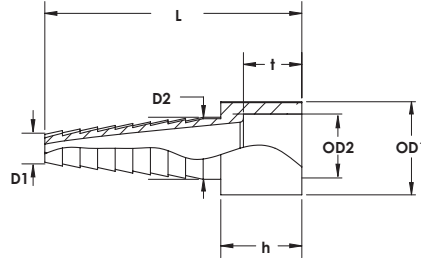
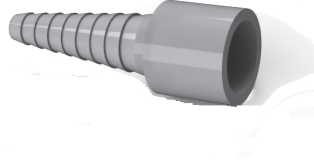
Size		Dimensions						SDR 11 / PN 10 / 150 PSI
mm	Inch	Flare inch	s	L	L1	L2	SW	Part Number
20	1/2	1/4	0.075	3.190	1.142	1.500	0.945	6306096
20	1/2	3/8	0.075	3.310	1.260	1.500	0.945	6306098
20	1/2	1/2	0.075	3.400	1.260	1.500	1.063	6306005
25	3/4	3/8	0.075	3.360	1.260	1.500	1.181	6306106
25	3/4	1/2	0.075	3.400	1.300	1.500	1.181	6306101
25	3/4	3/4	0.075	3.560	1.456	1.500	1.181	6306007
32	1	3/8	0.094	3.390	1.260	1.500	1.614	6306105
32	1	1/2	0.094	3.430	1.260	1.500	1.614	6306130
32	1	3/4	0.094	3.590	1.456	1.500	1.614	6306131
32	1	1	0.094	3.860	1.732	1.500	1.614	6306010



### END CAP

Size		Dimensions		SDR 11 / PN 10 / 150 PSI		
mm	inch	L	L3	s	Weight (lbs)	Part Number
20	1/2	1.850	1.614	0.098	0.02	6343005
25	3/4	1.929	1.614	0.109	0.02	6343007
32	1	2.165	1.850	0.120	0.04	6343010
40	1-1/4	2.520	2.008	0.144	0.07	6343012
50	1-1/2	2.874	2.362	0.179	0.11	6343015
63	2	3.307	2.677	0.226	0.22	6343020
90	3	4.213	3.307	0.322	0.55	6343030*
110	4	5.276	3.819	0.394	0.93	6343040*

\*Machined item, non-returnable / non-cancelable.

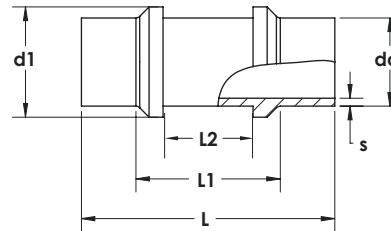
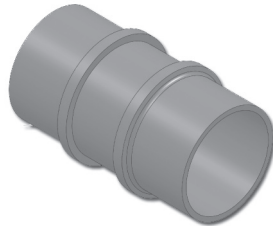


**HOSE BARB\***

Size		Dimensions						SDR 11 / PN 10 / 150 PSI	
Outlet	OD1	OD2	L	h	t	D1	D2	Part Number	
1/4"	25 mm	20 mm	2.778	0.875	0.656	1/4	1/2	840704000	

\*Hose barb can be IR fused to 25mm or socket fused with 20mm pipe fitting.

Hose barb is 1/4" - 1/2" OD.

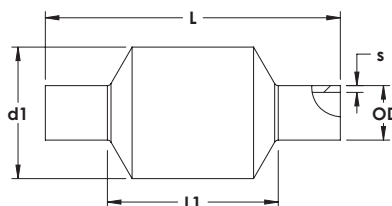


**RESTRAINT FITTING\***

Size		Dimensions				SDR 11 / PN 10 / 150 PSI		
mm	inch	L	L1	L2	d1	s	Weight (lbs)	Part Number
32	1	3.661	2.087	1.299	1.575	0.114	0.07	6305010
40	1-1/4	3.661	2.087	1.299	1.890	0.146	0.07	6305012
50	1-1/2	4.449	2.087	1.299	2.283	0.181	0.07	6305015
63	2	4.331	1.969	1.220	2.795	0.228	0.07	6305020
90	3	5.118	2.756	1.575	4.134	0.323	0.07	6305030
110	4	5.118	2.756	1.575	5.000	0.394	0.07	6305040

\*Restraint fittings are a machined item, non-returnable / non-cancelable.



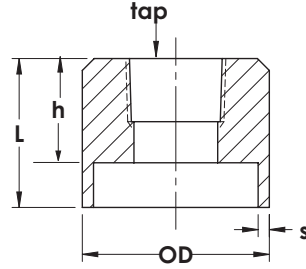


## INSTRUMENTATION FITTING\*

Size		Description	Dimensions			SDR 11 / PN 10 / 150 PSI		
mm	inch		L	L1	d1	s	Weight (lbs)	Part Number
20	1/2	Solid	4.724	1.969	1.969	0.098	0.684	6304005
20	1/2	1/4" Tap	4.724	1.969	1.969	0.098	0.684	6304096
25	3/4	Solid	4.724	1.969	2.165	0.106	0.573	6304007
25	3/4	1/4" Tap	4.724	1.969	2.165	0.106	0.573	6304103
32	1	Solid	4.724	1.969	2.362	0.114	0.595	6304010
32	1	1/4" Tap	4.724	1.969	2.362	0.114	0.595	6304104
32	1	1/2" Tap	4.724	1.969	2.362	0.114	0.595	6304130
40	1-1/4	Solid	4.724	1.969	2.953	0.146	0.882	6304012
40	1-1/4	1/4" Tap	4.724	1.969	2.953	0.146	0.882	6304159
40	1-1/4	1/2" Tap	4.724	1.969	2.953	0.146	0.882	6304166
50	1-1/2	Solid	4.724	1.969	3.150	0.181	0.904	6304015
50	1-1/2	1/4" Tap	4.724	1.969	3.150	0.181	0.904	6304207
50	1-1/2	1/2" Tap	4.724	1.969	3.150	0.181	0.904	6304208
63	2	Solid	4.724	2.047	3.307	0.228	0.860	6304020
63	2	1/4" Tap	4.724	2.047	3.307	0.228	0.860	6304244
63	2	1/2" Tap	4.724	2.047	3.307	0.228	0.860	6304246
90	3	Solid	5.866	2.362	4.134	0.169	1.367	6304030
90	3	1/4" Tap	5.866	2.362	4.134	0.169	1.367	6304330
90	3	1/2" Tap	5.866	2.362	4.134	0.169	1.367	6304332
110	4	Solid	5.906	2.362	4.882	0.209	1.830	6304040
110	4	1/4" Tap	5.906	2.362	4.882	0.209	1.830	6304402
110	4	1/2" Tap	5.906	2.362	4.882	0.209	1.830	6304399

\*Instrumentation fittings are a machined item, non-returnable / non-cancelable.



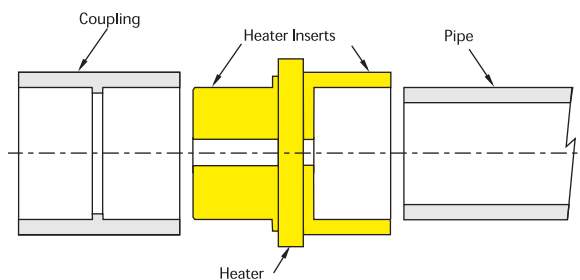


**PROBE ADAPTER\***

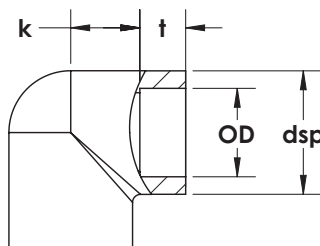
Size		Description	Dimensions			SDR 11 / PN 10 / 150 PSI
mm	inch		h	L	s	Part Number
20	1/2	Solid	1.00	1.50	0.075	6303005
20	1/2	1/4" Tap	1.00	1.50	0.075	6303096
25	3/4	Solid	1.00	1.50	0.075	6303007
25	3/4	1/4" Tap	1.00	1.50	0.075	6303103
25	3/4	1/2" Tap	1.00	1.50	0.075	6303101
32	1	Solid	1.00	1.50	0.094	6303010
32	1	1/4" Tap	1.00	1.50	0.094	6303104
32	1	1/2" Tap	1.00	1.50	0.094	6303130
40	1-1/4	Solid	1.00	1.50	0.094	6303012
40	1-1/4	1/4" Tap	1.00	1.50	0.094	6303159
40	1-1/4	1/2" Tap	1.00	1.50	0.094	6303166
50	1-1/2	Solid	1.00	1.50	0.118	6303015
50	1-1/2	1/4" Tap	1.00	1.50	0.118	6303207
50	1-1/2	1/2" Tap	1.00	1.50	0.118	6303208
63	2	Solid	1.00	1.50	0.118	6303020
63	2	1/4" Tap	1.00	1.50	0.118	6303244
63	2	1/2" Tap	1.00	1.50	0.118	6303246
90	3	Solid	1.00	1.50	0.110	6303030
90	3	1/4" Tap	1.00	1.50	0.110	6303330
90	3	1/2" Tap	1.00	1.50	0.110	6303332
110	4	Solid	1.00	1.50	0.138	6303040
110	4	1/4" Tap	1.00	1.50	0.138	6303402
110	4	1/2" Tap	1.00	1.50	0.138	6303399

\*Probe adapters are a machined item, non-returnable / non-cancelable.

## Socket Fusion

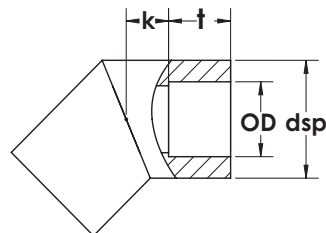


In socket fusion welding, the pipe end and socket fitting are heated to welding temperatures by means of socket and spigot heater inserts. Socket welding may be manually performed on pipe diameters up to 2" (63mm). In sizes greater than 1", a bench style machine may be preferred for ease of operation.



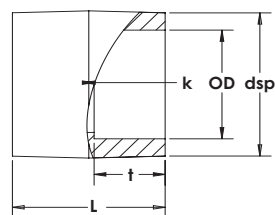
## 90 DEGREE ELBOW

Size		Dimensions			SDR 11 / PN 10 / 150 PSI	
mm	inch	dsp	t	k	Weight (lbs)	Part Number
20	1/2	1.154	0.630	0.551	0.04	6310005
25	3/4	1.382	0.709	0.669	0.07	6310007
32	1	1.701	0.787	0.787	0.11	6310010
40	1-1/4	2.098	0.866	0.984	0.17	6310012
50	1-1/2	2.579	0.984	1.102	0.31	6310015
63	2	3.189	1.102	1.378	0.55	6310020



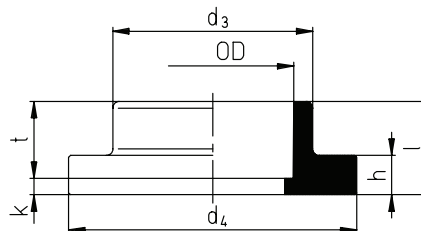
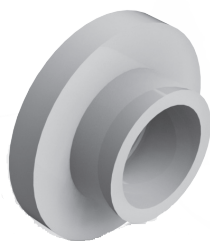
### 45 DEGREE ELBOW

Size		Dimensions			SDR 11 / PN 10 / 150 PSI	
mm	inch	dsp	t	k	Weight (lbs)	Part Number
20	1/2	1.181	0.630	0.433	0.04	6315005
25	3/4	1.378	0.709	0.551	0.07	6315007
32	1	1.693	0.787	0.669	0.09	6315010
40	1 -1/4	2.087	0.866	0.827	0.15	6315012
50	1-1/2	2.559	0.945	1.024	0.22	6315015
63	2	3.189	1.142	1.299	0.40	6315020



### COUPLING

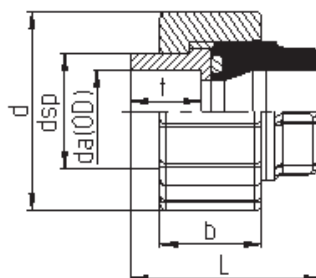
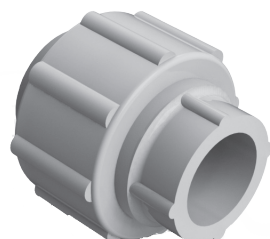
Size		Dimensions				SDR 11 / PN 10 / 150 PSI	
mm	inch	L	dsp	t	k	Weight (lbs)	Part Number
20	1/2	1.378	1.157	0.630	0.118	0.02	6328005
25	3/4	1.535	1.382	0.709	0.118	0.04	6328007
32	1	1.693	1.701	0.787	0.118	0.07	6328010
40	1 -1/4	1.850	2.039	0.866	0.118	0.09	6328012
50	1 -1/2	2.047	2.535	0.945	0.157	0.13	6328015
63	2	2.362	3.201	1.142	0.079	0.24	6328020



### STUB END\* (FLANGE ADAPTER)

Size		Dimensions						SDR 11 / PN 10 / 150 PSI	
mm	inch	d3	d4	h	l	k	t	Weight (lbs)	Part Number
20	1/2	1.06	1.75	0.39	0.83	0.20	0.63	0.03	6331005
25	3/4	1.30	2.13	0.39	0.91	0.20	0.71	0.05	6331007
32	1	1.61	2.50	0.39	1.02	0.24	0.79	0.08	6331010
40	1-1/4	1.97	2.81	0.41	1.02	0.16	0.87	0.11	6331012
50	1-1/2	2.42	3.25	0.51	1.18	0.24	0.94	0.15	6331015
63	2	3.02	3.95	0.55	1.34	0.20	1.14	0.20	6331020

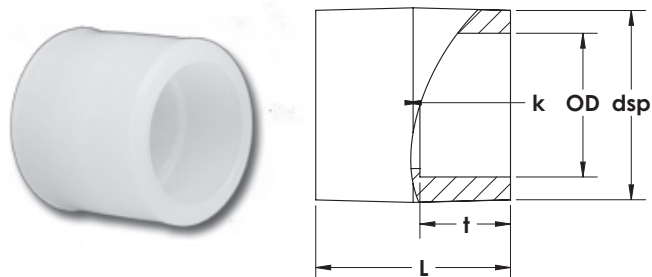
\*Requires backing ring. See page 118.



### UNION-EPDM

Size		Dimensions					SDR 11 / PN 10 / 150 PSI	
mm	inch	L	d	b	dsp	t	Weight (lbs)	Part Number
20	1/2	1.772	1.850	0.945	1.075	0.630	0.040	6393005
25	3/4	1.929	2.244	1.024	1.406	0.709	0.060	6393007
32	1	2.087	2.520	1.181	1.626	0.787	0.080	6393010
40	1-1/4	2.323	3.071	1.220	2.079	0.866	0.130	6393012
50	1-1/2	2.638	3.504	1.378	2.307	0.965	0.180	6393015
63	2	3.110	4.291	1.535	2.898	1.142	0.300	6393020

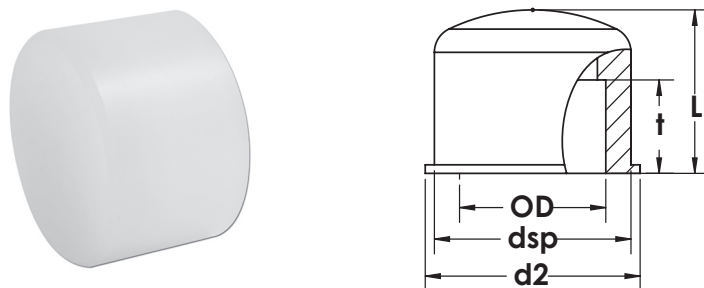
FKM O-rings are available upon request and require additional lead time.



**IPS COUPLING ADAPTER\***

Size		Dimensions				SDR 11 / PN 10 / 150 PSI	
mm	inch	L	dsp	t	k	Weight (lbs)	Part Number
20	1/2	1.378	1.157	0.630	0.118	0.02	6329005
25	3/4	1.535	1.382	0.709	0.118	0.04	6329007
32	1	1.693	1.701	0.787	0.118	0.07	6329010
40	1 -1/4	1.850	2.039	0.866	0.118	0.09	6329012
50	1 -1/2	2.047	2.535	0.945	0.157	0.13	6329015
63	2	2.362	3.201	1.142	0.079	0.24	6329020

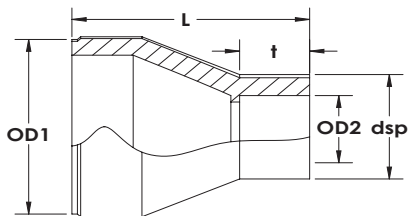
\*Coupling with IPS socket by metric socket. Non-returnable / non-cancelable.



**END CAP\***

Size		Dimensions				SDR 11 / PN 10 / 150 PSI	
mm	inch	L	d2	dsp	t	Weight (lbs)	Part Number
20	1/2	2.259	1.260	1.142	0.630	0.02	6340005
25	3/4	2.606	1.496	1.378	0.709	0.02	6340007
32	1	3.041	1.850	1.693	0.787	0.04	6340010
40	1 -1/4	3.301	2.283	2.067	0.866	0.07	6340012
50	1-1/2	4.344	2.756	2.539	0.945	0.15	6340015
63	2	5.126	3.425	3.228	1.142	0.29	6340020

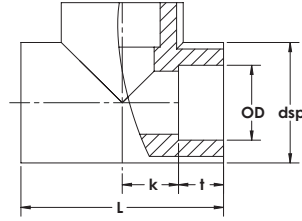
\*End caps are a machined item, non-returnable / non-cancelable.



## REDUCER

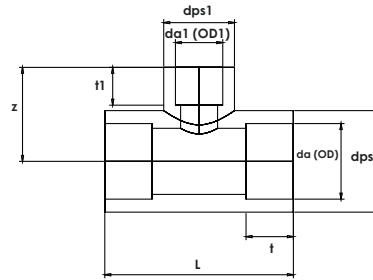
Size		Dimensions			SDR 11 / PN 10 / 150 PSI	
mm	inch	L	dsp	t	Weight (lbs)	Part Number
25 x 20	3/4 x 1/2	1.535	1.181	0.630	0.02	6339101
32 x 20	1 x 1/2	1.791	1.181	0.630	0.04	6339130
32 x 25	1 x 3/4	1.772	1.378	0.709	0.04	6339131
40 x 25	1-1/4 x 3/4	1.969	1.358	0.709	0.04	6339167
40 x 32	1-1/4 x 1	1.969	1.685	0.787	0.07	6339168
50 x 25	1-1/2 x 3/4	2.165	1.366	0.709	0.07	6339210
50 x 32	1-1/2 x 1	2.165	1.720	0.787	0.09	6339211
50 x 40	1-1/2 x 1-1/4	2.165	2.079	0.866	0.11	6339212
63 x 32	2 x 1	2.559	1.689	0.787	0.13	6339249
63 x 40	2 x 1-1/4	2.559	2.079	0.866	0.15	6339250
63 x 50	2 x 1-1/2	2.559	2.551	0.945	0.15	6339251

Large dimension will be spigot end, reduced size is a socket coupling.



**TEE**

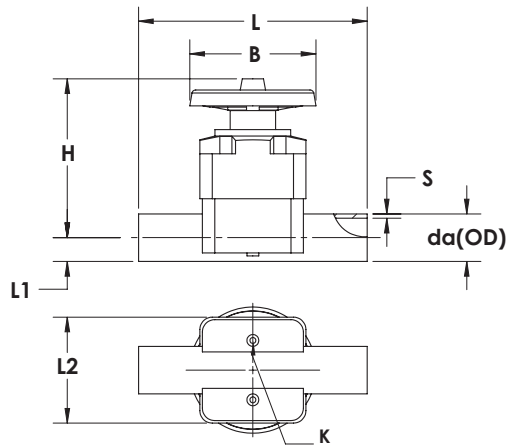
Size		Dimensions				SDR 11 / PN 10 / 150 PSI	
mm	inch	L	dsp	t	k	Weight (lbs)	Part Number
20	1/2	2.362	1.146	0.630	0.551	0.07	6320005
25	3/4	2.756	1.386	0.709	0.669	0.09	6320007
32	1	3.150	1.693	0.787	0.827	0.15	6320010
40	1-1/4	3.701	2.087	0.866	0.984	0.22	6320012
50	1-1/2	4.252	2.559	0.945	1.181	0.40	6320015
63	2	5.157	3.189	1.142	1.437	0.66	6320020



**REDUCING TEE**

Size		Dimensions						SDR 11 / PN 10 / 150 PSI	
mm	inch	z	L	dsp	dsp1	t	t1	Weight (lbs)	Part Number
32 x 20	1 x 1/2	1.567	3.138	1.693	1.177	0.787	0.630	0.11	6324130
32 x 25	1 x 3/4	1.575	3.130	1.693	1.378	0.787	0.709	0.13	6324131
40 x 32	1-1/4 x 1	1.772	3.583	2.087	1.693	0.866	0.787	0.22	6324168
50 x 25	1-1/2 x 3/4	2.008	4.331	2.579	1.398	0.945	0.709	0.35	6324210
50 x 32	1-1/2 x 1	2.126	4.252	2.559	1.693	0.945	0.787	0.35	6324211
63 x 32	2 x 1	2.559	5.118	3.189	1.713	1.142	0.787	0.71	6324249
63 x 50	2 x 1-1/2	2.559	5.118	3.189	2.598	1.142	0.945	0.73	6324250

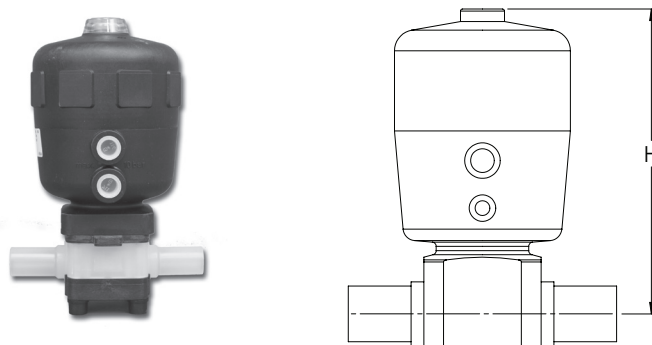




### T-342 DIAPHRAGM VALVE - MANUAL

Size		Dimensions							SDR 11 / PN 10 / 150 PSI		
mm	inch	S	L	L1	L2	H	B	K	Weight (lbs)	EPDM	PTFE
										Part Number	Part Number
20	1/2	0.075	5.236	0.650	0.965	3.937	3.346	M6	1.10	6352005	6351005
25	3/4	0.075	5.699	0.650	0.965	3.937	3.346	M6	1.12	6352007	6351007
32	1	0.094	6.063	0.807	0.965	4.213	3.346	M6	1.61	6352010	6351010
40	1-1/4	0.094	7.598	1.004	1.732	5.669	5.315	M8	3.48	6352012	6351012
50	1-1/2	0.118	7.638	1.26	1.732	5.669	5.315	M8	3.67	6352015	6351015
63	2	0.118	8.819	1.516	1.732	6.693	5.315	M8	5.39	6352020	6351020





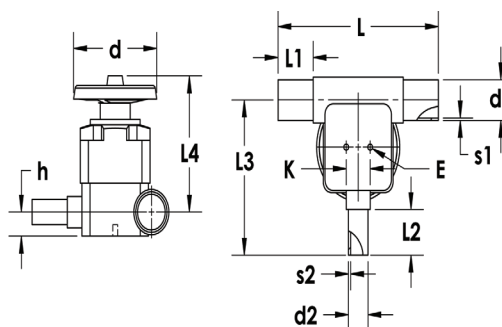
### T-342 DIAPHRAGM VALVE - ACTUATED

Size		Dimensions	EPDM DIAPHRAGM - SDR 21 / PN 10 / 150 PSI		
mm	inch	H	A-S NC Part Number	A-S NO Part Number	A-A Part Number
20	1/2	6.69	6375005	6370005	6371005
25	3/4	6.69	6375007	6370007	6371007
32	1	6.89	6375010	6370010	6371010
40	1-1/4	10.75	6375012	6370012	6371012
50	1-1/2	10.75	6375015	6370015	6371015
63	2	10.91	6375020	6370020	6371020

Pricing and part numbers are for actuated versions of standard spigot model.  
 Consult factory for pricing on true union or flanged actuated valves.  
 Actuated 342 valves are non-returnable / non-cancelable.

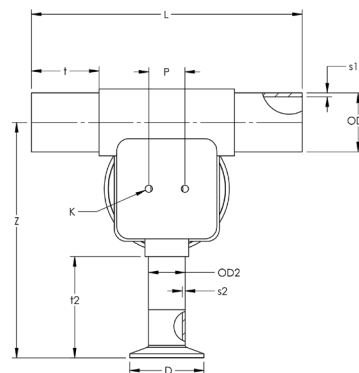
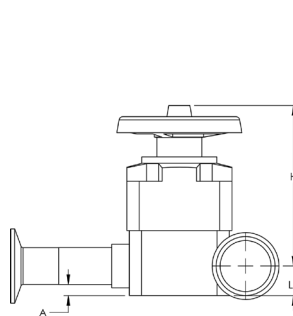
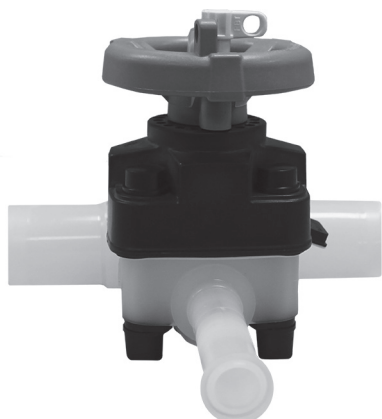
Size		Dimensions	PTFE DIAPHRAGM - SDR 21 / PN 10 / 150 PSI		
mm	inch	H	A-S NC Part Number	A-S NO Part Number	A-A Part Number
20	1/2	6.69	6376005	6372005	6373005
25	3/4	6.69	6376007	6372007	6373007
32	1	6.89	6376010	6372010	6373010
40	1-1/4	10.75	6376012	6372012	6373012
50	1-1/2	10.75	6376015	6372015	6373015
63	2	10.91	6376020	6372020	6373020

Pricing and part numbers are for actuated versions of standard spigot model.  
 Consult factory for pricing on true union or flanged actuated valves.  
 Actuated 342 valves are non-returnable / non-cancelable.



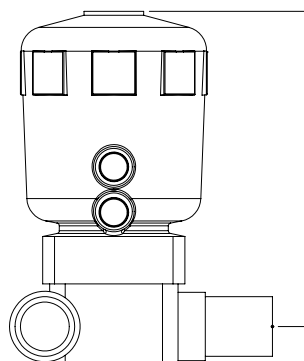
### T-343 DIAPHRAGM VALVE - MANUAL

Size													SDR 11 / PN 10 / 150 PSI		
mm	inch	s1	L	L1	L2	L3	L4	s2	d	h	K	E	Weight (lbs)	EPDM	PTFE
														Part Number	Part Number
20 x 20	1/2 x 1/2	0.075	6.457	1.417	1.417	4.409	4.213	0.075	3.346	0.638	0.965	M6	1.10	6345005	6346005
25 x 20	3/4 x 1/2	0.075	6.457	1.417	1.417	4.547	4.213	0.075	3.346	0.638	0.965	M6	1.12	6345101	6346101
25 x 25	3/4 x 3/4	0.091	6.457	1.417	1.417	4.547	4.213	0.091	3.346	0.638	0.965	M6	1.12	6345007	6346007
32 x 20	1 x 1/2	0.114	6.457	1.417	1.417	4.803	4.213	0.075	3.346	0.748	0.965	M6	1.12	6345130	6346130
32 x 25	1 x 3/4	0.114	6.457	1.417	1.417	4.803	4.213	0.091	3.346	0.748	0.965	M6	1.61	6345131	6346131
32 x 32	1 x 1	0.114	6.457	1.417	1.417	4.803	4.213	0.114	3.346	0.748	0.965	M6	3.48	6345010	6346010
40 x 20	1-1/4 x 1/2	0.146	7.244	1.811	1.417	5.000	4.287	0.098	3.346	0.787	0.965	M6	3.67	6345166	6346166
40 x 25	1-1/4 x 3/4	0.146	7.244	1.811	1.417	5.000	4.287	0.106	3.346	0.787	0.965	M6	5.39	6345167	6346167
40 x 32	1-1/4 x 1	0.146	7.244	1.811	1.417	5.000	4.484	0.114	3.346	0.787	0.965	M6	1.65	6345168	6346168
50 x 20	1-1/2 x 1/2	0.181	7.244	1.811	1.417	5.177	4.394	0.075	3.346	0.866	0.965	M6	1.80	6345208	6346208
50 x 32	1-1/2 x 1	0.181	7.244	1.811	1.417	5.177	4.591	0.114	3.346	0.866	0.965	M6	1.80	6345211	6346211
63 x 32	2 x 1	0.228	7.244	1.811	1.417	5.433	4.591	0.114	3.346	0.866	0.965	M6	1.96	6345249	6346249



### T-343 DIAPHRAGM VALVE - MANUAL w/ Sanitary Connector Branch

Size		s1	L	L1	L2	L3	L4	s2	d	h	K	E	SDR 11 / PN 10 / 150 PSI		
mm	inch												Weight	EPDM	PTFE
														Part Number	Part Number
20 x 20	1/2 x 1/2	0.075	6.457	1.417	1.417	5.509	4.213	0.075	3.346	0.638	0.965	M6	1.10	634505005	634605005
25 x 20	3/4 x 1/2	0.075	6.457	1.417	1.417	5.647	4.213	0.075	3.346	0.638	0.965	M6	1.12	634505101	634605101
25 x 25	3/4 x 3/4	0.091	6.457	1.417	1.417	5.647	4.213	0.091	3.346	0.638	0.965	M6	1.12	634505007	634605007
32 x 20	1 x 1/2	0.114	6.457	1.417	1.417	5.903	4.213	0.075	3.346	0.748	0.965	M6	1.12	634505130	634605130
32 x 25	1 x 3/4	0.114	6.457	1.417	1.417	5.903	4.213	0.091	3.346	0.748	0.965	M6	1.61	634505131	634605131
32 x 32	1 x 1	0.114	6.457	1.417	1.417	5.903	4.213	0.114	3.346	0.748	0.965	M6	3.48	634505010	634605010
40 x 20	1-1/4 x 1/2	0.146	7.244	1.811	1.417	6.100	4.287	0.098	3.346	0.787	0.965	M6	3.67	634505166	634605166
40 x 25	1-1/4 x 3/4	0.146	7.244	1.811	1.417	6.100	4.287	0.106	3.346	0.787	0.965	M6	5.39	634505167	634605167
40 x 32	1-1/4 x 1	0.146	7.244	1.811	1.417	6.100	4.484	0.114	3.346	0.787	0.965	M6	1.65	634505168	634605168
50 x 20	1-1/2 x 1/2	0.181	7.244	1.811	1.417	6.277	4.394	0.075	3.346	0.866	0.965	M6	1.80	634505208	634605208
50 x 32	1-1/2 x 1	0.181	7.244	1.811	1.417	6.277	4.591	0.114	3.346	0.866	0.965	M6	1.80	634505211	634605211
63 x 32	2 x 1	0.228	7.244	1.811	1.417	6.533	4.591	0.114	3.346	0.866	0.965	M6	1.96	634505249	634605249

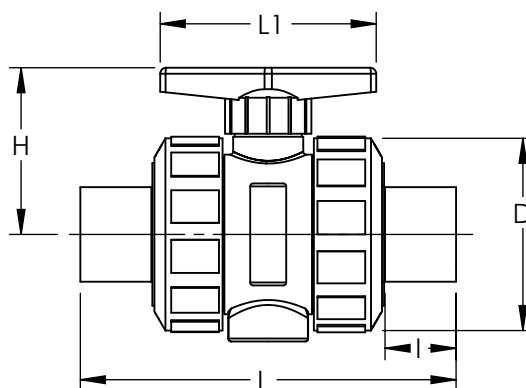


## T-343 DIAPHRAGM VALVE - ACTUATED

Size		Dimensions	EPDM DIAPHRAGM - SDR 11 / PN 10 / 150 PSI		
mm	inch	H	A-S NC Part Number	A-S NO Part Number	A-A Part Number
20 x 20	1/2 x 1/2	6.963	6342005	6377005	6378005
25 x 20	3/4 x 1/2	6.963	6342101	6377101	6378101
25 x 25	3/4 x 3/4	6.963	6342007	6377007	6378007
32 x 20	1 x 1/2	6.963	6342130	6377130	6378130
32 x 25	1 x 3/4	6.963	6342131	6377131	6378131
32 x 32	1 x 1	6.963	6342010	6377010	6378010
40 x 20	1-1/4 x 1/2	7.037	6342166	6377166	6378166
40 x 25	1-1/4 x 3/4	7.037	6342167	6377167	6378167
40 x 32	1-1/4 x 1	7.234	6342168	6377168	6378168
50 x 20	1-1/2 x 1/2	7.144	6342208	6377208	6378208
50 x 32	1-1/2 x 1	7.341	6342211	6377211	6378211
63 x 32	2 x 1	7.341	6342249	6377249	6378249

Size		Dimensions	PTFE DIAPHRAGM - SDR 11 / PN 10 / 150 PSI		
mm	inch	H	A-S NC Part Number	A-S NO Part Number	A-A Part Number
20 x 20	1/2 x 1/2	6.963	6344005	6385005	6386005
25 x 20	3/4 x 1/2	6.963	6344101	6385101	6386101
25 x 25	3/4 x 3/4	6.963	6344007	6385007	6386007
32 x 20	1 x 1/2	6.963	6344130	6385130	6386130
32 x 25	1 x 3/4	6.963	6344131	6385131	6386131
32 x 32	1 x 1	6.963	6344010	6385010	6386010
40 x 20	1-1/4 x 1/2	7.037	6344166	6385166	6386166
40 x 25	1-1/4 x 3/4	7.037	6344167	6385167	6386167
40 x 32	1-1/4 x 1	7.234	6344168	6385168	6386168
50 x 20	1-1/2 x 1/2	7.144	6344208	6385208	6386208
50 x 32	1-1/2 x 1	7.341	6344211	6385211	6386211
63 x 32	2 x 1	7.341	6344249	6385249	6386249

Actuated 343 valves are non-returnable / non-cancelable.



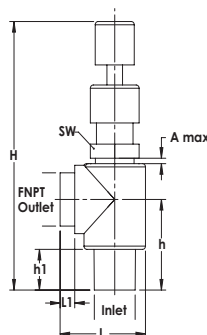
**BALL VALVE\* - FKM**

Size		Dimensions					Weight (lbs)	SDR 11 / PN 10 / 150 PSI	
								Butt Ends	
mm	inch	L	I	D	H	L1			
20	1/2	5.81	1.45	2.00	1.87	3.13	0.50	6354005	
25	3/4	6.39	1.45	2.50	2.63	3.75	0.80	6354007	
32	1	6.71	1.45	2.84	2.63	3.75	1.10	6354010	
40	1 1/4	7.83	1.50	4.08	3.50	4.50	2.30	6354012	
50	1 1/2	7.83	1.50	4.08	3.50	4.50	2.50	6354015	
63	2	7.83	1.50	4.08	3.50	4.50	2.70	6354020	

\*EPDM available, consult factory. Non-returnable / non-cancelable. Please allow for additional delivery time.

Size		Dimensions					Weight (lbs)	SDR 11 / PN 10 / 150 PSI	
								Socket Ends	Threaded Ends
mm	inch	L	I	D	H	L1	Part Number	Part Number	
20	1/2	4.13	0.61	2.00	1.87	3.13	0.50	6353005	6355005
25	3/4	4.75	0.63	2.50	2.63	3.75	0.80	6353007	6355007
32	1	5.38	0.79	2.84	2.63	3.75	1.10	6353010	6355010
40	1 1/4	6.70	0.94	4.08	3.50	4.50	2.30	6353012	6355012
50	1 1/2	6.75	0.96	4.08	3.50	4.50	2.50	6353015	6355015
63	2	7.90	1.54	4.08	3.50	4.50	2.70	6353020	6355020

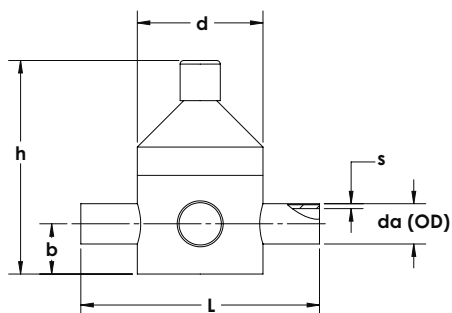
\*EPDM available (6358xxx), consult factory. Non-returnable / non-cancelable. Please allow for additional delivery time.



**ANGLE NEEDLE VALVE**

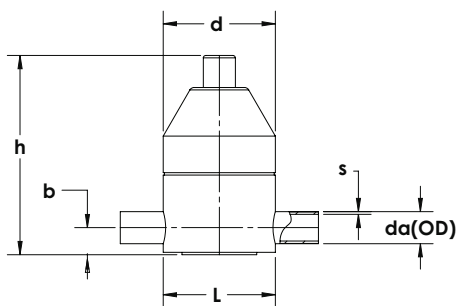
Size		Dimensions							SDR 11 / PN 10 / 150 PSI	
Inlet	Outlet	D	H	h	A max	L	L1	SW	Weight (lbs)	Part Number
20mm Butt	1/2" FNPT	1.18	4.67	1.38	0.35	1.97	0.55	1.06	0.23	6382005
1/4" FNPT	1/4" MNPT	0.79	3.72	1.16	0.28	1.48	0.31	0.81	0.23	6380002
1/2" FNPT	1/2" MNPT	1.18	4.63	1.34	0.35	1.97	0.55	1.06	0.23	6380005

Ideal for use with an instrumentation fitting.



### V82 PRESSURE REGULATOR WITH GAUGE GUARD

Size		Dimensions						Range psi	Weight (lbs)	SDR 11 / PN 10 / 150 PSI	
mm	inch	DN	d	L	b	h	s			EPDM	PTFE/FKM
										Part Number	Part Number
20	1/2	0.591	2.756	5.906	1.181	5.118	0.075	7.25-145	1.17	630251105	630241105
25	3/4	0.787	3.937	7.480	1.575	6.693	0.075	7.25-145	2.38	630251107	630241107
32	1	0.984	3.937	7.480	1.575	6.693	0.094	7.25-145	2.90	630251110	630241110
50	1-1/2	1.575	5.118	9.449	2.165	9.055	0.118	7.25-145	5.52	630251115	630241115
63	2	1.969	6.102	10.236	2.953	11.220	0.118	7.25-145	8.71	630251120	630241120



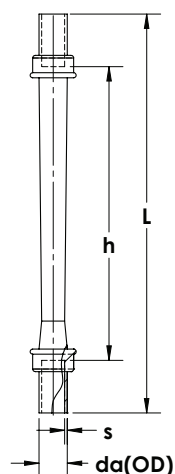
### V86 BACK PRESSURE REGULATOR

Size		Dimensions						Range psi	Weight (lbs)	SDR 11 / PN 10 / 150 PSI	
mm	inch	DN	d	L	b	h	s			EPDM	PTFE/FKM
										Part Number	Part Number
20	1/2	0.591	3.268	6.220	0.787	5.394	0.075	7.25-145	0.86	630254105	630244105
25	3/4	0.787	3.268	6.220	0.787	5.394	0.075	7.25-145	0.88	630254107	630244107
32	1	0.984	4.409	7.795	1.063	7.835	0.094	7.25-145	2.27	630254110	630244110
50	1-1/2	1.575	6.496	10.315	1.693	11.417	0.118	7.25-145	9.68	630254115	630244115
63	2	1.969	6.496	10.315	1.693	11.417	0.118	7.25-145	9.90	630254120	630244120





M335



**M335 FLOWMETER**

Size		Flow Rate	PA Tube, Spigot, FKM / SDR 11 / 150 PSI				
mm	inch		da(OD)	L	h	s	Part Number
20	1/2	0.44 -4.4 GPM (100 -1000 LPH)	0.787	17.91	13.19	0.075	630247010
25	3/4		0.984	17.91	13.19	0.091	630247011
25	3/4	0.88 -8.8 GPM (200 -2000 LPH)	0.984	17.91	13.19	0.091	630247012
32	1		1.26	17.91	13.19	0.114	630247013
25	3/4	1.1-11 GPM (250 -2500 LPH)	0.984	17.91	13.19	0.091	630247014
32	1		1.26	17.91	13.19	0.114	630247015
32	1	1.32 -13.2 GPM (300 -3000 LPH)	1.26	18.11	13.19	0.114	630247016
40	1-1/4		1.575	18.11	13.19	0.146	630247017
40	1-1/4	2.64 -26.4 GPM (600 -6000 LPH)	1.575	18.62	13.19	0.146	630247018
50	1-1/2		1.969	18.62	13.19	0.181	630247019
63	2		2.48	18.62	13.19	0.228	630247020
50	1-1/2	4.4 -44 GPM (1000 -10000 LPH)	1.969	18.62	13.19	0.181	630247021
63	2		2.48	18.62	13.19	0.228	630247022
75	2-1/2		2.953	18.62	13.19	0.268	630247023
63	2	6.6 -66 GPM (1500 -15000 LPH)	2.48	18.62	13.19	0.228	630247024
75	2-1/2		2.953	23.11	13.19	0.268	630247025
90	3		3.543	23.11	13.19	0.323	630247026
63	2	8.8 -88 GPM (2000 -20000 LPH)	2.48	23.11	13.19	0.228	630247027
75	2-1/2		2.953	23.11	13.19	0.268	630247028
90	3		3.543	23.11	13.19	0.323	630247029
110	4	13.2 -132 GPM (3000 -30000 LPH)	4.331	23.11	13.19	0.394	630247030
75	2-1/2		2.953	23.11	13.19	0.268	630247031
90	3		3.543	23.11	13.19	0.323	630247032
110	4		4.331	23.11	13.19	0.394	630247033



# Pigmented Polypropylene Piping System

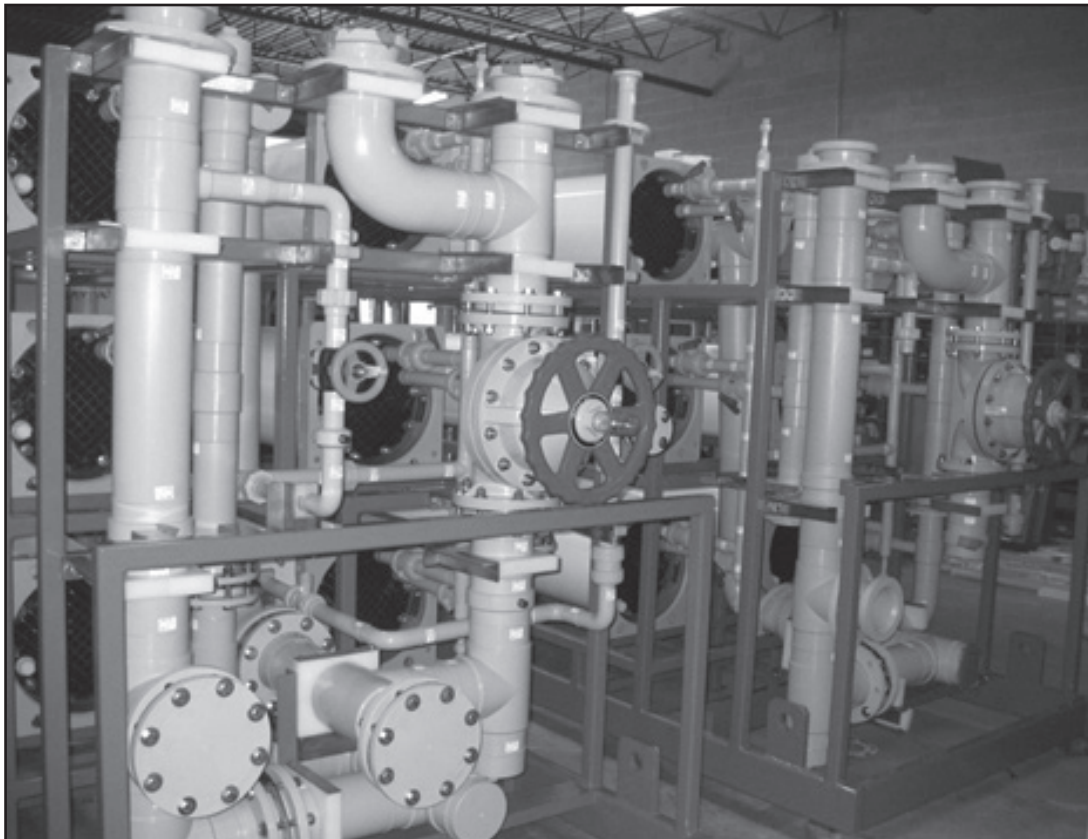


Photo courtesy of Agape Water Solutions Inc.

PP-Pure®

# PP-Pure®

Pigmented Polypropylene (PP)  
High Purity Piping System  
REV:HP0512PP

**Materials:** ASTM D4101 Group 2, Class 1 pigmented polypropylene random copolymer resin. Resin shall comply with FDA Code of Federal Regulators (CFR), Title 21, Chapter 1: Section 177.1520 determining suitability for contact with foodstuff

Pipe and fittings are certified to NSF 61-G.

**Pipe Production:** Dimensions and tolerances shall exceed ISO 15494 requirement.

**Fitting Production:** Dimensions and tolerances shall exceed ISO 15494 requirement. Fittings shall be molded with a central injection gate.

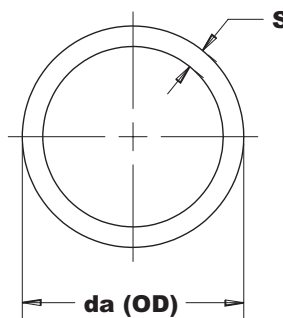
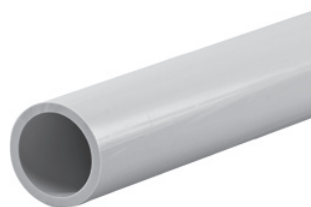
**Pressure Rating:** Components shall be pressure rated in accordance with ASTM D2837 and DIN 8077 for hydrostatic design basis. Components shall be manufactured to standard dimensional ratio (SDR) 11.

Based on continuous service life of 50 years at 68° F (20° C).

SDR11: 150psi (PN10)

PN = Nominal pressure in bar

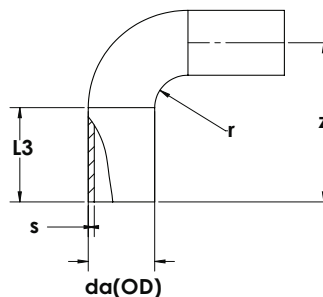
**Joining:** Available methods shall be according to the schedule below  
DVS 2207-11 Contact Butt: 1/2" (20mm) through 12" (315mm)  
DVS 2207-6 Non Contact IR: 1/2" (20mm) through 12" (315mm)  
Beadless Fusion: 1/2" (20mm) through 2" (63mm)



**PIPE** 5 meter (16.4') lengths

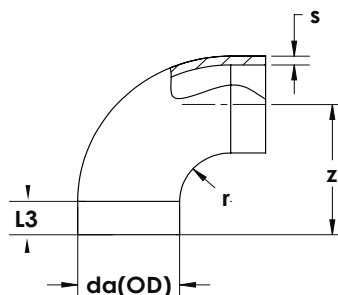
Size		Quantity per bag	SDR 11 / PN 10 / 150 PSI		
mm	inch		s	Weight (lbs/lth)	Part Number
20	1/2	5	0.075	1.21	9101005*
25	3/4	4	0.091	1.76	9101007*
32	1	3	0.114	2.87	9101010*
40	1-1/4	1	0.146	4.52	9101012
50	1-1/2	1	0.181	7.05	9101015
63	2	1	0.228	11.13	9101020
75	2-1/2	1	0.268	15.43	9101025
90	3	1	0.323	22.27	9101030
110	4	1	0.394	33.18	9101040
160	6	1	0.575	70.44	9101060
200	8	1	0.717	109.68	9101080
225	9	1	0.807	138.74	9101090
250	10	1	0.894	170.64	9101100
315	12	1	1.126	270.62	9101120

\*Sold in sealed bag quantities only.  
 20-32mm only sold in bagged tube quantities, 20mm 5 LTS, 25 4 LTS, 32 3 LTS



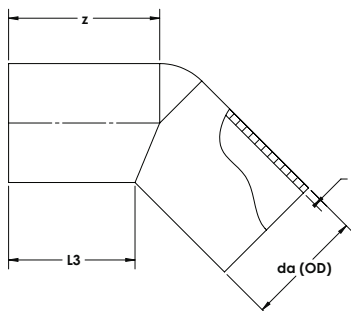
### EXTENDED LEG 90 DEGREE ELBOW

Size		Dimensions				SDR 11 / PN 10 / 150 PSI	
mm	inch	s	z	r	L3	Weight (lbs)	Part Number
20	1/2	0.075	2.323	0.787	1.457	0.04	9102005
25	3/4	0.091	2.618	0.984	1.535	0.07	9102007
32	1	0.114	3.091	1.260	1.732	0.11	9102010
40	1-1/4	0.146	3.602	1.575	1.929	0.20	9102012
50	1-1/2	0.181	4.213	1.969	2.205	0.31	9102015
63	2	0.228	5.000	2.480	2.520	0.59	9102020
75	2-1/2	0.268	5.827	2.953	2.835	0.95	9102025
90	3	0.323	6.535	3.543	2.953	1.57	9102030
110	4	0.394	7.421	4.331	2.953	2.54	9102040
160	6	0.575	10.020	6.299	3.543	7.21	9102060
200	8	0.717	12.303	7.874	4.252	13.34	9102080
225	9	0.807	13.563	8.858	4.528	18.30	9102090
250	10	0.894	15.315	9.843	5.236	21.738	9102100
315	12	1.126	18.701	12.402	6.220	43.696	9102120



### 90 DEGREE ELBOW

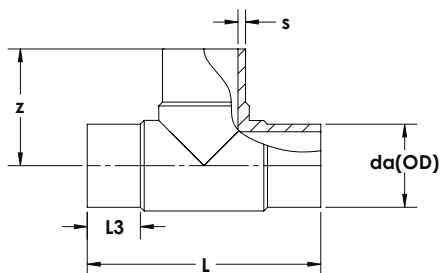
Size		Dimensions				SDR 11 / PN 10 / 150 PSI		
mm	inch	s	z	r	L3	Weight (lbs)	Part Number	List Price
250	10	0.894	12.303	7.874	4.252	13.34	9104100	746.00
315	12	1.126	13.563	8.858	4.528	18.30	9104120	1338.00
							<b>Discount Code</b>	<b>A</b>



### 45 DEGREE ELBOW

Size		Dimensions			SDR 11 / PN 10 / 150 PSI	
mm	inch	s	z	L3	Weight (lbs)	Part Number
20	1/2	0.075	1.732	1.535	0.02	9114005
25	3/4	0.091	1.890	1.654	0.04	9114007
32	1	0.114	2.244	1.929	0.09	9114010
40	1-1/4	0.146	2.480	2.087	0.13	9114012
50	1-1/2	0.181	2.756	2.244	0.22	9114015
63	2	0.228	3.150	2.520	0.42	9114020
75	2-1/2	0.268	3.543	2.756	0.59	9114025
90	3	0.323	4.094	3.228	0.97	9114030
110	4	0.394	4.252	3.228	1.54	9114040
160	6	0.575	6.161	4.587	4.61	9114060
200	8	0.717	6.713	4.744	7.72	9114080
225	9	0.807	7.185	4.941	10.56	9114090
250	10	0.894	8.543	6.299	14.51	9114100
315	12	1.126	10.079	6.968	27.12	9114120

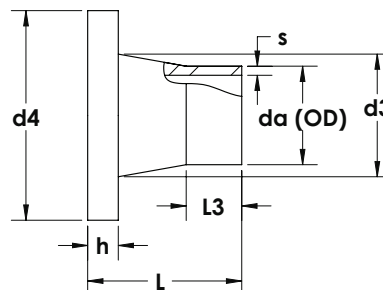
PP-Pure®



**TEE**

Size		Dimensions				SDR 11 / PN/10 / 150 PSI	
mm	inch	s	z	L	L3	Weight (lbs)	Part Number
20	1/2	0.075	1.339	2.677	0.689	0.04	9118005
25	3/4	0.091	1.575	3.150	0.807	0.07	9118007
32	1	0.114	1.772	3.543	0.807	0.09	9118010
40	1-1/4	0.146	1.969	3.937	0.807	0.15	9118012
50	1-1/2	0.181	2.362	4.724	0.906	0.29	9118015
63	2	0.228	2.835	5.669	0.984	0.53	9118020
75	2-1/2	0.268	2.953	5.984	0.591	0.88	9118025
90	3	0.323	4.134	8.386	1.496	1.63	9118030
110	4	0.394	4.803	9.961	2.008	2.73	9118040
160	6	0.575	6.811	13.622	2.244	6.90	9118060
200	8	0.717	7.972	15.748	2.244	11.84	9118080
225	9	0.807	8.760	17.520	2.244	18.54	9118090
250	10	0.894	9.252	18.504	2.835	23.26	9118100
315	12	1.126	10.827	21.654	3.150	42.47	9118120





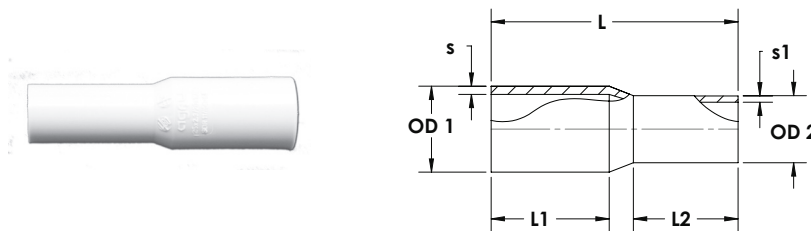
**STUB END\* (FLANGE ADAPTER)**

Size		Dimensions							SDR 11 / PN/10 / 150 PSI	
mm	inch	da	s	L	L3	d3	d4	h	Weight (lbs)	Part Number
20	1/2	0.787	0.075	2.047	1.181	1.063	1.752	0.276	0.04	9130005
25	3/4	0.984	0.091	1.969	0.984	1.299	2.130	0.354	0.07	9130007
32	1	1.260	0.114	1.969	0.984	1.575	2.500	0.394	0.11	9130010
40	1-1/4	1.575	0.146	1.969	0.787	1.969	2.815	0.433	0.13	9130012
50	1-1/2	1.969	0.181	1.969	0.787	2.402	3.250	0.472	0.18	9130015
63	2	2.480	0.228	1.969	0.709	2.953	3.953	0.551	0.29	9130020
75	2-1/2	2.953	0.268	1.969	0.709	3.504	4.606	0.630	0.42	9130025
90	3	3.543	0.323	3.150	1.575	4.134	5.213	0.669	0.68	9130030
110	4	4.331	0.394	3.150	1.496	4.921	6.220	0.709	0.99	9130040
160	6	6.299	0.575	3.622	1.496	6.890	8.346	0.984	2.25	9130060
200	8	7.874	0.717	4.331	1.575	9.134	10.551	1.260	4.32	9130080
225	9	8.858	0.807	4.449	2.047	9.252	10.551	1.260	3.97	9130090
250	10	9.843	0.894	5.197	2.283	11.220	12.598	1.378	7.45	9130100
315	12	12.402	1.126	5.354	2.559	13.189	14.567	1.378	7.81	9130120

\*Requires backing ring. See page 118.  
9" stub end uses 8" backing ring.

PP-Pure®

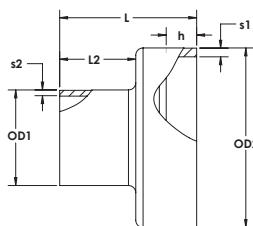




**CONCENTRIC REDUCER**

Size		Dimensions					SDR 11 / PN 10 / 150 PSI	
mm	inch	s	L	L1	L2	s1	Weight (lbs)	Part Number
25 x 20	3/4 x 1/2	0.091	3.425	1.575	1.614	0.075	0.04	9137101
32 x 20	1 x 1/2	0.118	3.622	1.693	1.535	0.075	0.067	9137130
32 x 25	1 x 3/4	0.118	3.622	1.732	1.535	0.091	0.067	9137131
40 x 20	1-1/4 x 1/2	0.146	4.016	1.890	1.535	0.075	0.089	9137166
40 x 25	1-1/4 x 3/4	0.146	4.016	1.890	1.535	0.091	0.089	9137167
40 x 32	1-1/4 x 1	0.146	4.016	1.890	1.772	0.118	0.089	9137168
50 x 25	1-1/2 x 3/4	0.181	4.646	2.165	1.732	0.091	0.13	9137210
50 x 32	1 1/2 x 1	0.181	4.646	2.323	1.811	0.118	0.15	9137211
50 x 40	1-1/2 x 1-1/4	0.181	4.961	2.244	1.929	0.146	0.18	9137212
63 x 32	2 x 1	0.228	5.354	2.520	1.929	0.118	0.24	9137249
63 x 40	2 x 1-1/4	0.228	5.039	2.323	1.969	0.146	0.26	9137250
63 x 50	2 x 1-1-1/2	0.228	5.906	2.598	2.323	0.181	0.31	9137251
75 x 50	2-1/2 x 1-1/2	0.268	5.827	2.520	2.283	0.181	0.37	9137291
75 x 63	2-1/2 x 2	0.268	5.866	2.559	2.323	0.228	0.44	9137292
90 x 63	3 x 2	0.323	6.181	2.835	2.362	0.228	0.57	9137338
90 x 75	3 x 2-1/2	0.323	6.417	2.953	2.362	0.268	0.64	9137339
110 x 63	4 x 2	0.394	7.087	3.268	2.480	0.228	0.95	9137420
110 x 90	4 x 3	0.394	6.968	3.228	2.874	0.323	1.10	9137422
160 x 90	6 x 3	0.575	8.543	4.016	2.913	0.323	2.29	9137531
160 x 110	6 x 4	0.575	8.740	3.858	3.465	0.394	2.58	9137532
200 x 160	8 x 6	0.717	9.921	4.409	4.016	0.575	4.98	9137585
225 x 160	9 x 6	0.807	10.630	5.039	3.976	0.575	6.37	9137606
250 x 160	10 x 6	0.894	12.362	6.102	4.449	0.575	9.00	9137627
250 x 200	10 x 8	0.894	12.362	6.102	4.921	0.717	9.70	9137628
250 x 225	10 x 9	0.894	12.402	6.024	5.236	0.807	9.70	9137629
315 x 200	12 x 8	1.126	14.764	7.047	5.236	0.717	16.25	9137659
315 x 250	12 x 10	1.126	14.764	6.693	6.102	0.894	18.06	9137673



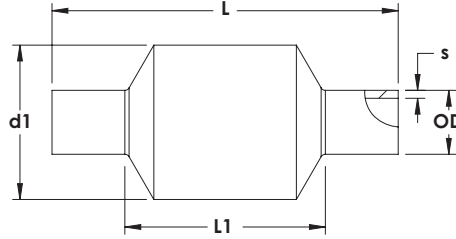
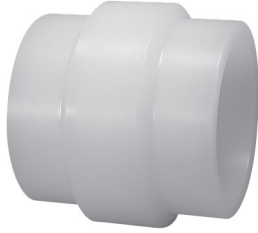


## MACHINED FLUSH REDUCER\*

Size		Dimensions			SDR 11*		Part Number
mm	inch	L	L2	h	s1	s2	
40 x 32	1-1/4 x 1	2.250	1.250	0.500	0.146	0.114	9148168
50 x 20	1-1/2 x 1/2	2.250	1.250	0.500	0.181	0.075	9148208
50 x 25	1-1/2 x 3/4	2.250	1.250	0.500	0.181	0.091	9148210
50 x 32	1-1/2 x 1	2.250	1.250	0.500	0.181	0.114	9148211
50 x 40	1-1/2 x 1-1/4	2.250	1.250	0.500	0.181	0.146	9148212
63 x 20	2 x 1/2	2.250	1.250	0.500	0.228	0.075	9148246
63 x 25	2 x 3/4	2.250	1.250	0.500	0.228	0.091	9148248
63 x 40	2 x 1-1/4	2.250	1.250	0.500	0.228	0.146	9148250
63 x 50	2 x 1-1/2	2.250	1.250	0.500	0.228	0.181	9148251
75 x 32	2-1/2 x 1	2.250	1.250	0.500	0.268	0.114	9148289
75 x 40	2-1/2 x 1-1/4	2.250	1.250	0.500	0.268	0.146	9148290
75 x 50	2-1/2 x 1-1/2	2.250	1.250	0.500	0.268	0.181	9148291
75 x 63	2-1/2 x 2	2.250	1.250	0.500	0.268	0.228	9148292
90 x 20	3 x 1/2	2.250	1.250	0.500	0.323	0.075	9148332
90 x 25	3 x 3/4	2.250	1.250	0.500	0.323	0.091	9148333
90 x 32	3 x 1	2.250	1.250	0.500	0.323	0.114	9148336
90 x 40	3 x 1-1/4	2.250	1.250	0.500	0.323	0.146	9148335
90 x 50	3 x 1-1/2	2.250	1.250	0.500	0.323	0.181	9148337
110 x 20	4 x 1/2	2.250	1.250	0.500	0.394	0.075	9148399
110 x 25	4 x 3/4	2.250	1.250	0.500	0.394	0.091	9148404
110 x 32	4 x 1	2.250	1.250	0.500	0.394	0.114	9148401
110 x 40	4 x 1-1/4	2.250	1.250	0.500	0.394	0.146	9148412
110 x 50	4 x 1-1/2	2.250	1.250	0.500	0.394	0.181	9148415
160 x 32	6 x 1	2.250	1.250	0.500	0.575	0.114	9148516
200 x 63	8 x 2	2.250	1.250	0.500	0.717	0.228	9148581
200 x 90	8 x 3	2.250	1.250	0.500	0.717	0.323	9148582
200 x 110	8 x 4	2.250	1.250	0.500	0.717	0.394	9148583
200 x 160	8 x 6	2.250	1.250	0.500	0.717	0.575	9148585

\*Machined items are non-returnable / non-cancelable.

\*Consult Asahi/America for pressure rating.

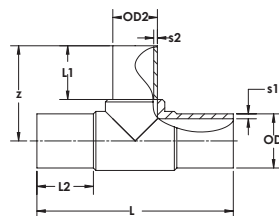


**INSTRUMENTATION FITTING\***

Size		Description	Dimensions						SDR 11 / PN 10 / 150 PSI	
mm	inch		da (OD)	d1	S	NPT	L	L1	Weight (lbs)	Part Number
20	1/2	Solid	0.790	1.900	0.075	-	4.250	1.969	0.684	9199005
20	1/2	1/4" Tap	0.790	1.900	0.075	0.250	4.250	1.969	0.684	9199096
25	3/4	Solid	0.980	2.360	0.091	-	4.500	1.969	0.573	9199007
25	3/4	1/4" Tap	0.980	2.360	0.091	0.250	4.500	1.969	0.573	9199103
32	1	Solid	1.260	2.650	0.114	-	4.500	1.969	0.595	9199010
32	1	1/4" Tap	1.260	2.650	0.114	0.250	4.500	1.969	0.595	9199104
32	1	1/2" Tap	1.260	2.650	0.114	0.500	4.500	1.969	0.595	9199130
40	1-1/4	Solid	1.570	3.060	0.146	-	4.500	1.969	0.882	9199012
40	1-1/4	1/4" Tap	1.570	3.060	0.146	0.250	4.500	1.969	0.882	9199159
40	1-1/4	1/2" Tap	1.570	3.060	0.146	0.500	4.500	1.969	0.882	9199166
50	1-1/2	Solid	1.970	3.300	0.181	-	4.500	1.969	0.904	9199015
50	1-1/2	1/4" Tap	1.970	3.300	0.181	0.250	4.500	1.969	0.904	9199207
50	1-1/2	1/2" Tap	1.970	3.300	0.181	0.500	4.500	1.969	0.904	9199208
63	2	Solid	2.480	3.800	0.228	-	4.500	1.969	0.860	9199020
63	2	1/4" Tap	2.480	3.800	0.228	0.250	4.500	1.969	0.860	9199244
63	2	1/2" Tap	2.480	3.800	0.228	0.500	4.500	1.969	0.860	9199246
75	2-1/2	Solid	2.950	4.130	0.268	-	5.000	1.969	1.433	9199025
75	2-1/2	1/4" Tap	2.950	4.130	0.268	0.250	5.000	1.969	1.433	9199283
75	2-1/2	1/2" Tap	2.950	4.130	0.268	0.500	5.000	1.969	1.433	9199285
90	3	Solid	3.540	4.480	0.323	-	5.000	1.969	1.367	9199030
90	3	1/4" Tap	3.540	4.480	0.323	0.250	5.000	1.969	1.367	9199330
90	3	1/2" Tap	3.540	4.480	0.323	0.500	5.000	1.969	1.367	9199332
110	4	Solid	4.330	5.000	0.394	-	5.000	1.969	1.830	9199040
110	4	1/4" Tap	4.330	5.000	0.394	0.250	5.000	1.969	1.830	9199402
110	4	1/2" Tap	4.330	5.000	0.394	0.500	5.000	1.969	1.830	9199399
160	6	Solid	6.300	7.000	0.575	-	5.000	1.969	4.013	9199060
160	6	1/4" Tap	6.300	7.000	0.575	0.250	5.000	1.969	4.013	9199509
160	6	1/2" Tap	6.300	7.000	0.575	0.500	5.000	1.969	4.013	9199512

\*Instrumentation fittings are a machined item, non-returnable / non-cancelable.

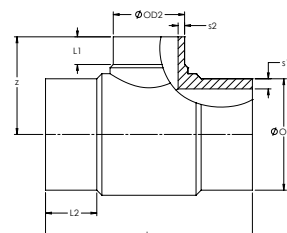
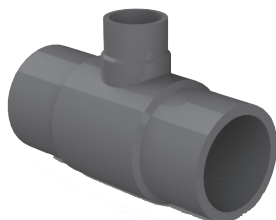




### REDUCING TEE

Size		Dimensions						SDR 11 / PN 10 / 150 PSI	
mm	inch	z	L	L1	L2	s1	s2	Weight	Part Number
63 x 32	2 x 1	4.055	8.661	1.969	2.480	0.228	0.114	0.617	9122249
63 x 50	2 x 1-1/2	4.055	8.661	2.480	2.205	0.228	0.181	0.637	9122251
75 x 32	2-1/2 x 1	4.232	10.433	2.756	1.811	0.268	0.114	1.098	9122289
75 x 50	2-1/2 x 1-1/2	4.449	10.433	2.854	2.205	0.268	0.181	1.162	9122291
75 x 63	2-1/2 x 2	4.606	10.236	2.835	2.480	0.268	0.228	1.182	9122292
90 x 63	3 x 2	5.453	10.827	3.189	2.520	0.323	0.228	1.603	9122338
90 x 75	3 x 2-1/2	5.433	10.945	3.031	2.677	0.323	0.268	1.700	9122339
110 x 63	4 x 2	6.260	12.402	3.425	2.559	0.394	0.228	2.698	9122420
110 x 75	4 x 2-1/2	5.945	12.402	3.346	2.756	0.394	0.268	2.584	9122421
110 x 90	4 x 3	6.102	12.402	3.346	3.130	0.394	0.323	2.690	9122422
160 x 63	6 x 2	6.890	13.661	3.937	2.638	0.575	0.228	5.820	9122530
160 x 90	6 x 3	7.165	13.740	3.976	3.150	0.575	0.323	6.016	9122531
160 x 110	6 x 4	7.953	15.748	3.937	3.346	0.575	0.394	7.275	9122532
200 x 63	8 x 2	8.898	22.047	5.315	3.189	0.717	0.228	15.675	9122581
200 x 90	8 x 3	9.016	22.047	5.276	3.740	0.717	0.323	14.725	9122582
200 x 110	8 x 4	9.646	22.047	5.354	4.134	0.717	0.394	15.543	9122583
200 x 160	8 x 6	10.827	22.205	5.394	4.646	0.717	0.575	18.387	9122585
225 x 90	9 x 3	8.898	17.717	4.724	3.110	0.807	0.323	14.506	9122604
225 x 110	9 x 4	8.898	17.677	4.724	3.346	0.807	0.394	14.705	9122607
225 x 160	9 x 6	9.843	19.606	4.724	4.016	0.807	0.575	18.122	9122659
250 x 110	10 x 4	9.724	24.882	3.425	5.984	0.894	0.394	27.139	9122626

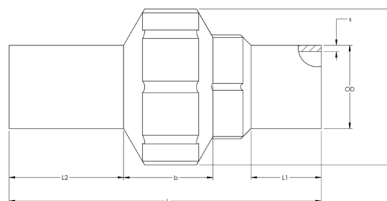
Tee run must be trimmed to fit in SP 110-S welding equipment when welding branch.



### REDUCING TEE

Size		Dimensions						SDR 11 / PN 10 / 150 PSI	
mm	inch	z	L	L1	L2	s1	s2	Weight	Part Number
90 x 32	3 x 1	3.346	8.386	2.244	0.906	0.323	0.114	1.250	9123336
90 x 50	3 x 1-1/2	3.543	8.386	2.244	1.063	0.323	0.181	1.248	9123337
110 x 32	4 x 1	3.701	9.606	2.756	0.906	0.394	0.114	2.000	9123401
110 x 50	4 x 1-1/2	4.055	9.606	2.756	1.063	0.394	0.181	2.141	9123415
250 X 110	10 X 4								9123626
250 x 160	10 x 6	8.622	18.268	4.528	2.441	0.894	0.575	17.152	9123627

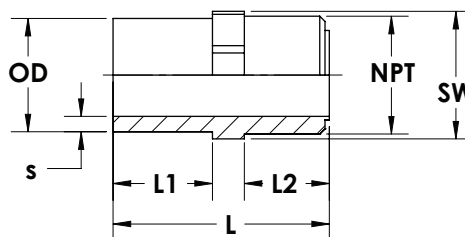
Tee run must be trimmed to fit in SP 110-S welding equipment when welding branch.



### UNION - FKM

Size		Dimensions						SDR 11 / PN 10 / 150 PSI	
mm	inch	s	L	L1	L2	d	b	Weight (lbs)	Part Number
20	1/2	0.0748	4.212	0.944	0.944	1.850	0.944	0.11	9134005
25	3/4	0.0905	4.409	0.944	0.944	2.244	1.023	0.18	9134007
32	1	0.1141	4.685	0.984	0.984	2.519	1.181	0.24	9134010
40	1-1/4	0.1456	4.921	0.984	0.984	3.070	1.220	0.40	9134012
50	1-1/2	0.1811	5.118	0.984	0.984	3.503	1.377	0.55	9134015
63	2	0.2283	5.354	0.984	0.984	4.291	1.535	0.88	9134020

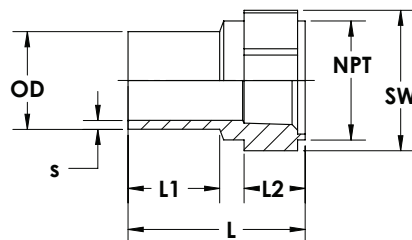
\*Items are non-stock, which are non-returnable / non-cancelable.  
 PVDF union blanks are available. See page 23.



### MALE ADAPTER

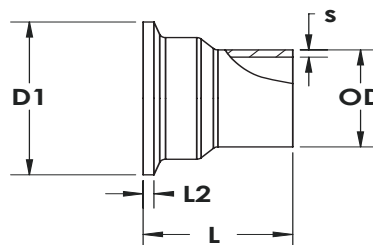
Size		Dimensions						SDR 11 / PN 10 / 150 PSI	
mm	inch	s	L	L1	L2	SW	NPT	Weight (lbs)	Part Number
20	1/2	0.098	1.811	0.748	0.709	0.866	1/2	0.02	9147005
25	3/4	0.106	2.008	0.866	0.787	1.063	3/4	0.02	9147007
32	1	0.114	2.402	1.102	0.945	1.417	1	0.07	9147010
40	1-1/4	0.146	2.598	1.142	1.024	1.811	1-1/4	0.13	9147012
50	1-1/2	0.181	2.913	1.260	1.102	2.165	1-1/2	0.13	9147015
63	2	0.228	3.150	1.378	1.220	2.559	2	0.13	9147020





### FEMALE ADAPTER

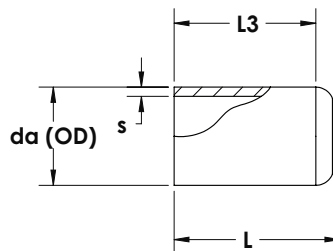
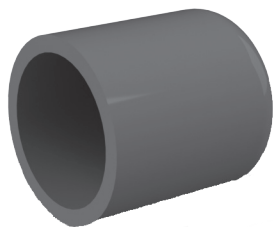
Size		Dimensions						SDR 11 / PN 10 / 150 PSI	
mm	inch	s	L	L1	L2	SW	NPT	Weight (lbs)	Part Number
20	1/2	0.075	1.772	0.827	0.630	1.260	1/2	0.02	9149005
25	3/4	0.091	1.969	0.984	0.669	1.614	3/4	0.07	9149007
32	1	0.114	2.283	1.181	0.787	1.811	1	0.09	9149010
40	1-1/4	0.146	2.441	1.181	0.945	2.165	1-1/4	0.13	9149012
50	1-1/2	0.181	2.677	1.339	0.945	2.756	1-1/2	0.22	9149015
63	2	0.228	2.953	1.417	1.102	3.346	2	0.35	9149020



### SANITARY ADAPTER

Size			Dimensions			SDR 11 / MOP 120 PSI		
mm	inch	Sanitary	L	L2	D1	s	Weight (lbs)	Part Number
20	1/2	3/4"	1.500	0.142	0.984	0.075	0.07	9145101
25	3/4	1"	1.500	0.110	1.984	0.091	0.07	9145131
32	1	1-1/2"	1.500	0.110	1.984	0.114	0.07	9145168
40	1-1/4	1-1/2"	1.500	0.110	1.984	0.146	0.09	9145212
50	1-1/2	2"	1.500	0.110	2.490	0.181	0.09	9145251
63	2	2-1/2"	1.500	0.110	2.990	0.228	0.09	9145292

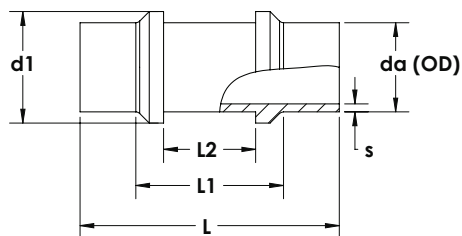
Please see page 122 for gaskets and clamps.  
Maximum operating pressure is 120psi.



**END CAP**

Size		Dimensions				SDR 11 / PN 10 / 150 PSI	
mm	inch	da	s	L	L3	Weight (lbs)	Part Number
20	1/2	0.787	0.075	1.850	1.614	0.02	9143005
25	3/4	0.984	0.091	1.929	1.614	0.02	9143007
32	1	1.260	0.114	2.165	1.850	0.04	9143010
40	1-1/4	1.575	0.146	2.520	2.008	0.07	9143012
50	1-1/2	1.969	0.181	2.874	2.362	0.11	9143015
63	2	2.480	0.228	3.307	2.677	0.22	9143020
75	2-1/2	2.953	0.268	3.661	2.953	0.35	9143025
90	3	3.543	0.323	4.213	3.307	0.55	9143030
110	4	4.331	0.394	5.276	3.819	0.93	9143040
160	6	6.299	0.575	6.575	4.665	2.29	9143060
200	8	7.874	0.717	7.126	5.000	4.54	9143080
225	9	8.858	0.807	8.307	5.551	6.35	9143090
250	10	9.843	0.894	9.055	5.984	8.51	9143100
315	12	12.402	1.126	10.315	7.087	15.43	9143120





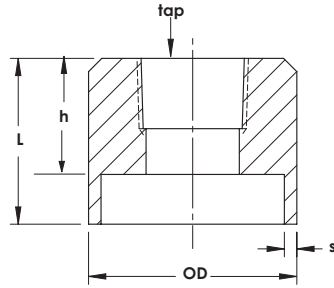
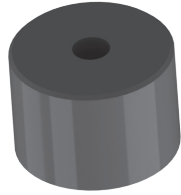
### RESTRAINT FITTING - MACHINED

Size		Dimensions						SDR 11 / PN 10 / 150 PSI	
mm	inch	da	s	L	L1	L2	d1	Weight (lbs)	Part Number
20	1/2	0.787	0.0748	3.661	2.086	1.299	1.102	0.066	9161005
25	3/4	0.984	0.0905	3.661	2.086	1.299	1.299	0.066	9161007
32	1	1.260	0.1141	3.661	2.086	1.299	1.574	0.066	9161010
40	1-1/4	1.575	0.1456	3.661	2.086	1.299	1.889	0.066	9161012
50	1-1/2	1.969	0.1811	4.448	2.086	1.299	2.283	0.066	9161015
63	2	2.480	0.2283	4.330	1.968	1.220	2.795	0.279	9161020
75	2-1/2	2.953	0.2677	5.118	2.755	1.574	3.425	0.474	9161025
90	3	3.543	0.3228	5.118	2.755	1.574	4.133	0.694	9161030
110	4	4.331	0.3937	5.118	2.755	1.574	4.999	1.709	9161040
160	6	6.299	0.5748	6.299	3.937	2.362	7.086	2.635	9161060
200	8	7.874	0.7165	7.874	4.330	2.362	8.858	4,200	9161080
225	9	8.858	0.8070	7.874	4.330	2.362	9.842	4.630	9161090

Restraint fittings are a machined item, non-returnable / non-cancelable.

PP-Pure®



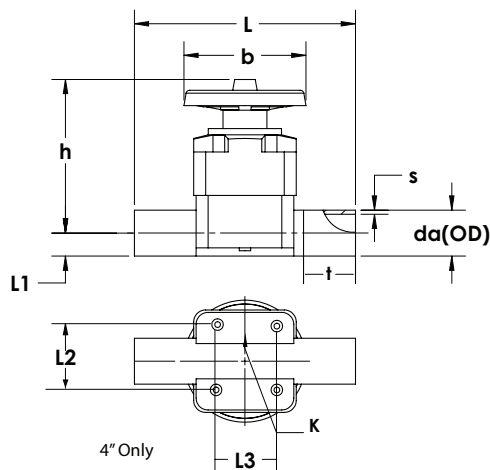


**PROBE ADAPTER\***

Size		Description	Dimensions			SDR 11 / PN 10 / 150 PSI
mm	inch		h	L	s	Part Number
20	1/2	Solid	1.00	1.50	0.075	9166005
20	1/2	1/4" Tap	1.00	1.50	0.075	9166096
25	3/4	Solid	1.00	1.50	0.075	9166007
25	3/4	1/4" Tap	1.00	1.50	0.075	9166103
32	1	Solid	1.00	1.50	0.094	9166010
32	1	1/4" Tap	1.00	1.50	0.094	9166104
32	1	1/2" Tap	1.00	1.50	0.094	9166130
40	1-1/4	Solid	1.00	1.50	0.094	9166012
40	1-1/4	1/4" Tap	1.00	1.50	0.094	9166159
40	1-1/4	1/2" Tap	1.00	1.50	0.094	9166166
50	1-1/2	Solid	1.00	1.50	0.118	9166015
50	1-1/2	1/4" Tap	1.00	1.50	0.118	9166207
50	1-1/2	1/2" Tap	1.00	1.50	0.118	9166208
63	2	Solid	1.00	1.50	0.118	9166020
63	2	1/4" Tap	1.00	1.50	0.118	9166244
63	2	1/2" Tap	1.00	1.50	0.118	9166246
75	2-1/2	Solid	1.00	1.50	0.141	9166025
75	2-1/2	1/4" Tap	1.00	1.50	0.141	9166283
75	2-1/2	1/2" Tap	1.00	1.50	0.141	9166285
90	3	Solid	1.00	1.50	0.169	9166030
90	3	1/4" Tap	1.00	1.50	0.169	9166330
90	3	1/2" Tap	1.00	1.50	0.169	9166332
110	4	Solid	1.00	1.50	0.209	9166040
110	4	1/4" Tap	1.00	1.50	0.209	9166402
110	4	1/2" Tap	1.00	1.50	0.209	9166399

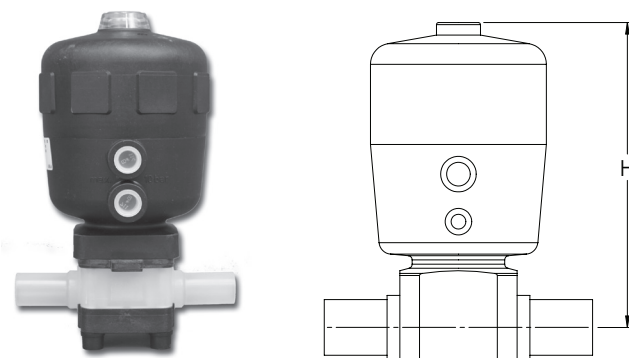
\*Probe adapters are a machined item, non-returnable / non-cancelable.





### T-342 DIAPHRAGM VALVE - MANUAL

Size		Dimensions									SDR 11 / PN 10 / 150 PSI		
mm	inch	s	L	L1	L2	L3	h	b	t	K	Weight (lbs)	EPDM Diaphragm	PTFE Diaphragm
												Part Number	Part Number
20	1/2	0.098	5.236	0.650	0.965	-	3.937	3.346	1.279	M6	1.01	1174005	1403005
25	3/4	0.106	5.669	0.650	0.965	-	3.937	3.346	1.279	M6	1.01	1174007	1403007
32	1	0.114	6.063	0.807	0.965	-	4.213	3.346	1.279	M6	1.43	1174010	1403010
40	1-1/4	0.146	7.598	1.004	1.732	-	5.669	5.315	1.279	M8	3.52	1174012	1403012
50	1-1/2	0.181	7.638	1.260	1.732	-	5.669	5.315	1.279	M8	3.30	1174015	1403015
63	2	0.228	8.819	1.516	1.732	-	6.693	5.315	1.279	M8	4.97	1174020	1403020
75	2-1/2	0.268	11.181	0.984	9.055	-	10.000	9.213	1.279	M12	12.65	1174025	1403025
90	3	0.323	11.811	0.984	9.055	-	10.000	9.213	1.279	M12	11.66	1174030	1403030
110	4	0.394	13.386	0.984	11.024	3.346	12.598	9.213	1.279	M12	22.22	1174040	1403040



### T-342 DIAPHRAGM VALVE - ACTUATED

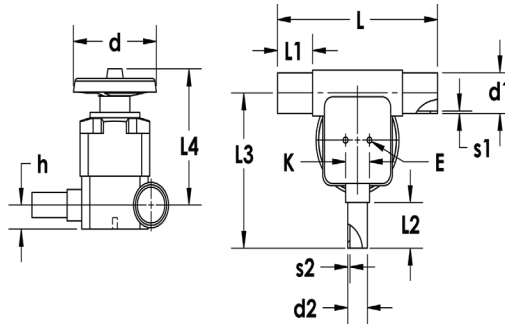
Size		Dimensions	EPDM DIAPHRAGM -SDR 11 / PN 10 / 150 PSI		
mm	inch	H	A-S NC Part Number	A-S NO Part Number	A-A Part Number
20	1/2	6.69	9119005	9120005	9121005
25	3/4	6.69	9119007	9120007	9121007
32	1	6.89	9119010	9120010	9121010
40	1-1/4	10.75	9119012	9120012	9121012
50	1-1/2	10.75	9119015	9120015	9121015
63	2	10.91	9119020	9120020	9121020

Pricing and part numbers are for actuated versions of standard spigot model.  
 Consult factory for pricing on true union or flanged actuated valves.  
 Actuated 342 valves are non-returnable / non-cancelable.

Size		Dimensions	PTFE DIAPHRAGM -SDR 11 / PN 10 / 150 PSI		
mm	inch	H	A-S NC Part Number	A-S NO Part Number	A-A Part Number
20	1/2	6.69	9125005	9126005	9127005
25	3/4	6.69	9125007	9126007	9127007
32	1	6.89	9125010	9126010	9127010
40	1-1/4	10.75	9125012	9126012	9127012
50	1-1/2	10.75	9125015	9126015	9127015
63	2	10.91	9125020	9126020	9127020

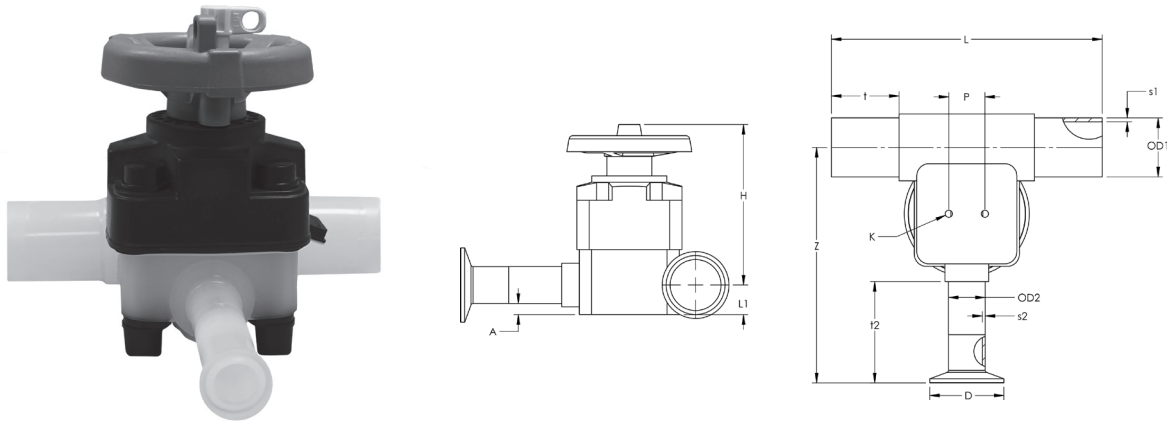
Pricing and part numbers are for actuated versions of standard spigot model.  
 Consult factory for pricing on true union or flanged actuated valves.  
 Actuated 342 valves are non-returnable / non-cancelable.





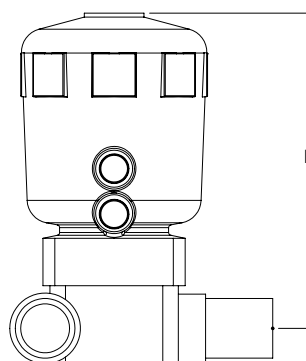
### T-343 DIAPHRAGM VALVE - MANUAL

Size													SDR 11 / PN 10 / 150 PSI		
mm	inch	s1	L	L1	L2	L3	L4	s2	d	h	K	E	Weight (lbs)	EPDM Part Number	PTFE Part Number
20 x 20	1/2 x 1/2	0.075	6.457	1.417	1.417	4.409	4.213	0.075	3.346	0.638	0.965	M6	1.10	9128005	9146005
25 x 20	3/4 x 1/2	0.075	6.457	1.417	1.417	4.547	4.213	0.075	3.346	0.638	0.965	M6	1.12	9128101	9146101
25 x 25	3/4 x 3/4	0.091	6.457	1.417	1.417	4.547	4.213	0.091	3.346	0.638	0.965	M6	1.12	9128007	9146007
32 x 20	1 x 1/2	0.114	6.457	1.417	1.417	4.803	4.213	0.075	3.346	0.748	0.965	M6	1.12	9128130	9146130
32 x 25	1 x 3/4	0.114	6.457	1.417	1.417	4.803	4.213	0.091	3.346	0.748	0.965	M6	1.61	9128131	9146131
32 x 32	1 x 1	0.114	6.457	1.417	1.417	4.803	4.213	0.114	3.346	0.748	0.965	M6	3.48	9128010	9146010
40 x 20	1-1/4 x 1/2	0.146	7.244	1.811	1.417	5.000	4.287	0.098	3.346	0.787	0.965	M6	3.67	9128166	9146166
40 x 25	1-1/4 x 3/4	0.146	7.244	1.811	1.417	5.000	4.287	0.106	3.346	0.787	0.965	M6	5.39	9128167	9146167
40 x 32	1-1/4 x 1	0.146	7.244	1.811	1.417	5.000	4.484	0.114	3.346	0.787	0.965	M6	1.65	9128168	9146168
50 x 20	1-1/2 x 1/2	0.181	7.244	1.811	1.417	5.177	4.394	0.075	3.346	0.866	0.965	M6	1.80	9128208	9146208
50 x 32	1-1/2 x 1	0.181	7.244	1.811	1.417	5.177	4.591	0.114	3.346	0.866	0.965	M6	1.80	9128211	9146211
63 x 32	2 x 1	0.228	7.244	1.811	1.417	5.433	4.591	0.114	3.346	0.866	0.965	M6	1.96	9128249	9146249



**T-343 DIAPHRAGM VALVE - MANUAL w/ Sanitary Connector Branch**

Size		s1	L	L1	L2	L3	L4	s2	d	h	K	E	SDR 11 / PN 10 / 150 PSI		
mm	inch												Weight (lbs)	EPDM	PTFE
														Part Number	Part Number
20 x 20	1/2 x 1/2	0.075	6.457	1.417	1.417	5.509	4.213	0.075	3.346	0.638	0.965	M6	1.10	912805005	914605005
25 x 20	3/4 x 1/2	0.075	6.457	1.417	1.417	5.647	4.213	0.075	3.346	0.638	0.965	M6	1.12	912805101	914605101
25 x 25	3/4 x 3/4	0.091	6.457	1.417	1.417	5.647	4.213	0.091	3.346	0.638	0.965	M6	1.12	912805007	914605007
32 x 20	1 x 1/2	0.114	6.457	1.417	1.417	5.903	4.213	0.075	3.346	0.748	0.965	M6	1.12	912805130	914605130
32 x 25	1 x 3/4	0.114	6.457	1.417	1.417	5.903	4.213	0.091	3.346	0.748	0.965	M6	1.61	912805131	914605131
32 x 32	1 x 1	0.114	6.457	1.417	1.417	5.903	4.213	0.114	3.346	0.748	0.965	M6	3.48	912805010	914605010
40 x 20	1-1/4 x 1/2	0.146	7.244	1.811	1.417	6.100	4.287	0.098	3.346	0.787	0.965	M6	3.67	912805166	914605166
40 x 25	1-1/4 x 3/4	0.146	7.244	1.811	1.417	6.100	4.287	0.106	3.346	0.787	0.965	M6	5.39	912805167	914605167
40 x 32	1-1/4 x 1	0.146	7.244	1.811	1.417	6.100	4.484	0.114	3.346	0.787	0.965	M6	1.65	912805168	914605168
50 x 20	1-1/2 x 1/2	0.181	7.244	1.811	1.417	6.277	4.394	0.075	3.346	0.866	0.965	M6	1.80	912805208	914605208
50 x 32	1-1/2 x 1	0.181	7.244	1.811	1.417	6.277	4.591	0.114	3.346	0.866	0.965	M6	1.80	912805211	914605211
63 x 32	2 x 1	0.228	7.244	1.811	1.417	6.533	4.591	0.114	3.346	0.866	0.965	M6	1.96	912805249	914605249



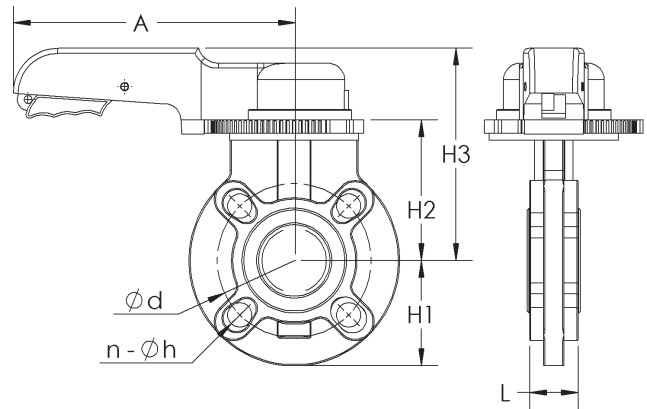
## T-343 DIAPHRAGM VALVE - ACTUATED

Size		Dimensions	EPDM DIAPHRAGM - SDR 11 / PN 10 / 150 PSI		
mm	inch	H	A-S NC Part Number	A-S NO Part Number	A-A Part Number
20 X 20	1/2 X 1/2	6.963	9131005	9132005	9133005
32 X 20	1 X 1/2	6.963	9131130	9132130	9133130
32 X 25	1 X 3/4	6.963	9131317	9132317	9133317
32 X 32	1 X 1	6.963	9131010	9132010	9133010
40 X 20	1-1/4 X 1/2	7.037	9131166	9132166	9133166
40 X 25	1-1/4 X 3/4	7.037	9131167	9132167	9133167
40 X 32	1-1/4 X 1	7.234	9131168	9132168	9133168
50 X 20	1-1/2 X 1/2	7.144	9131208	9132208	9133208
50 X 32	1-1/2 X 1	7.341	9131211	9132211	9133211
63 X 32	2 X 1	7.341	9131249	9132249	9133249

Pricing and part numbers are for actuated versions of standard spigot model.  
Consult factory for pricing on true union or flanged actuated valves.  
Actuated 342 valves are non-returnable / non-cancelable.

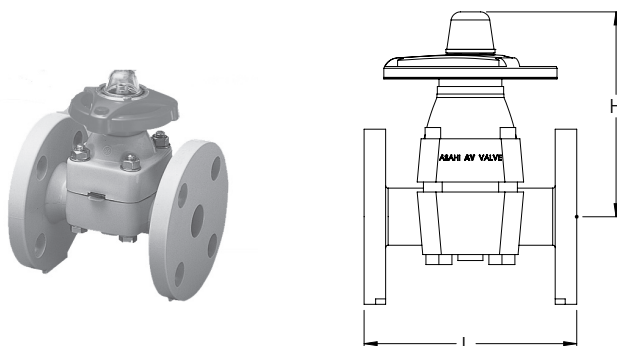
Size		Dimensions	PTFE DIAPHRAGM - SDR 11 / PN 10 / 150 PSI		
mm	inch	H	A-S NC Part Number	A-S NO Part Number	A-A Part Number
20 X 20	1/2 X 1/2	6.963	9117005	9142005	9167005
32 X 20	1 X 1/2	6.963	9117130	9142130	9167130
32 X 25	1 X 3/4	6.963	9117131	9142131	9167131
32 X 32	1 X 1	6.963	9117010	9142010	9167010
40 X 20	1-1/4 X 1/2	7.037	9117166	9142166	9167166
40 X 25	1-1/4 X 3/4	7.037	9117167	9142167	9167167
40 X 32	1-1/4 X 1	7.234	9117168	9142168	9167168
50 X 20	1-1/2 X 1/2	7.144	9117208	9142208	9167208
50 X 32	1-1/2 X 1	7.341	9117211	9142211	9167211
63 X 32	2 X 1	7.341	9117249	9142249	9167249

Pricing and part numbers are for actuated versions of standard spigot model.  
Consult factory for pricing on true union or flanged actuated valves.  
Actuated 342 valves are non-returnable / non-cancelable.



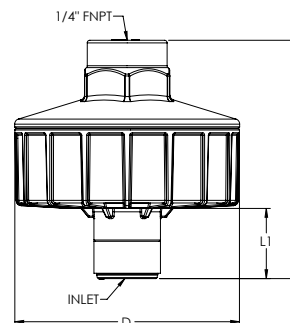
### PP TYPE-57P FLANGED BUTTERFLY VALVES

OD		Dimensions					ANSI / PN 10 / 150 PSI	
mm	inch	A	H1	H2	H3	L	PP DISC/EPDM Part Number	PP DISC/FKM Part Number
50	1-1/2	8.66	2.95	3.94	2.20	1.54	1447015	1449015
63	2	8.66	3.25	4.33	2.20	1.65	1447020	1449020
75	2-1/2	8.66	3.64	4.72	2.20	1.81	1447025	1449025
90	3	9.84	4.15	5.31	2.20	1.81	1447030	1449030
110	4	9.84	4.69	5.91	2.20	2.20	1447040	1449040
160	6	12.60	5.20	6.61	2.72	2.60	1447060	1449060
200	8	12.60	5.61	7.20	2.72	2.80	1447080	1449080
250	10	15.75	8.31	9.49	3.62	3.43	1447100	1449100
315	12	11.93	9.61	11.73	4.25	4.15	1447120	1449120



### PP TYPE-14/15 FLANGED DIAPHRAGM VALVES

Size		Dimensions		ANSI / PN 10 / 150 PSI	
				PPG BONNET/PTEFE DIA.	PVDF BONNET/PTEFE DIA.
mm	inch	h	L	Part Number	Part Number
20	1/2	0.62	4.25	1517005	1439005
25	3/4	0.62	5.88	1517007	1439007
32	1	0.62	5.88	1517010	1439010
40	1-1/4	0.62	6.38	1517012	1439012
50	1-1/2	0.62	6.94	1517015	1439015
63	2	0.75	7.94	1517020	1439020
75	2-1/2	0.75	9.84	1517025	1439025
90	3	0.75	10.38	1517030	1439030
110	4	0.75	12.94	1517040	1439040
160	6	0.88	18.90	1517060	1439060
200	8	0.88	22.24	1517080	1439080
250	10	0.98	26.77	1517100	1439100

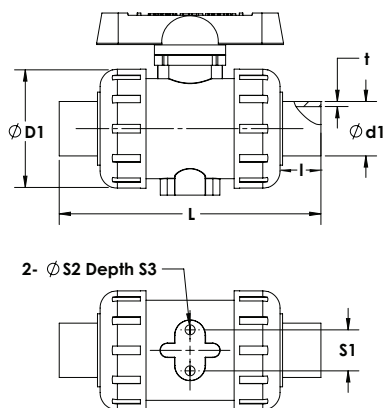


### Z801 GAUGE GUARD

Inlet Size	Description	Dimensions			SDR 11 / PN10 / 150 PSI
		D	L	L1	Part Number
1/4" FNPT	TFM Backed EPDM Diaphragm	3.327	4.024	1.004	17801309
1/2" FNPT	TFM Backed EPDM Diaphragm	3.327	4.024	1.004	17801310
25mm Butt	TFM Backed EPDM Diaphragm	3.327	4.673	1.654	17801307
32mm Butt	TFM Backed EPDM Diaphragm	3.327	4.673	1.654	17801308

Gauge not included. Items are non-returnable / non-cancelable.

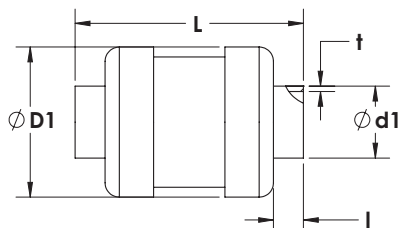




**TYPE-21 BALL VALVE\***

Size		Dimension								Weight (lbs)	EPDM O-Rings	FKM O-Rings
mm	inch	D1	d1	l	t	L	S1	S2	S3		SDR 11 / PN 10 / 150 PSI	SDR 11 / PN 10 / 150 PSI
											Part Number	Part Number
20	1/2	1.89	0.787	0.728	0.098	4.882	0.75	0.29	0.43	0.50	1434005	1485005
25	3/4	2.36	0.984	0.866	0.106	5.670	0.75	0.29	0.43	0.80	1434007	1485007
32	1	2.76	1.260	0.866	0.118	6.063	0.75	0.29	0.43	1.10	1434010	1485010
40	1-1/4	3.23	1.575	1.024	0.146	6.850	1.18	0.35	0.59	2.30	1434012	1485012
50	1-1/2	3.94	1.969	1.260	0.181	7.638	1.18	0.35	0.59	2.50	1434015	1485015
63	2	4.96	2.480	1.414	0.228	8.819	1.18	0.35	0.59	2.70	1434020	1485020
75	2-1/2	5.24	2.953	1.496	0.272	9.72	1.84	N/A	N/A	6.20	1434025	1485025
90	3	5.98	3.543	1.496	0.323	11.61	2.17	N/A	N/A	9.70	1434030	1485030
110	4	8.27	4.331	1.752	0.394	12.72	2.56	N/A	N/A	24.0	1434040	1485040

Cleaned and bagged.  
\*Spigot ends.



**BALL CHECK VALVE\***

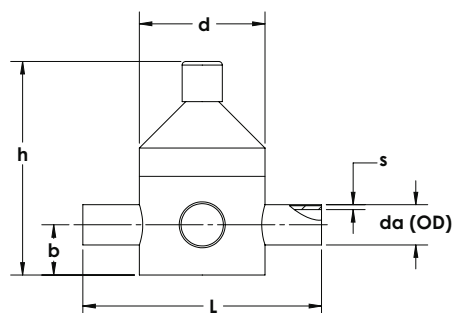
Size		Dimensions					EPDM O-Rings	FKM O-Rings
mm	inch	D	d1	l	t	L	SDR 11 / PN 10 / 150 PSI	SDR 11 / PN 10 / 150 PSI
							Part Number	Part Number
20	1/2	1.89	0.787	0.728	0.098	4.00	1436005	1430005
25	3/4	2.36	0.984	0.866	0.106	4.35	1436007	1430007
32	1	2.76	1.260	0.866	0.118	4.75	1436010	1430010
40	1-1/4	3.78	-	-	-	-	1436012	1430012
50	1-1/2	3.78	1.969	1.260	0.181	5.75	1436015	1430015
63	2	4.17	2.480	1.414	0.228	6.50	1436020	1430020
90	3	3.07	3.51	1.400	0.170	8.48	1436030	1430030
110	4	3.94	4.29	1.630	0.210	11.46	1436040	1430040

Cleaned and bagged.  
\*Spigot ends.





V82

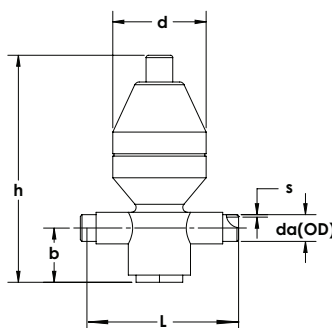


**V82 PRESSURE REGULATOR WITH GAUGE GUARD**

Size		Dimensions					Range	Weight (lbs)	EPDM	PTFE/FKM
mm	inch	d	L	b	h	s	psi		SDR 11 / PN 10 / 150 PSI	SDR 11 / PN 10 / 150 PSI
							Part Number		Part Number	
20	1/2	2.756	5.906	1.181	5.118	0.075	7.25-145	1.17	910251005	910241005
25	3/4	3.937	7.480	1.575	6.693	0.091	7.25-145	2.38	910251007	910241007
32	1	3.937	7.480	1.575	6.693	0.114	7.25-145	2.90	910251010	910241010
40	1-1/4	5.118	9.449	2.165	9.055	0.146	7.25-145	5.52	910251012	910241012
50	1-1/2	5.118	9.449	2.165	9.055	0.181	7.25-145	5.52	910251015	910241015
63	2	6.102	10.236	2.953	11.220	0.228	7.25-145	8.71	910251020	910241020
75	2-1/2	7.480	11.811	3.937	13.780	0.268	7.25-145	17.40	910251025	910241025
90	3	9.845	14.173	4.724	16.732	0.323	14.00-90	-	910251030	910241030
100	4	11.811	16.335	5.906	19.488	0.394	14.00-60	-	910251040	910241040



V782



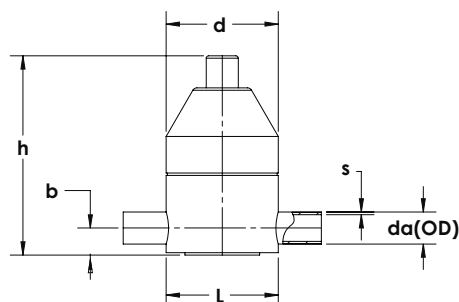
**V782 PRESSURE REGULATOR**

Size		Dimensions					Range	Weight (lbs)	EPDM	PTFE/FKM
mm	inch	d	L	b	h	s	psi		SDR 11 / PN 10 / 150 PSI	SDR 11 / PN 10 / 150 PSI
							Part Number		Part Number	
20	1/2	3.268	6.772	1.890	9.449	0.075	7.25-145	1.10	910253005	910243005
25	3/4	4.409	7.480	2.559	10.709	0.091	7.25-145	3.08	910253007	910243007
32	1	4.409	7.480	2.559	10.709	0.114	7.25-145	3.08	910253010	910243010
40	1-1/4	6.496	10.315	3.740	14.016	0.146	7.25-145	8.58	910253012	910243012
50	1-1/2	6.496	10.315	3.740	14.016	0.181	7.25-145	8.58	910253015	910243015

PP-Pure®



V186

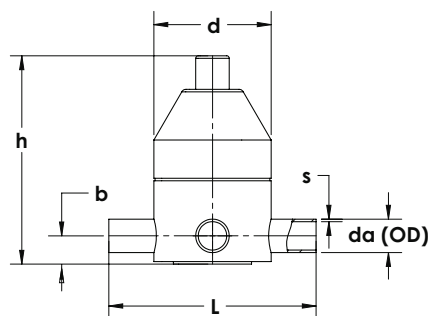


### V186 BACK PRESSURE REGULATOR

Size		Dimensions					Range	Weight (lbs)	EPDM		PTFE/FKM	
mm	inch	d	L	b	h	s	psi		SDR 11 / PN 10 / 150 PSI		SDR 11 / PN 10 / 150 PSI	
									Part Number	List Price	Part Number	List Price
20	1/2	3.268	6.220	0.787	5.394	0.075	7.25-145	0.86	910254005	366.20	910244005	397.80
25	3/4	3.268	6.220	0.787	5.394	0.091	7.25-145	0.88	910254007	489.60	910244007	525.30
32	1	4.409	7.795	1.063	7.835	0.114	7.25-145	2.27	910254010	527.30	910244010	569.20
40	1-1/4	4.409	7.795	1.063	7.835	0.146	7.25-145	2.27	910254012	671.20	910244012	705.80
50	1-1/2	6.496	10.315	1.693	11.417	0.181	7.25-145	9.68	910254015	696.70	910244015	784.40
63	2	6.496	10.315	1.693	11.417	0.228	7.25-145	9.90	910254020	1354.60	910244020	1387.20



V185/85

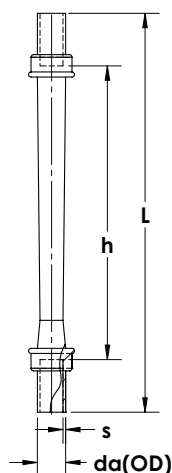


### V185 PRESSURE RELIEF T-VALVE

Size		Dimensions					Range	Weight (lbs)	EPDM		PTFE/FKM	
mm	inch	d	L	b	h	s	psi		SDR 11 / PN 10 / 150 PSI		SDR 11 / PN 10 / 150 PSI	
									Part Number		Part Number	
20	1/2	3.268	6.220	0.787	5.394	0.075	7.25-145	0.88	910255005		910245005	
25	3/4	3.268	6.220	0.787	5.394	0.091	7.25-145	1.98	910255007		910245007	
32	1	4.409	7.795	1.063	7.835	0.114	7.25-145	1.98	910255010		910245010	
40	1-1/4	4.409	7.795	1.063	7.835	0.146	7.25-145	2.40	910255012		910245012	
50	1-1/2	6.496	10.315	1.693	11.417	0.181	7.25-145	9.68	910255015		910245015	
63	2	6.496	10.315	1.693	11.417	0.228	7.25-145	9.90	910255020		910245020	



M335



### M335 FLOWMETER

Size		Flow Rate	Spigot, FKM SDR 11 / 150 PSI				Part Number
mm	inch		da(OD)	L	h	s	
20	1/2	0.44 -4.4 GPM (100 -1000 LPH)	0.787	17.91	13.19	0.075	910247010
25	3/4		0.984	17.91	13.19	0.091	910247011
25	3/4	0.88 -8.8 GPM (200 -2000 LPH)	0.984	17.91	13.19	0.091	910247012
32	1		1.26	17.91	13.19	0.114	910247013
25	3/4	1.1-11 GPM (250 -2500 LPH)	0.984	17.91	13.19	0.091	910247014
32	1		1.26	17.91	13.19	0.114	910247015
32	1	1.32 -13.2 GPM (300 -3000 LPH)	1.26	18.11	13.19	0.114	910247016
40	1-1/4		1.575	18.11	13.19	0.146	910247017
40	1-1/4	2.64 -26.4 GPM (600 -6000 LPH)	1.575	18.62	13.19	0.146	910247018
50	1-1/2		1.969	18.62	13.19	0.181	910247019
63	2	4.4 -44 GPM (1000 -10000 LPH)	2.48	18.62	13.19	0.228	910247020
50	1-1/2		1.969	18.62	13.19	0.181	910247021
63	2	6.6 -66 GPM (1500 -15000 LPH)	2.48	18.62	13.19	0.228	910247022
75	2-1/2		2.953	18.62	13.19	0.268	910247023
63	2	8.8 -88 GPM (2000 -20000 LPH)	2.48	18.62	13.19	0.228	910247024
75	2-1/2		2.953	23.11	13.19	0.268	910247025
90	3	13.2 -132 GPM (3000 -30000 LPH)	3.543	23.11	13.19	0.323	910247026
63	2		2.48	23.11	13.19	0.228	910247027
75	2-1/2	8.8 -88 GPM (2000 -20000 LPH)	2.953	23.11	13.19	0.268	910247028
90	3		3.543	23.11	13.19	0.323	910247029
110	4	13.2 -132 GPM (3000 -30000 LPH)	4.331	23.11	13.19	0.394	910247030
75	2-1/2		2.953	23.11	13.19	0.268	910247031
90	3	13.2 -132 GPM (3000 -30000 LPH)	3.543	23.11	13.19	0.323	910247032
110	4		4.331	23.11	13.19	0.394	910247033

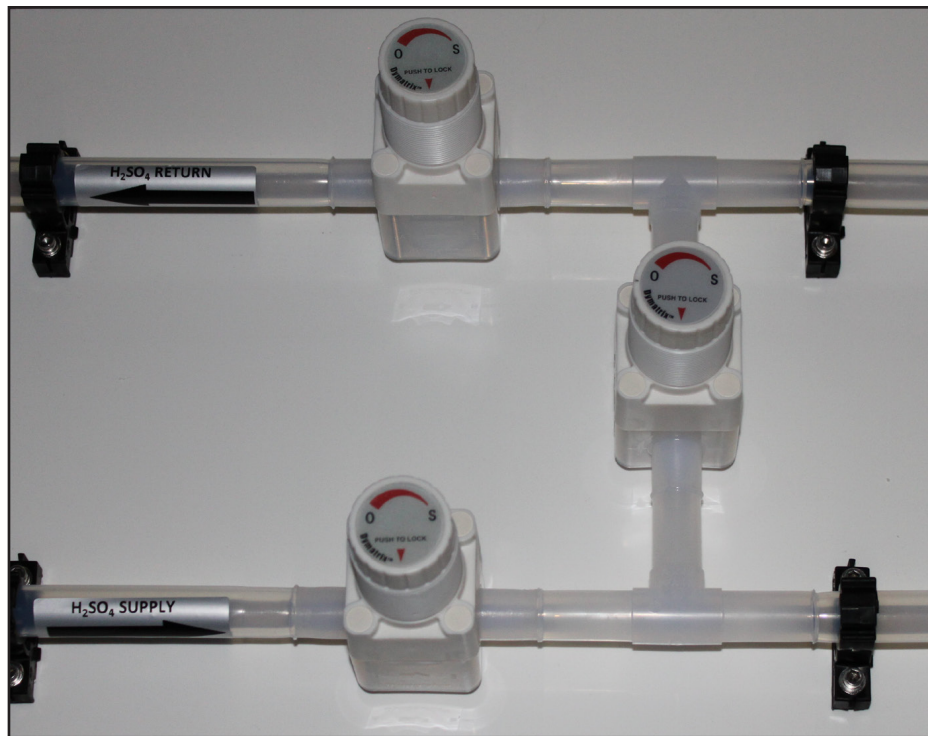
*Page intentionally left blank.*

pp-pure®

# PURFLON®

PFA Piping

## Ultra High Purity PFA Piping System



Purflon®

# Purflon®

Perfluoroalkoxy (PFA)

High Purity Piping System

REV:HP0114PU

**Materials:** High purity perfluoroalkoxy (PFA) resin with low fluoride leachout. UL V-0 flammability rating.

**Pipe:** ASTM D3307 - 02

**Fittings:** ASTM D3307 - 01

**Valves:** ASTM D3307 - 04

**Pipe Production:** Dimensions and tolerances shall exceed ISO 15494 requirement.

**Fitting Production:** Dimensions and tolerances shall exceed ISO 15494 requirement.

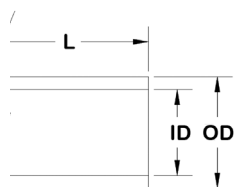
**Pressure Rating:** Pipe shall be pressure rated in accordance with ASTM D2837 and DIN 8077 for hydrostatic design basis. Pipe shall be manufactured to standard dimensional ratio (SDR) 21.

Based on continuous service life of 50 years at 68° F (20° C).

SDR21 150psi (PN10)

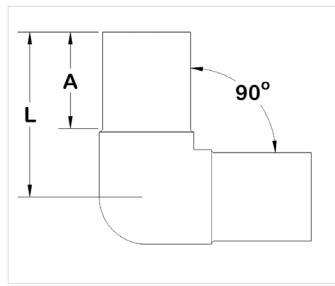
PN = Nominal pressure in bar.

**Joining:** Available methods shall be according to the schedule below  
DVS 2207-6 Non Contact IR: 1/2" (20mm) through 1" (32mm)  
Beadless Fusion: 1/2" (20mm) through 1" (32mm)



**PIPE**

Size		Dimensions			SDR 21 / PN 10 / 150 PSI
mm	inches	OD	ID	Length	Part Number
20	1/2	0.787	0.638	10'	884301005
25	3/4	0.984	0.83	10'	884301007
32	1	1.26	1.071	10'	884301010

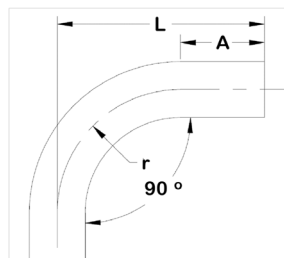


**90 DEGREE ELBOW**

Size		Dimensions		SDR 21 / PN 10 / 150 PSI
mm	inches	A	L	Part Number
20	1/2	1.5	2.22	884302005
25	3/4	1.5	2.31	884302007
32	1	1.48	2.46	884302010

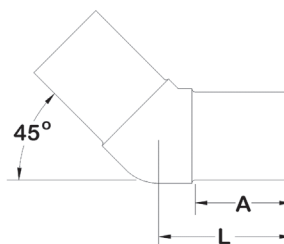
Purflon®





### 90 DEGREE SWEEP ELBOW

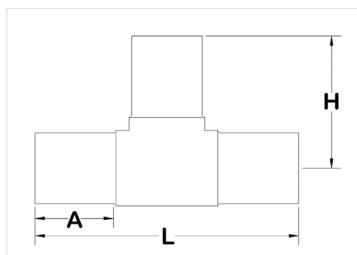
Size		Dimensions			SDR 21 / PN 10 / 150 PSI
mm	inches	r	A	L	Part Number
20	1/2	2.5	1.5	4	884302105
25	3/4	2.5	1.5	4	884302107
32	1	3	1.5	4.5	884302110



### 45 DEGREE ELBOW

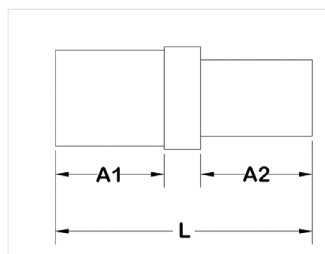
Size		Dimensions		SDR 21 / PN 10 / 150 PSI
mm	inches	A	L	Part Number
20	1/2	1.5	2	884314005
25	3/4	1.5	2	884314007
32	1	1.5	2	884314010





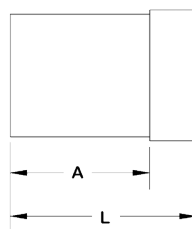
**TEE**

Size		Dimensions			SDR 21 / PN 10 / 150 PSI
mm	inches	A	L	H	Part Number
20	1/2	1.5	4.43	2.22	884318005
25	3/4	1.5	4.6	2.31	884318007
32	1	1.48	4.88	2.46	884318010



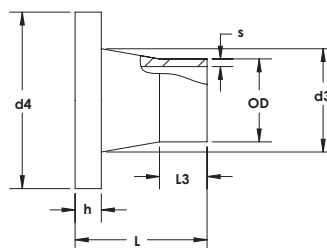
**CONCENTRIC REDUCER**

Size		Dimensions			SDR 21 / PN 10 / 150 PSI
mm	inches	A1	A2	L	Part Number
25 x 20	3/4 x 1/2	1.5	1.5	3.5	884324101
32 x 25	1 x 3/4	1.5	1.5	3.5	884324131



### END CAP

Size		Dimensions		SDR 21 / PN 10 / 150 PSI
mm	inches	A	L	Part Number
20	1/2	1.5	2	884343005
25	3/4	1.5	2	884343007
32	1	1.49	2.01	884343010

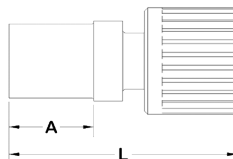


### STUB END\* (FLANGE ADAPTER)

Size		Dimensions						SDR 21 / PN 16 / 230 PSI	
mm	inch	h	s	L	L3	d3	d4	Weight (lbs)	Part Number
20	1/2	0.236	0.075	1.970	1.221	1.064	1.752	0.07	884340005
25	3/4	0.256	0.075	1.969	1.181	1.299	2.130	0.11	884340007
32	1	0.276	0.094	1.969	1.024	1.575	2.500	0.15	884340010

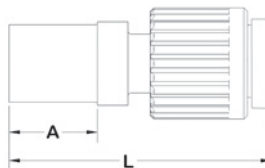
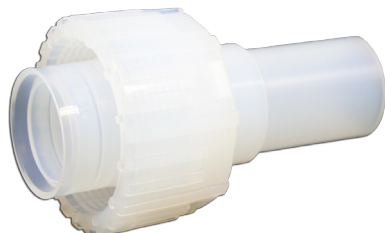
\*Requires backing ring. See page 118.





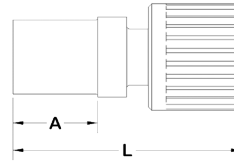
**Weld x S300 ADAPTER**

Size	Dimensions		SDR 21 / PN 10 / 150 PSI
mm x inch	A	L	Part Number
20mm x 1/2"	1.5	3	884306005
20mm x 3/4"	1.5	3.4	884306101
25mm x 3/4"	1.5	3.4	884306007
25mm x 1"	1.5	3.9	884306131
32mm x 1"	1.5	3.9	884306010



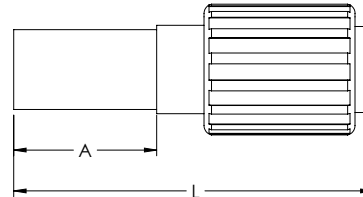
**WELD x S300 SPACE SAVER ADAPTER**

Size	Dimensions		SDR 21 / PN 10 / 150 PSI
mm x inch	A	L	Part Number
20mm x 1/2"	1.5	3	884305005
20mm x 3/4"	1.5	3.4	884305101
25mm x 3/4"	1.5	3.4	884305007
25mm x 1"	1.5	3.9	884305131
32mm x 1"	1.5	3.9	884305010



**WELD x FLARE ADAPTER**

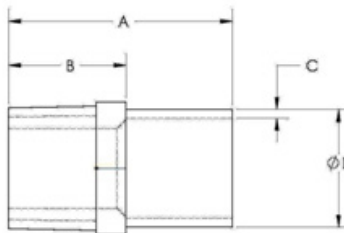
Size	Dimensions			SDR 21 / PN 10 / 150 PSI
	Flare	A	L	Part Number
20mm x 1/2"	1/2"	1.5	3.4	884319005
20mm x 3/4"	3/4"	1.5	3.6	884319007
32mm x 1"	1"	1.5	3.9	884319010



**WELD x FLARE SPACE SAVER ADAPTER**

Size	Dimensions			SDR 21 / PN 10 / 150 PSI
	Flare	A	L	Part Number
20mm x 1/2"	1/2"	1.5	3.4	884309005
20mm x 3/4"	3/4"	1.5	3.6	884309101
25mm x 3/4"	3/4"	1.5	3.6	884309007
25mm x 1"	1	1.5	4.0	884309131
32mm x 1"	1	1.5	4.0	884309010

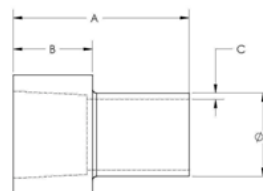




**MALE ADAPTER**

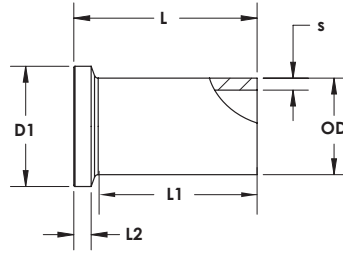
Size	Dimensions			SDR 21 / PN 10 / 150 PSI
mm x inch	A	B	C	Part Number
20 x 1/2	2.35	1.22	0.07	884347005
20 x 3/4	2.35	1.29	0.07	884347101
25 x 3/4	2.42	1.29	0.09	884347007
25 x 1	2.94	1.60	0.12	884347131
32 x 1	3.14	1.74	0.12	884347010

Purflon®



**FEMALE ADAPTER**

Size	Dimensions			SDR 21 / PN 10 / 150 PSI
mm x inch	A	B	C	Part Number
20 x 1/2	2.00	.88	0.07	884349005
20 x 3/4	2.00	1.00	0.07	884349101
25 x 3/4	2.62	1.15	0.09	884349007
25 x 1	2.69	1.30	0.12	884349131
32 x 1	2.75	1.36	0.12	884349010

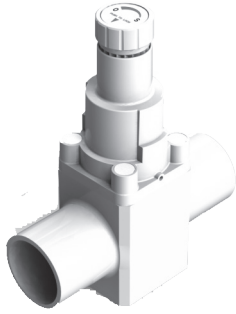


## SANITARY ADAPTER

Size	Dimensions					SDR 21 / MOP 120 PSI
mm x inch	s	L	L1	L2	D1	Part Number
20 x 3/4	0.098	1.500	1.30	0.142	0.984	884348101
25 x 1	0.106	1.500	1.16	0.110	1.984	884348131
32 x 1-1/2	0.114	1.500	0.75	0.110	1.984	884349168

Please see page 122 for gaskets and clamps.  
Maximum operating pressure is 120psi.





**MANUAL DIAPHRAGM VALVE\***

OD		SDR 21 / PN 10 / 150 PSI
mm	inches	Part Number
20	1/2	884385405
25	3/4	884385407
32	1	884385410

\* Please consult factory prior to placing order for diaphragm valves.

Purflon®

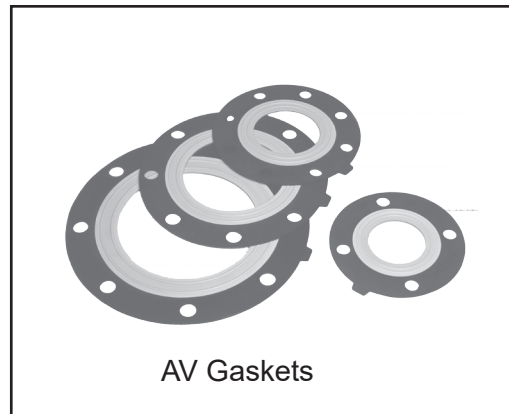
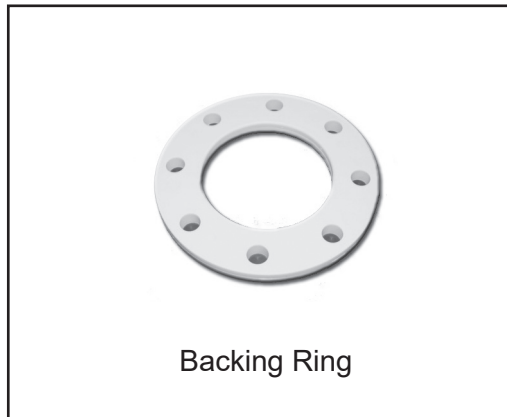
**NC DIAPHRAGM VALVE\***

OD		SDR 21 / PN 10 / 150 PSI
mm	inches	Part Number
20	1/2	884386405
25	3/4	884386407
32	1	884386410

\* Please consult factory prior to placing order for diaphragm valves.



# Piping System Accessories



**BACKING RING\***

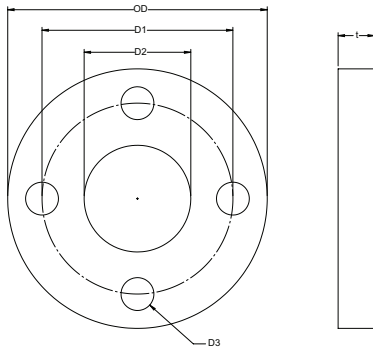


**Backing Ring**

Size		Description	PP - Grey	PP - Black*
mm	inch		Part Number	Part Number
20	1/2	ANSI 150#	5046005	5146005
25	3/4	ANSI 150#	5046007	5146007
32	1	ANSI 150#	5046010	5146010
40	1-1/4	ANSI 150#	5046012	5146012
50	1-1/2	ANSI 150#	5046015	5146015
63	2	ANSI 150#	5046020	5146020
75	2-1/2	ANSI 150#	5046025	5146025
90	3	ANSI 150#	5046030	5146030
110	4	ANSI 150#	5046040	5146040
160	6	ANSI 150#	5046060	5146060
200/225	8	ANSI 150#	5046080	5146080
250/280	10	ANSI 150#	5046100	5146100
315	12	ANSI 150#	5046120	5146120

\*DIN bolt pattern PN 10/16 available.  
 \*PP black UV resistant.

Accessories



Size		Dimensions						
mm	inch	OD	D1	D2	D3	t	Weight	# of Bolt Holes
20	1/2	3.740	2.380	1.102	0.630	0.472	0.463	4
25	3/4	4.016	2.750	1.339	0.630	0.472	0.529	4
32	1	4.488	3.120	1.654	0.630	0.630	0.807	4
40	1-1/4	5.118	3.500	2.008	0.630	0.630	1.235	4
50	1-1/2	5.236	3.880	2.441	0.630	0.709	1.193	4
63	2	6.378	4.750	3.071	0.787	0.709	1.788	4
75	2-1/2	7.244	5.500	3.622	0.787	0.709	2.352	4
90	3	7.638	6.000	4.370	0.787	0.709	2.271	4
110	4	9.016	7.500	5.236	0.787	0.709	3.342	8
160	6	11.142	9.500	7.008	0.866	0.945	5.115	8
200/225	8	13.583	11.750	9.291	0.866	0.945	7.474	8
250/280	10	16.220	14.250	11.339	0.984	1.024	13.669	12
315	12	19.173	17.000	13.307	0.984	1.260	28.748	12

225mm (9") and 200mm (8") stub ends use 8" ANSI backing rings.  
 Consult factory for backing rings larger than 315mm (12").

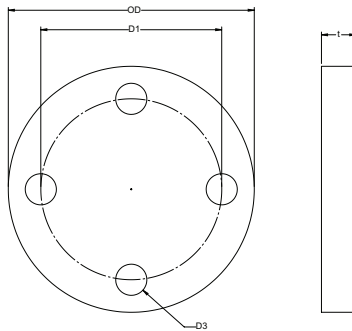
### PP BLIND FLANGE



**PP  
Blind Flange**

Size		Description	230 PSI Part Number
mm	inch		
20	1/2	Steel Insert, ANSI 150#	5042005
25	3/4	Steel Insert, ANSI 150#	5042007
32	1	Steel Insert, ANSI 150#	5042010
40	1-1/4	Steel Insert, ANSI 150#	5042012
50	1-1/2	Steel Insert, ANSI 150#	5042015
63	2	Steel Insert, ANSI 150#	5042020
75	2-1/2	Steel Insert, ANSI 150#	5042025
90	3	Steel Insert, ANSI 150#	5042030
110	4	Steel Insert, ANSI 150#	5042040
160	6	Steel Insert, ANSI 150#	5042060
200	8	Steel Insert, ANSI 150#	5042080
250	10	Steel Insert, ANSI 150#	5042100
315	12	Steel Insert, ANSI 150#	5042120

**Accessories**



Size		OD	D1	D3	t	Weight (lbs)	# of Bolt Holes
mm	inch						
20	1/2	3.740	2.380	0.630	0.472	0.569	4
25	3/4	4.016	2.750	0.630	0.472	0.750	4
32	1	4.488	3.120	0.630	0.630	1.118	4
40	1-1/4	5.118	3.500	0.630	0.630	1.614	4
50	1-1/2	5.236	3.880	0.630	0.709	1.775	4
63	2	6.378	4.750	0.787	0.709	2.690	4
75	2-1/2	7.244	5.500	0.787	0.709	3.400	4
90	3	7.638	6.000	0.787	0.709	4.057	4
110	4	9.016	7.500	0.787	0.709	6.504	8
160	6	11.142	9.500	0.866	0.945	11.244	8
200	8	13.583	11.750	0.866	0.945	17.461	8
250	10	16.220	14.250	0.984	1.024	33.400	12
315	12	19.173	17.000	0.984	1.260	63.493	12

### PVDF BLIND FLANGE LINER

Size		Description	Not Pressure Rated Part Number
mm	inch		
20	1/2	ANSI 150#	5427005
25	3/4	ANSI 150#	5427007
32	1	ANSI 150#	5427010
40	1-1/4	ANSI 150#	5427012
50	1-1/2	ANSI 150#	5427015
63	2	ANSI 150#	5427020
75	2-1/2	ANSI 150#	5427025
90	3	ANSI 150#	5427030
110	4	ANSI 150#	5427040
160	6	ANSI 150#	5427060
200	8	ANSI 150#	5427080

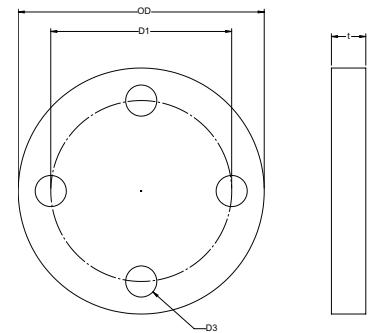


**PVDF  
Blind Flange Liner**

Machined item non-returnable / non-cancelable.  
Not for pressure applications unless utilized with pressure rated blind flange see above.

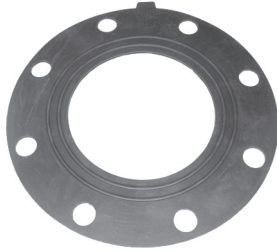
Accessories

Size		OD	D1	D3	t	Weight (lbs)	# of Bolt Holes
mm	inch						
20	1/2	3.740	2.380	0.630	0.669	0.258	4
25	3/4	4.016	2.750	0.630	0.669	0.340	4
32	1	4.488	3.120	0.630	0.669	0.507	4
40	1-1/4	5.118	3.500	0.630	0.669	0.732	4
50	1-1/2	5.236	3.880	0.630	0.669	0.805	4
63	2	6.378	4.750	0.787	0.669	1.220	4
75	2-1/2	7.244	5.500	0.787	0.669	1.542	4
90	3	7.638	6.000	0.787	0.669	1.840	4
110	4	9.016	7.500	0.787	0.669	2.950	8
160	6	11.142	9.500	0.866	0.669	5.100	8
200	8	13.583	11.750	0.866	0.669	7.920	8
250	10	16.220	14.250	0.984	0.669	15.150	12
315	12	19.173	17.000	0.984	0.669	28.800	12



### AV Gaskets

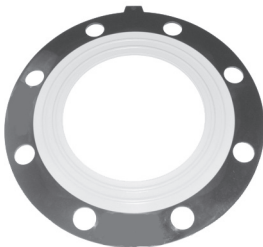
Please consult current Valve List Price book to ensure the list prices on all AV gaskets are current. Current Valve Price book supersedes this pricing.



**EPDM**  
Durometer 65-70



**PVDF**  
Durometer 83-85



**PTFE**  
Durometer 95-100

### CT GASKETS -PTFE\*



**PTFE**

\* Non stock-special order

### AV Gaskets - EPDM

Size	Description	Part Number
1/2"	EPDM	3113005
3/4"	EPDM	3113007
1"	EPDM	3113010
1-1/4"	EPDM	3113012
1-1/2"	EPDM	3113015
2"	EPDM	3113020
2-1/2"	EPDM	3113025
3"	EPDM	3113030
4"	EPDM	3113040
6"	EPDM	3113060
8"	EPDM	3113080
10"	EPDM	3113100
12"	EPDM	3113120

### AV Gaskets - PVDF

Size	Description	Part Number
1/2"	PVDF	3115005
3/4"	PVDF	3115007
1"	PVDF	3115010
1-1/2"	PVDF	3115015
2"	PVDF	3115020
3"	PVDF	3115030
4"	PVDF	3115040
6"	PVDF	3115060
8"	PVDF	3115080
10"	PVDF	3115100

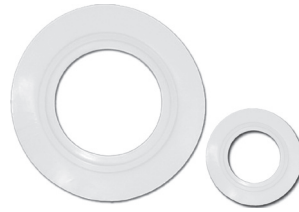
### AV Gaskets - PTFE

Size	Description	Part Number
1/2"	PTFE	3114005
3/4"	PTFE	3114007
1"	PTFE	3114010
1-1/4"	PTFE	3114012
1-1/2"	PTFE	3114015
2"	PTFE	3114020
2-1/2"	PTFE	3114025
3"	PTFE	3114030
4"	PTFE	3114040
6"	PTFE	3114060
8"	PTFE	3114080
10"	PTFE	3114100
12"	PTFE	3114120

General grade, available cleaned and bagged.

Size		Description	Part Number
mm	inch		
355	14	ANSI 150#	3116140
400	16	ANSI 150#	3116160
450	18	ANSI 150#	3116180
500	20	ANSI 150#	3116200
630	24	ANSI 150#	3116240

Accessories



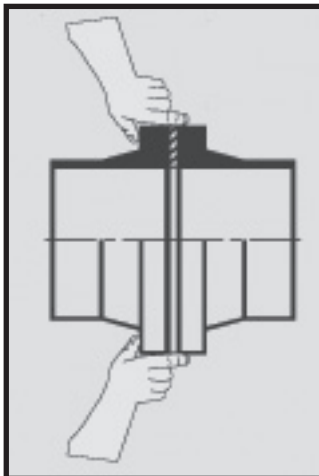
Seal Clean Gaskets

**SEAL CLEAN ePTFE GASKET**

Size		Description	SDR 11	SDR 21	SDR 33
mm	inch		Part Number	Part Number	Part Number
20	1/2	ZDL, Low Torque	3175005	3171005	3173005
25	3/4	ZDL, Low Torque	3175007	3171007	3173007
32	1	ZDL, Low Torque	3175010	3171010	3173010
40	1-1/4	ZDL, Low Torque	3175012	3171012	3173012
50	1-1/2	ZDL, Low Torque	3175015	3171015	3173015
63	2	ZDL, Low Torque	3175020	3171020	3173020
75	2-1/2	ZDL, Low Torque	3175025	3171025	3173025
90	3	ZDL, Low Torque	3175030	3171030	3173030
110	4	ZDL, Low Torque	3175040	3171040	3173040
160	6	ZDL, Low Torque	3175060	3171060	3173060
200	8	ZDL, Low Torque	3175080	3171080	3173080
225	9	ZDL, Low Torque	3175090	3171090	3173090
250	10	ZDL, Low Torque	3175100	3171100	3173100
315	12	ZDL, Low Torque	3175120	3171120	3173120

Seal Clean gaskets match pipe system ID, be sure to choose correct SDR.  
Not a full face gasket, OD matches Stub End shoulder OD.

Accessories



**Asahi/America Tip**

-Inside diameter of the gasket matches with the ID of the stub end, creating no dead space.

-Outside diameter of the gasket lines up with the OD of the stub end for easy installation.



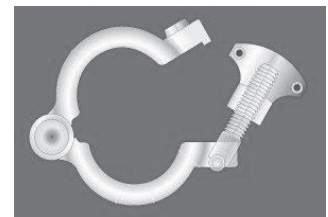
**SANITARY GASKETS**

Description	EPDM	FKM	PTFE
	Part Number	Part Number	Part Number
3/4" TC Gasket	540920207	540920307	540920407
1" TC Gasket	540920210	540920310	540920410
1-1/2" TC Gasket	540920215	540920315	540920415
2" TC Gasket	540920220	540920320	540920420
2-1/2" TC Gasket	540920225	540920325	540920425
3" TC Gasket	540920230	540920330	540920430
4" TC Gasket	540920240	540920340	540920440

**SANITARY CLAMP CAPS**

Description	PP-N	PVDF
	Part Number	Part Number
3/4" END CAP	540920507	540920607
1-1/2" END CAP	540920515	540920615
2" END CAP	540920520	540920620
2-1/2" END CAP	540920525	540920625
3" END CAP	540920530	540920630
4" END CAP	540920540	540920640

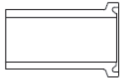

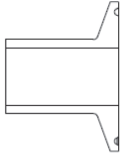
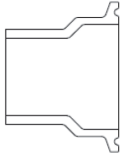
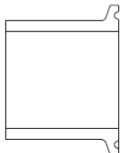

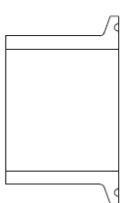

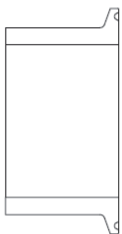

Description	Stainless Steel	PP-G
	Part Number	Part Number
3/4" SANITARY CLAMPS	540920007	540920107
1-1/2" SANITARY CLAMPS	540920015	540920115
2" SANITARY CLAMPS	540920020	540920120
2-1/2" SANITARY CLAMPS	540920025	540920125
3" SANITARY CLAMPS	540920030	540920130
4" TSANITARY CLAMPS	540920040	540920140

**Sanitary  
Clamps**

**TRICLAMP SIZE COMPARISON**

Triclamps or sanitary adapters are used primarily on stainless steel systems to ease sanitation processes. The quickly disconnected fitting offers a hygienic connection between different pieces of equipment. Gaskets are designed to match the ID of the pipe and provide a smooth transition between each side.

Since passivation of thermoplastic piping systems is not required, sanitary adapters are not widely used. It does not make a great transition from SS to plastic systems and can be used to connect to existing equipment

Pipe OD	Cap	Clamp	Gasket
20mm			3/4" Mini 3/4"
25mm			1-1/2" 1"
32mm			1-1/2" 1-1/2"
40mm			1-1/2" 1-1/2"
50mm			2" 2"
63mm			2-1/2" 2-1/2"

**Asahi Product Offering**

All of Asahi's piping materials offer sanitary triclamp connections as well as several different standard gaskets and clamp materials. **For custom options, please consult Engineering.**

- Fitting:** PVDF, PPn, PP, ECTFE
- Gasket:** EPDM, FKM and PTFE
- Clamp:** Stainless, nylon
- Size:** 20-63mm pressure rated up to 6" x 160mm non-rated





Replacement Diaphragm

**REPLACEMENT DIAPHRAGM - T-342/343 HIGH PURITY DIAPHRAGM VALVES**

Size		DN	Spigot Size (mm)	EPDM	PTFE/EPDM	TFM/EPDM*
mm	inch			Part Number	Part Number	Part Number
20	1/2	15	Use 25mm 3/4" DN20			
25	3/4	20	20, 25, 20/20 - 25/25	3174007	3172007	3172107
32	1	25	32, 32/20 - 110/32	3174010	3172010	-
40	1-1/4	32	Use 50mm 1-1/2" DN40			
50	1-1/2	40	40, 50	3174015	3172015	3172115
63	2	50	63, 63/40 - 63/63, 75/40 - 110/63	3174020	3172020	3172120
90	3	80	75, 90	3174030	3172030	-
110	4	100	110, 140	3174040	3172040	-

Accessories

\* TFM/EPDM diaphragm is recommended instead of PTFE for use on actuated diaphragm valves (DN40, DN50). PTFE/EPDM and TFM/EPDM diaphragms cannot be reused. EPDM diaphragms may be reused if in good condition. DN refers to the metric nominal dimension, size can be found on diaphragm tab.

How to Read Spigot Size Combos				
Run	Branch	All Sizes Up to	Run	Branch
63	/ 40	-	63	/ 63

Sizes included: 63mm x 40mm, 63mm x 50mm, 63mm x 63mm.

**REPLACEMENT MANUAL BONNET - T-342/343**

Size		DN	Spigot Size (mm)	Part Number
mm	inch			
20	1/2	15	Use 25mm 3/4" DN20	
25	3/4	20	20, 25, 20/20 - 25/25	6365007
32	1	25	32, 32/20 - 110/32	6365010
40	1-1/4	32	Use 50mm 1-1/2" DN40	
50	1-1/2	40	40, 50	6365015
63	2	50	63, 63/40 - 63/63, 75/40 - 110/63	6365020
90	3	80	75, 90	6365030
110	4	100	110, 140	6365040



Manual Actuator

DN refers to the metric nominal dimension, size can be found on diaphragm tab.

**All valve accessories listed here are only for T-342/T343 high purity diaphragm valves**



**REPLACEMENT ACTUATOR - T-342/343 HIGH PURITY DIAPHRAGM VALVES**

Size	Spigot Size (mm)	Normally Closed Part Number	Normally Open Part Number	Air to Air Part Number
DN15, DN20	20, 25, 20/20 - 25/25	6363007	6364007	6362007
DN32	32, 32/20 - 110/32	6363010	6364010	6362010
Special DN50	<i>Special N/O 75/40, 90/40, 110/40</i>	-	6364012*	-
DN 32, DN40	40, 50	6363015	6364015	6362015
DN50	63, 63/40 - 63/63, 75/40 - 110/63	6363020	6364020	6362020

\*Only for use with 75/40, 90/40, 110/40 air to close actuator.

Accessories

**ACTUATION ACCESSORIES - T-342/343 HIGH PURITY DIAPHRAGM VALVES**

Size	Min/Max Stroke Limitor	Part Number
20, 25, 32, X/20 - X/32	Adjustable mechanical limit mounts on top of actuator	6387010
40, 50, 63, X/40 - X/63		6387020

Size	Max Stroke Limitor	Part Number
20, 25, 32, X/20 - X/32	Mounts on top of actuator	6387098
40, 50, 63, X/40 - X/63		6387099

Size	Type 8697 Electric Position Feedback	Part Number
20, 25, 32, X/20 - X/32	Mechanical limit switches, inductive mounts on top of actuator, 10-30 V DC	6388010
40, 50, 63, X/40 - X/63		6388020

Size	Type 1071 Magnetic Position Indicator Feedback	Part Number
20, 25, 32, X/20 - X/32	Magnetic inductive position feedback mounts on side of actuator, 10-30 V DC	6389010
40, 50, 63, X/40 - X/63		6389020

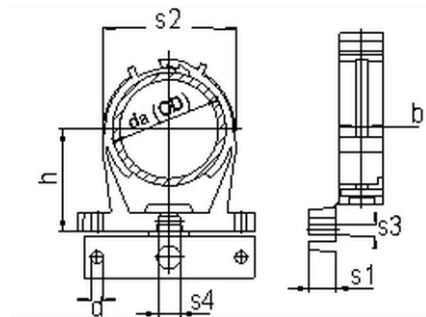
Size	Manual Override Handwheel	Part Number
20, 25, 32, X/20 - X/32	Mounts on top of actuator	6387088
40, 50, 63, X/40 - X/63		6387089

All valve accessories listed here are only for T-342/343 high purity diaphragm valves.

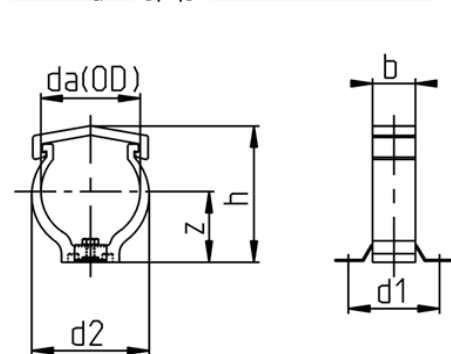


**PIPE CLIPS**

Size		Description	Part Number
mm	inch		
20	1/2	Snap Clips	5349005
25	3/4	Snap Clips	5349007
32	1	Snap Clips	5349010
40	1-1/4	Snap Clips	5349012
50	1-1/2	Snap Clips	5349015
63	2	2 Piece Clip	5246020
75	2-1/2	2 Piece Clip	5246025
90	3	2 Piece Clip	5246030
110	4	2 Piece Clip	5246040
160	6	2 Piece Clip	5246060
200	8	2 Piece Clip	5246080
225	9	2 Piece Clip	5246090



Size		h	s1	s2	s3/d	s4	b
mm	inch						
20	1/2	1.06	0.24	1.14	0.26	0.35	0.55
25	3/4	1.18	0.40	1.34	0.26	0.35	0.63
32	1	1.24	0.45	1.54	0.26	0.35	0.63
40	1-1/4	1.46	0.55	1.97	0.26	0.35	0.69
50	1-1/2	1.61	0.59	2.20	0.26	0.35	0.79



Size		z	d1	d2	h	b
mm	inch					
63	2	2.04	2.91	3.07	3.74	1.16
75	2-1/2	2.40	3.23	3.70	4.41	1.57
90	3	2.63	3.22	4.25	5.03	1.57
110	4	3.14	3.22	5.39	5.98	1.57
160	6	4.56	4.33	7.24	8.54	2.36
200	8	5.82	4.33	9.37	10.50	2.36
225	9	6.22	4.33	10.28	11.46	2.36

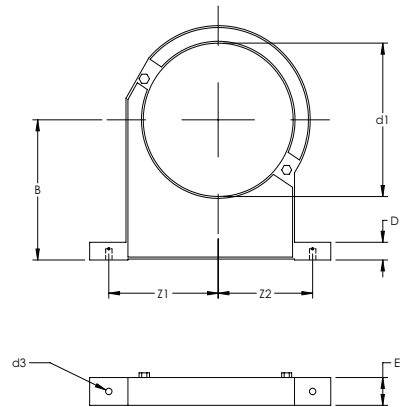


**PIPE CLIPS**

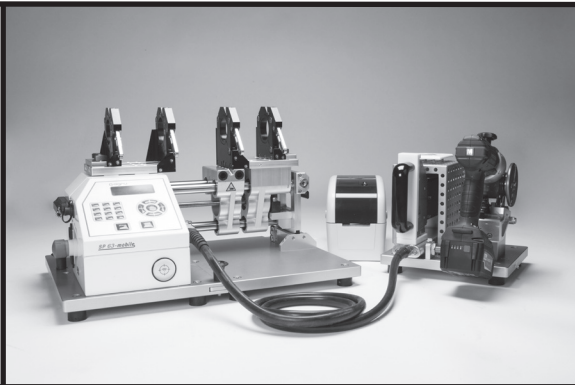
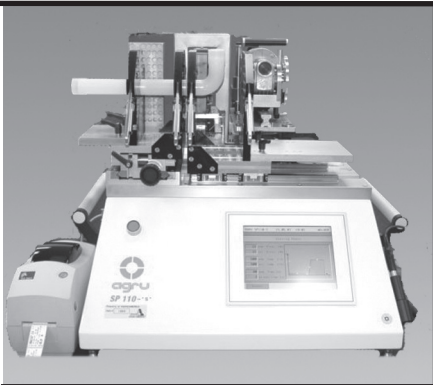
Size		Description	Part Number
mm	inch		
250	10	Snap Clips	5350100
280	11	Snap Clips	5350110
315	12	Snap Clips	5350120
355	14	Snap Clips	5350140
400	16	Snap Clips	5350160

10-16" pipe clips are special order.

Size		B	D	E	d3	Z1	Z2
mm	inch						
250	10	7.88	0.98	1.57	0.51	7.19	5.61
280	11	7.88	0.98	1.57	0.51	7.78	6.12
315	12	8.86	0.98	1.57	0.51	8.6	6.75
355	14	10.12	1.18	1.97	0.67	10.87	8.27
400	16	11.34	1.18	1.97	0.67	11.85	9.06



# Welding Equipment



**Another  
Corrosion  
Problem  
Solved.™**



[www.asahi-america.com](http://www.asahi-america.com)

**Welding Equipment Purchase List Prices**

Machine Type	Part Number
<b>Industrial Welding Equipment</b>	
Miniplast® Shop 4	5730000
Miniplast® Electric Planer	5706000
Maxiplast® Shop 6	5622000
Shop 12	5722000
Shop 12 Hydraulic	5790000
<b>High Purity Welding Equipment</b>	
SP 63-S Mobile	5861063
SP 110-S V3	5863001
PFA Expansion Clamps (V3)	5863002
SP 250-S	5869001
SP Transformer (110-S,110-B,63-S,EF)	5863021
Power Transformer for SP 250-S and SP 315-S	5869003
SP 315-S	5869315
SP 110-B* Beadless (includes 20-63mm heads)	5786100
<b>Electrofusion Welding Equipment</b>	
EF 110-B	5786200
<b>Socket Welding Equipment</b>	
Hand Socket 2"	5687001
Hand Socket 2" w/ temperature control	5687002
Bench Socket 2"	5711200
Bench Socket 4"	5711000



**SP 110-S V3**

\* 75mm, 90mm and 110mm heater heads must be purchased separately, see page 132.

*Please refer to Asahi's Welding Equipment Catalog for all power requirements.*

## Welding Equipment Rental Rates

Machine Type	Type	Part #
Miniplast®	Butt	9730000
Miniplast® Electric Planer	Butt	9706000
Maxiplast® 6	Butt	9622000
Shop 12	Butt	9722000
Shop 12 Hydraulic	Butt	9790000
SP 63-S Mobile	IR	9861063
SP 110-S V1/V2	IR	9861001
SP 110-S V3	IR	9863001
PFA Clamps	IR	9872110
PFA clamps (V2)	IR	9863002
SP 250-S	IR	9869001
SP 315-S	IR	9869315
EF 110-B	Beadless	9786200
SP 110-B** Beadless	Beadless	9786100
Hand Socket 2"	Socket	9687001
Bench Socket 4"	Socket	9711000

\*\* All heater heads must be rented separately, see page 132.



SP Label Printer

### SP SERIES TOOL ACCESSORIES

Description	Part Number
1500 Label Roll (SP Series)	5866000
Printer Ribbon (SP Series)	5867000
USB Printer	5866001
Operator Card (RFID + Bar Code)	5786104
Planer Blades (110-S/B) - 2 piece set	5874110
Planer Blades (SP 250-S) - 2 piece set	5874250
Planer Blades (SP 315-S)	5874315
Planer Blades (SP 63/EF 110 B) - 4 piece set	5874063
Power Transformer (SP 63, 110, 110B, EF110B)	5863001
Power Transformer (SP 250-S)	5869003

### SP 110-B BALLOONS



Size		PP Balloons	PVDF Balloons
mm	inch	Part Number	Part Number
20	1/2	5788405	5788305
25	3/4	5788407	5788307
32	1	5788410	5788310
40	1-1/4	5788412	5788312
50	1-1/2	5788415	5788315
63	2	5788420	5788320
75	2 -1/2	5788425	5788325
90	3	5788430	5788330
110	4	5788440	5788340

### SP 110-B HEATER HEAD

Size		Rental	Purchase
mm	inches	Part Number	Part Number
20	1/2	9786120	5786120
25	3/4	9786125	5786125
32	1	9786132	5786132
40	1-1/4	9786140	5786140
50	1-1/2	9786150	5786150
63	2	9786163	5786163
75	2 -1/2	9786175	5786175
90	3	9786190	5786190
110	4	9786110	5786111

Heads are rented on a weekly or monthly basis for duration they are out.



### SOCKET TYPE B HEATER BUSHINGS

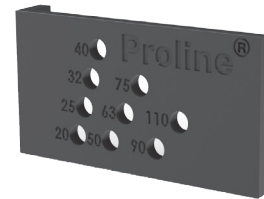
Size		TYPE B Heater Bushings
mm	inch	Part Number
20	1/2	5797005
25	3/4	5797007
32	1	5797010
40	1-1/4	5797012
50	1-1/2	5797015
63	2	5797020
75	2-1/2	5797025
90	3	5797030
110	4	5797040



Heater Bushings

### SOCKET DEPTH GAUGES

TYPE B
Part Number
5687999



Depth Gauge

### TOOL PLANER BLADES

Tool	PC/Set	Part Number
Minplast® 4	2 pc/set	5720002
Maxiplast® 6	4 pc/set	5622005
Shop 12 (W2500)	4 pc/set	5609120
Shop 12 Hydraulic	4 pc/set	5761140
Field 6 (W4400)	2 pc/set	5761060
Field 10	2 pc/set	5761110
Field 12 (W4900)	2 pc/set	5761120
Field 14	4 pc/set	5761140
Field 20 (W5500)	4 pc/set	5761130
Field 24 (W6100)	4 pc/set	5761150
Bench Socket (W3500) Beveller Blade	1 pc/set	5711001
Polymatic Fusion Scraper Blade	1 pc/set	5831000



Planer Blades





# Peel Remove Edge Plane

Natural oxidation occurs on polyolefin thermoplastics and must be removed in order to achieve the best bonding between pipe and socket fittings. Asahi's PREP tool effortlessly removes oxidation while planing and adds a bevel to the insertion face of the pipe. An added benefit of the one-step process is the marking of the desired insertion depth.

**Features**

- Quickly "PREP" pipe for socket welding
- Easy to use, impossible to misuse
- Marks insertion depth directly on pipe
- Maintenance-free operation
- Completely removes surface oxidation from PE, PP
- Reduces installation time with only one operation
- In accordance with DVS and ASTM Type B socket standards

**PREP TOOL**

Description	Part Number
20-63mm Kit	581156000

Complete Kit includes:

- 20-63mm PREP tool with blades
- Manual handles (2 piece)
- Driver nut
- Storage case

**ACCESSORIES**

Description	Part Number
Handles (2 pc)	581155045
Driver Nut	581155042
Screw (1pc)	581155001



**HAND UNIT AND SPARE BLADES**

Size		Hand Unit	Spare Blades (1 set = 3 pc)
mm	inch	Part Number	Part Number
20	1/2	581156005	581155006
25	3/4	581156007	581155008
32	1	581156010	581155011
40	1-1/4	581156012*	581155013
50	1-1/2	581156015*	581155016
63	2	581156020*	581155021

\*These sizes include 2 piece handle set.

**PURAD® EF COUPLINGS - PVDF**

Size		PVDF	
mm	inch	Part Number	List Price
20	1/2	5479005	33.20
25	3/4	5479007	34.40
32	1	5479010	38.00
40	1-1/4	5479012	41.40
50	1-1/2	5479015	44.20
63	2	5479020	57.00
<b>Discount Code</b>			<b>D</b>



**Purad® PVDF  
Electrofusion  
Coupling**

For Asahi Use Only	Date: _____		Ship to: _____		
	TR# _____		_____		
	PO# _____		_____		
	Start Date: _____		Attention: _____		
	_____		_____		
	Equipment	Serial	Rate	Equipment Value	Power
	_____	_____	_____	_____	110v 230V-1ph 220-3ph
	_____	_____	_____	_____	110v 230V-1ph 220-3ph
	_____	_____	_____	_____	110v 230V-1ph 220-3ph

**Availability:** Proweld® equipment is available for rental to authorized distributors only. Please allow up to 5 days from receipt of order confirmation to prepare and ship rental equipment. Availability is not guaranteed.

**New Orders:** Purchase orders must include start date and expected duration. Each new order requires a signed rental agreement prior to equipment shipment.

**Rental Billing:** Billing starts when the tool is delivered and ends upon proof of return shipment is provided or the equipment arrives at Asahi. Charges are processed monthly and billed according to quoted rental rates.

Daily: Monday through Sunday, including holidays (includes weekends)  
 Weekly: calendar week (7 days includes weekends)  
 Monthly: calendar month (prorated by 30 days)

**Freight:** Insured transportation on all outgoing and incoming rental equipment must be provided by the distributor. Equipment may be combined with other shipments to reduce overall cost. If outgoing shipment is freight allowed, Asahi will only charge for additional insurance if not already covered. Please inspect delivered equipment for damage upon receipt from the freight company. Failure to identify freight damage will transfer liability from the freight company to the distributor.

**Consumables:** All consumable items must be purchased. These items include, but are not limited to printer labels and ribbon, beadless balloons, planer blades.

**Warranty:** Please call Asahi immediately if the equipment is not operating properly. Routine maintenance is recommended every six months of onsite usage. Equipment may be field serviced by Asahi authorized personnel or returned to Asahi. All freight and/or field service charges must be paid for by the distributor.

**Jobsite Transfer:** Equipment transfer between jobs is not recommended. Written approval must be given by Asahi and a new signed rental agreement must be completed. No warranty can be provided for equipment not originating from Asahi's facility.

**Damage:** An initial evaluation upon return will identify any abnormal damage. Equipment requiring excessive cleaning and/or repair will be billed at current shop labor rates. Broken or missing components will be billed at current replacement cost. In the event that damage exceeds the replacement value of the equipment, the customer may decide to purchase the damaged tool at the full replacement value listed above and take ownership of the equipment as-is, without repair by Asahi.

Welding

*Please fill out and return the signed agreement to: fax (978) 686-2391 or [jmartignetti@asahi-america.com](mailto:jmartignetti@asahi-america.com)  
 Asahi's current Proweld® agreement and additional information can be obtained from [www.Asahi-America.com/Rental](http://www.Asahi-America.com/Rental)*

Distributor Must Complete

Project Name: _____	Contractor: _____
Materials: _____	Trainer: _____
Sizes: _____	Training Date: _____

*I hereby understand and accept all terms and conditions,*

Distributor Name: _____	_____
Signature: _____	Date: _____

Fax: (978) 686-2391  
 Tel: (781) 388-4623

[www.asahi-america.com/Rental](http://www.asahi-america.com/Rental)  
[WeldCert@asahi-america.com](mailto:WeldCert@asahi-america.com)

Page 1 of 1  
 Revision 15D

# Freight Policy Return Policy Warranty

## Standard Freight Policy Valves, Pipe, Fittings, & Equipment

Freight will be allowed on the following orders:

1. \$ 3,000.00 Net or greater for valves.\*
2. \$ 7,500.00 Net or greater for single wall pipe and fittings.
3. \$ 5,000.00 Net or greater for actuators only.

\* Combined orders of valves and pipe must meet requirements of pipe orders to qualify for freight allowed.

Freight will be allowed on the following orders for Alaska, Hawaii, and Puerto Rico:

1. \$ 3,500.00 Net or greater for valves.
2. \$ 25,000.00 Net or greater for single wall pipe and fittings.

The following shipments are NOT freight allowed:

1. International orders
2. All HDPE products excluding Air-Pro, Chem Proline.
3. Pipe Coils
4. Rental machines
5. Prefabricated pipe spools
6. EM-Technik products
7. Dymatrix specialty valves
8. Polytetra heat exchangers & heaters
9. All Dual wall pipe and fitting orders
10. Leak detection equipment

#### NOTES:

- All truck shipments are via common carrier and are to be selected by Asahi/America, Inc.
- Selection of alternate carriers is negotiable between interested parties and Asahi/America, Inc.
- Freight charges for expedited portions of freight allowed shipments are the responsibility of others.
- Freight charges on freight allowed backorders will be paid by Asahi/America, Inc.
- Freight for add-ons and releases will not be allowed.
- Returns of rental equipment must be prepaid.
- Freight will not be allowed on oversized loads, and non-standard lengths of pipe, etc.
- International orders must include contact name, telephone or fax number, and international freight account number.

#### Terms and Conditions

**Shipments:** Asahi/America will not be liable for any delay in performance of orders or contracts, or in delivery of shipment of goods, or for any damage suffered by buyer by reason of such delay performance, when such delay is directly or indirectly caused by acts of God, war, labor difficulties, shortage of materials, or supplies beyond its control. Asahi/America reserves the right to discontinue products and make changes in products offered at any time.

**Claims:** All claims must be made in writing and received by Asahi/America within 10 days after receipt of merchandise. If a shipment is received in damaged condition, a claim must be filed with the delivering carrier and noted on the freight bill before you accept the merchandise.

**Returns and Cancellations:** Refer to our policy on next page.

**Terms:** 2% 15 days. Net 30 days. An interest charge of 1-1/2% percent per month (an annual rate of 18%) will be charged in states where legal on the unpaid balance owed together with cost of collection including reasonable attorney's costs.

**Minimum Billing Charge:** Asahi/America will charge a \$75.00 net minimum order requirement on all orders. Any tax or duty imposed by any government will be added to the sales price.

## Return Merchandise Policy

EFFECTIVE 07/01/06

Asahi/America, Inc., (A/A) will authorize the return of product providing guidelines are adhered to as follows.

---

### Canceled Orders

A/A will accept the cancellation of Purchase Orders (PO) with no restocking charges under the following conditions:

- A/A has not started production of manufactured products.
- A/A has not placed a purchase order to our vendors for non-stock product or custom product.
- A/A has not already, picked, packaged and or shipped the product.

Cancellation of orders that do not meet the above conditions may be approved under special consideration and will be subject to a minimum 30% restocking charge, or cancellation charge.

---

### Authorized Returns

A/A will authorize the return of product with a minimum 30% restocking charge under the following conditions.

- Product must have been purchased within the last six months.
- Product must be considered stock item by A/A.
- Product must be in resellable condition and in original packaging..
- Pipe is non-returnable
- Fabricated items and machined items are non-returnable
- Large quantities of line items are subject to approval

---

### Product Evaluations

A/A will authorize the return of product for evaluation upon completion of the RMA form. (See enclosure)

- A/A, upon completion of the evaluation, will repair, replace, or issue a credit for the defective product if it is determined that the cause of failure is the responsibility of A/A. A/A retains the sole right to determine the correct course of action.
- A/A will notify the customer if it is determined that the cause of failure is due to normal wear and tear after the expiration of the warranty, misapplication, or improper use. In the event that the failure is not the responsibility of A/A the customer is to determine the corrective action that will be taken. A/A will not proceed with a repair or replacement until a purchase order is supplied by the customer. The purchase order must cover all expenses incurred by A/A.

---

### Freight

Customer is responsible for all freight costs associated with a return that is not directly attributed to an A/A error or product failure covered under warranty. All returns must be sent prepaid; any collect shipments will be refused and returned to the Customer.

- A/A will be responsible for all standard freight costs for product evaluations where it is determined that the cause of failure is the responsibility of A/A.

## Return Merchandise Policy (continued)

### Procedures

A/A will process all RMAs within four (4) weeks of receipt of the product providing the following procedures were followed. Please note; A/A is not responsible for any product that is shipped to our facilities without a completed RMA form. **A/A will not process returns that are not accompanied by an authorized RMA number, and product may be returned to the Customer at the customer's expense.**

All correspondence must be made directly to our RMA department.

Telephone Numbers: 1-800-343-3618 ext. 4543

1-781-388-4543

Fax Number 1-800-426-7058

E-mail [RMA@Asahi-America.com](mailto:RMA@Asahi-America.com)

RMA form must be filled out with all relevant information and forwarded to A/A's RMA department. The form must include the following minimum information:

- Original PO #, Original Invoice #, Original Order #.
- Supply itemized list of proposed return with A/A part numbers.
- Specify reason for return.

Upon successful completion of the RMA form and preliminary review, A/A will assign an RMA number and forward to the customer. A/A may elect to inspect product on site prior to issuing an RMA number.

Customer must properly package the product. The RMA number must be visible on all packages and indicated on the packing list, and arrange shipment of the product to A/A.

Customer must insure that product is returned in resellable condition in original packaging excluding product that is returned for repair or evaluation.

Customer must insure that all product has been decontaminated and does not present a health or safety problem to anyone that handles it.

A/A will notify customer of any discrepancies with regards to quantity and/or quality of the returned product.

A/A will process credit upon completion of a successful inspection of the returned product.

Product returned for evaluation will follow the above guidelines with the following exception.

A resolution to the evaluation must be agreed upon prior to the repair/replacement/credit of the product. The customer will have a two-week period to act upon A/A's resolution to the evaluation. A/A will return the product to the customer at the customer's expense, if no response is forwarded within this time frame. The customer, prior to the completion of the repair, must place a purchase order if it is determined that the failure is proven not to be the responsibility of A/A.

A/A will provide a full report of product returned for evaluation upon written request.

### Lost/Damaged Shipments

Damaged shipments and shortages must be signed and acknowledged by the carrier's driver. All claims for lost or damaged shipments must be made directly by the customer to the delivering carrier at time of delivery.

A/A's Customer Service Department must be notified in writing within 10 days of receipt of orders that appear to be short shipped by our shipping department. A/A will validate this claim through weight calculations and other means available. Customer's requests for proof of delivery by A/A must be made within 30 days of receipt of invoice. After 30 days, the product will be considered as delivered.



**TERMS AND CONDITIONS**

1. Asahi/America, Inc. ("Asahi") hereby gives notice of its objection to any different or additional terms and conditions except for any such items and conditions as may be expressly accepted by it in writing. The terms and conditions herein are the final expression of the parties' agreement and shall supersede any provisions, terms and conditions contained on any confirmation order or other writing buyer may give or receive and rights of the parties shall be governed exclusively by the terms and conditions hereof.
2. Buyer's confirmation is accepted for merchandise selection purpose only. All orders are subject to acceptance by Asahi at its Lawrence, Massachusetts office and Asahi reserves the right to reject any order in whole or in part without incurring any liability to buyer or any branch or division thereof for such order as may be rejected. Asahi shall have the right at its discretion to limit any credit to be extended hereunder or to require payment before delivery. In the event Asahi should be unable to manufacture or decide not to manufacture any product ordered, Asahi shall notify the buyer, but shall not be liable for any non-delivery of such merchandise. Buyer shall, however, accept delivery and pay for all other merchandise that is included on that order.
3. An order once placed with and accepted by Asahi cannot be cancelled or modified by buyer without Asahi's written consent which, if granted, will be subject to terms that will indemnify Asahi against loss.
4. Asahi does not accept in-store completion dates and cancellation dates will not be accepted on made-to-order product once the order has been put into production.
5. Asahi orders (once accepted) may have backorders when necessary. Backorders are not subject to cancellation by buyer unless 30 days past scheduled delivery date.
6. Delivery shall occur and risk of loss shall pass upon delivery of the merchandise sold hereunder to the carrier. Asahi will use buyer's routing guide or instructions after approval from Asahi's Traffic Department. All customers routings are F.O.B. shipping point. Asahi generates one invoice per shipment and does not include invoices with shipment.
7. The buyer agrees that no shipment from Asahi will be returned from a carrier unless damage or shortages are acknowledged and signed by the carrier's driver. All claims for lost or damaged shipments must be made directly by buyer to the delivering carrier at time of delivery. Shortages due to packing errors must be reported in writing within 10 days of receipt to Asahi's Customer Service Department. Adjustments can be made only if reported to Asahi in writing within that time. Buyer's requests for proof of delivery by Asahi must be made within 30 days of receipt of invoice. After 30 days, the merchandise will be considered as delivered.
8. Written approval from Asahi must be obtained before returning any merchandise of any quantity. Approval will be granted only to return unused, resalable merchandise shipped as a result of Asahi error. Upon approval by Asahi, merchandise must be returned within 30 days. All returns must be sent prepaid with return authorizations numbers visible on the outside carton. Returns not carrying return authorization numbers will be refused delivery by Asahi and returned to sender at senders expense.
9. Buyer agrees that it will not impose upon Asahi any handling, service or any other charges of that nature whatsoever.
10. Asahi will not be liable for any delay in performance of orders or contracts, or in delivery or shipment of goods, or for any damage suffered by buyer by reason of such delay in performance of orders or contracts, or in delivery or shipment of goods, or for any damage suffered by buyer by reason of such delay, when such delay is directly or indirectly caused by or in any manner arises from fire, flood, accident, riot, act of God, war, governmental interference or embargoes, strikes, labor difficulties, shortage of labor, fuel, power, materials, or supplies, transportation delays or any other cause or causes (whether or not similar in nature to any of these hereinbefore specified) beyond its control. Asahi reserves the right to discontinue product lines and make changes in products offered at any time.
11. Asahi products are intended to be sold in buyer's outlet(s) as addressed on this order. All branches must be separately approved. Transshipping of merchandise to approved branches of an approved account may not take place without the written approval of Asahi.
12. Asahi warrants only that the goods described on the face of the purchase order conform to Asahi's customary quality standards for such goods. Otherwise ASAHl MAKES NO WARRANTIES, EXPRESS OR IMPLIED, WHICH EXTEND BEYOND THE DESCRIPTION ON THE FACE OF THE ORDER. Without limiting the generality of the foregoing, ASAHl SPECIFICALLY EXCLUDES AND DISCLAIMS ANY IMPLIED WARRANTY OF MERCHANTABILITY OR FITNESS FOR A PARTICULAR PURPOSE, APPLICATION OR USE AND ANY IMPLIED WARRANTY AGAINST CLAIMS BY THIRD PARTIES FOR INFRINGEMENT AND THE LIKE. This warranty constitutes the only warranty given, superseding all prior or contemporaneous oral or written representations. No Seller, employee or any other person is authorized to modify this warranty or make any warranty in addition to those set forth herein.
13. ASAHl FURTHER MAKES NO WARRANTIES, EITHER EXPRESSED, IMPLIED OR STATUTORY, INCLUDING ANY IMPLIED WARRANTY OF MERCHANTABILITY OR FITNESS FOR A PARTICULAR PURPOSE, APPLICATION OR USE AND ANY IMPLIED WARRANTY AGAINST CLAIMS BY THIRD PARTIES FOR INFRINGEMENT AND THE LIKE FOR PRODUCTS ORDERED TO CUSTOM SPECIFICATIONS BY THE BUYER, THAT ARE EXPERIMENTAL, DEVELOPMENTAL OR PROTOTYPE PRODUCTS.
14. Buyer's remedies in the event of any breach by Asahi shall be exclusively limited to the return of the goods and repayment of the price. These remedies are the purchaser's exclusive remedies for breach of warranty. In no event shall buyer be entitled to claim any special, incidental, punitive or consequential damages of any nature, including, but not limited to, loss of anticipated profits and injury to persons or property. Provided further, Seller shall not be responsible for any warranty for its products integrated into systems designed or specified by third parties without the specific written authority of the Seller.
15. Payment terms shall be as set forth on the face of Asahi's invoice to buyer. Terms adjustment will be made upon request of buyer only if shipment is made more than 7 days in advance of buyer's requested ship date. Discounts will not be allowed on late payments. Discounts are applicable on merchandise only and not on freight or service charges. An interest charge of 1 1/2% percent per month (an annual rate of 18%) will be charged in states where legal on the unpaid balance owed together with cost of collection including reasonable attorney's costs. Asahi will charge a \$75.00 minimal order requirement on all orders. Any tax or duty imposed by any government will be added to the sales price.
16. Any waiver of any of these terms of sale by Asahi shall not be construed to be a waiver of the terms and conditions hereof as applied to subsequent transactions.
17. Any controversy or claim arising out of or relating to this agreement or that breach thereof shall be governed by the laws of the Commonwealth of Massachusetts. Any action or suit must be commenced within one year following delivery of the goods.

Note: Current Terms and Conditions may be found online at the following address  
<http://asahi-america.com/support/warranty-policy>





# **Another Corrosion Problem Solved.™**

---



**ASAHI/AMERICA®**  
Your Experts in Plastics™

**655 Andover St, Lawrence, MA 01843**

**Tel: 800-343-3618; 781-321-5409**

**Direct Sales: East (800) 232-7244**  
**Central (800) 442-7244**  
**West (800) 282-7244**

**Fax: 800-787-6861**

**[www.asahi-america.com](http://www.asahi-america.com)**

**[asahi@asahi-america.com](mailto:asahi@asahi-america.com)**

---