

Air-Pro®

Blue Polyethylene (PE)
Compressed Air Piping System

REV:IN0512PE

Air-Pro®

Materials: ASTM D3350 cell classification PE346544C or better. Resin shall comply with FDA Code of Federal Regulators (CFR), Title 21, Chapter 1: Section 177.1520 determining suitability for contact with foodstuff.

Meets Cal/OSHA requirements for transport of compressed air

Pipe Production: Dimensions and tolerances shall exceed ISO 15494 requirement.

Fitting Production: Dimensions and tolerances shall exceed ISO 15494 requirement.

Pressure Rating: Components shall be pressure rated in accordance with ASTM D2837 and DIN 8077 for hydrostatic design basis. Components shall be manufactured to standard dimensional ratio (SDR) 7 & 11.

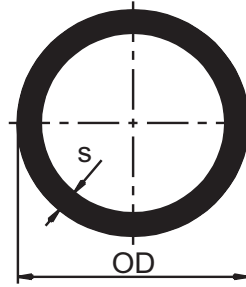
Based on continuous service life of 50 years at 68° F (20° C).

SDR7: 230psi (PN16)

SDR11: 150psi (PN10)

PN = Nominal pressure in bar.

Joining: Available methods shall be according to the schedule below
DVS 2208-1 Socket: 1/2" (20mm) through 4" (110mm)
DVS 2207-1 Contact Butt: 1/2" (20mm) through max product size

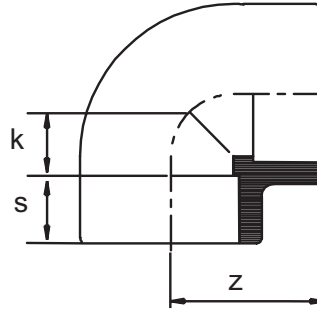


PIPE* 5 meter (16.4') lengths

Size		Dimensions			SDR 7 / PN 16 / 230 PSI
mm	inch	OD	s	Weight (lb/lth)	Part Number
20	1/2	0.79	0.110	1.76	5802005
25	3/4	0.98	0.138	2.65	5802007
32	1	1.26	0.173	4.30	5802010
40	1-1/4	1.57	0.217	6.72	5802012
50	1-1/2	1.97	0.272	10.47	5802015
63	2	2.48	0.339	16.42	5802020
90	3	3.54	0.484	33.40	5802030
110	4	4.33	0.594	50.04	5802040

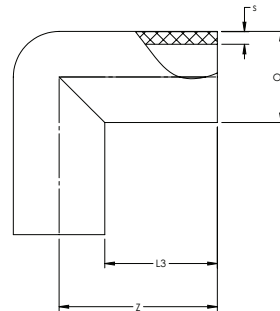
*Sold in 5m (16.4') lengths only.

Air-Pro® systems 20-110mm are blue. SDR 7.4 and rated at 230psi.



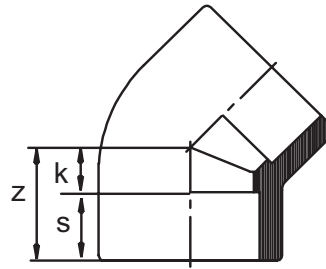
90 DEGREE ELBOW

Size		Dimensions			SDR 7 / PN 16 / 230 PSI
mm	inch	Z	s	k	Part Number
20	1/2	1.177	0.626	0.551	5805005
25	3/4	1.378	0.709	0.669	5805007
32	1	1.547	0.760	0.787	5805010
40	1-1/4	1.815	0.831	0.984	5805012
50	1-1/2	2.055	0.953	1.102	5805015
63	2	2.421	1.043	1.378	5805020
90	3	3.311	1.382	1.929	5805030
110	4	3.937	1.693	2.244	5805040



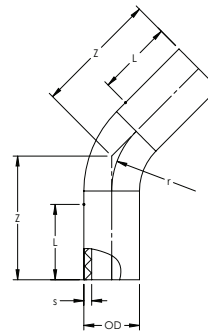
90 DEGREE SWEEP ELBOW

Size		Dimensions			SDR 7.4 / PN 16 / 230 PSI	
mm	inch	s	Z	L3	Weight (lbs)	Part Number
63	2	0.34	4.29	2.99	0.68	580501020
90	3	0.48	4.96	3.25	1.66	580501030
110	4	0.59	5.73	3.46	2.69	580501040



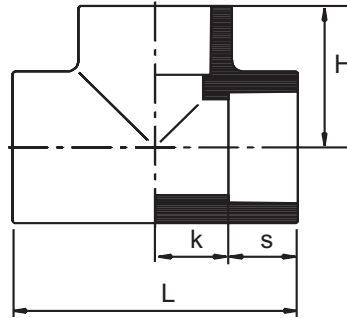
45 DEGREE ELBOW

Size		Dimensions			SDR 7 / PN 16 / 230 PSI
mm	inch	Z	s	k	Part Number
20	1/2	1.063	0.630	0.433	5808005
25	3/4	1.240	0.689	0.551	5808007
32	1	1.468	0.799	0.669	5808010
40	1-1/4	1.673	0.846	0.827	5808012
50	1-1/2	1.984	0.961	1.024	5808015
63	2	2.402	1.102	1.299	5808020
90	3	3.256	1.445	1.811	5808030
110	4	3.886	1.681	2.205	5808040



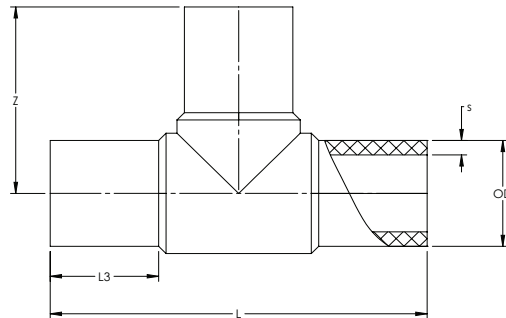
45 DEGREE SWEEP ELBOW - BUTT

Size		Dimensions				SDR 7.4 / PN 16 / 230 PSI	
mm	inch	s	z	r	L	Weight (lbs)	Part Number
63	2	0.34	6.69	3.74	3.94	1.10	580801020
90	3	0.48	8.66	5.31	5.91	2.87	580801030
110	4	0.59	9.45	6.50	5.91	4.85	580801040



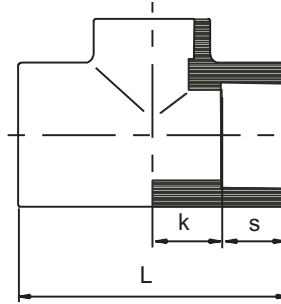
TEE - SOCKET

Size		Dimensions				SDR 7 / PN 16 / 230 PSI	
mm	inch	L	H	s	k	Part Number	
20	1/2	2.362	1.177	0.626	0.551	5820005	
25	3/4	2.756	1.378	0.748	0.630	5820007	
32	1	3.126	1.547	0.760	0.787	5820010	
40	1-1/4	3.701	1.831	0.846	0.984	5820012	
50	1-1/2	4.252	2.134	0.972	1.161	5820015	
63	2	4.933	2.461	1.142	1.319	5820020	
90	3	7.268	3.594	1.488	2.106	5820030	
110	4	8.150	4.075	1.654	2.421	5820040	



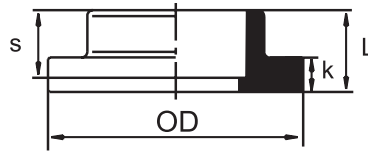
TEE - BUTT

Size		Dimensions				SDR 7.4 / PN 16 / 230 PSI	
mm	inch	s	z	L	L3	Weight (lbs)	Part Number
63	2	0.34	4.37	8.62	2.48	1.08	582001020
90	3	0.48	5.55	11.18	3.11	2.81	582001030
110	4	0.59	6.22	12.40	3.23	4.59	582001040



REDUCING TEE

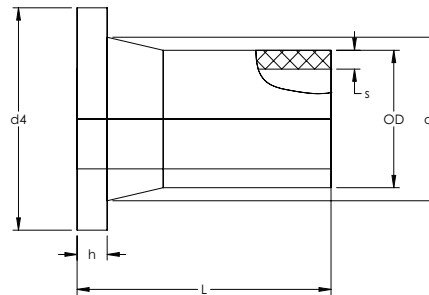
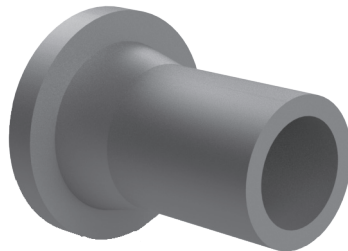
Size		Dimensions			SDR 7 / PN 16 / 230 PSI
mm	inch	L	s	k	Part Number
25 x 20	3/4 x 1/2	1.496	0.618	0.878	5824101
32 x 20	1 x 1/2	1.732	0.614	1.118	5824130
32 x 25	1 x 3/4	1.732	0.697	1.035	5824131
40 x 20	1-1/4 x 1/2	1.949	0.610	1.339	5824166
40 x 25	1-1/4 x 3/4	1.949	0.689	1.260	5824167
40 x 32	1-1/4 x 1	1.968	0.780	1.189	5824168
50 x 20	1-1/2 x 1/2	2.165	0.646	1.520	5824208
50 x 25	1-1/2 x 3/4	2.138	0.697	1.441	5824210
50 x 32	1-1/2 x 1	2.146	0.701	1.445	5824211
50 x 40	1-1/2 x 1-1/4	2.126	1.004	1.122	5824212
63 x 25	2 x 3/4	2.520	0.709	1.811	5824248
63 x 32	2 x 1	2.520	0.787	1.732	5824249
63 x 40	2 x 1-1/4	2.500	0.827	1.673	5824250
63 x 50	2 x 1-1/2	2.520	0.965	1.555	5824251



STUB END* (FLANGE ADAPTER)

Size		Dimensions				SDR 7 / PN 16 / 230 PSI
mm	inch	L	OD	s	k	Part Number
20	1/2	0.827	1.772	0.630	0.382	5833005
25	3/4	0.906	2.283	0.669	0.374	5833007
32	1	0.984	2.677	0.748	0.382	5833010
40	1-1/4	1.043	3.071	0.866	0.433	5833012
50	1-1/2	1.181	3.465	0.941	0.472	5833015
63	2	1.319	4.016	1.083	0.543	5833020
90	3	1.654	5.433	1.358	0.630	5833030
110	4	1.890	6.220	1.614	0.736	5833040

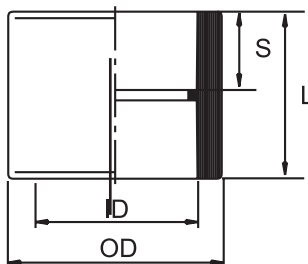
*Requires backing ring. See page 282-284.



STUB END* (FLANGE ADAPTER) - BUTT

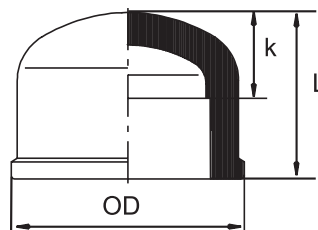
Size		Dimensions					SDR 7.4 / PN 16 / 230 PSI	
mm	inch	s	L	d3	d4	h	Weight (lbs)	Part Number
63	2	0.34	4.65	2.95	4.02	0.55	0.58	583301020
90	3	0.48	5.51	4.13	5.43	0.67	1.33	583301030
110	4	0.59	5.51	4.92	6.22	0.71	1.94	583301040

*Requires backing ring. See page 282-284.



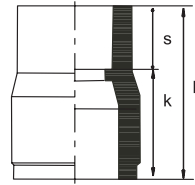
COUPLING

Size		Dimensions				SDR 7 / PN 16 / 230 PSI
mm	inch	L	OD	ID	S	Part Number
20	1/2	1.378	1.181	0.787	0.634	5816005
25	3/4	1.535	1.374	0.984	0.709	5816007
32	1	1.677	1.681	1.260	0.787	5816010
40	1-1/4	1.811	2.035	1.575	0.866	5816012
50	1-1/2	2.024	2.520	1.968	0.965	5816015
63	2	2.335	3.169	2.480	1.110	5816020
90	3	3.059	4.496	3.543	1.378	5816030
110	4	3.543	5.244	4.331	1.681	5816040



END CAP

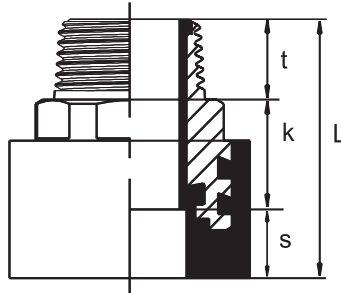
Size		Dimensions			SDR 7 / PN 16 / 230 PSI
mm	inch	OD	L	k	Part Number
20	1/2	1.280	1.063	0.445	5812005
25	3/4	1.484	1.201	0.587	5812007
32	1	1.831	1.358	0.661	5812010
40	1-1/4	2.283	1.496	0.886	5812012
50	1-1/2	2.756	1.850	1.161	5812015
63	2	3.406	2.362	1.583	5812020
90	3	4.685	3.150	2.504	5812030
110	4	5.512	3.701	3.004	5812040



CONCENTRIC REDUCER

Size		Dimensions			SDR 7 / PN 16 / 230 PSI
mm	inch	L	s	k	Part Number
25 x 20	3/4 x 1/2	1.496	0.618	0.878	5829101
32 x 20	1 x 1/2	1.732	0.614	1.118	5829130
32 x 25	1 x 3/4	1.732	0.697	1.035	5829131
40 x 20	1-1/4 x 1/2	1.949	0.61	1.339	5829166
40 x 25	1-1/4 x 3/4	1.949	0.689	1.260	5829167
40 x 32	1-1/4 x 1	1.968	0.78	1.189	5829168
50 x 20	1-1/2 x 1/2	2.165	0.646	1.52	5829208
50 x 25	1-1/2 x 3/4	2.138	0.697	1.441	5829210
50 x 32	1-1/2 x 1	2.146	0.701	1.445	5829211
50 x 40	1-1/2 x 1-1/4	2.126	1.004	1.122	5829212
63 x 25	2 x 3/4	2.520	0.709	1.811	5829248
63 x 32	2 x 1	2.520	0.787	1.732	5829249
63 x 40	2 x 1-1/4	2.500	0.827	1.673	5829250
63 x 50	2 x 1-1/2	2.520	0.965	1.555	5829251
90 x 63	3 x 2	3.366	1.1902	2.264	5829338
110 x 63	4 x 2	3.465	1.122	2.343	5829420
110 x 90	4 x 3	3.445	1.476	1.968	5829422

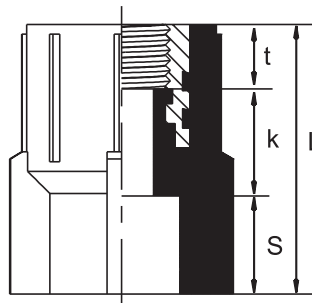
Large dimension is spigot end, small dimension is socket.



MALE ADAPTER

Size		Dimensions				SDR 7 / PN 16 / 230 PSI
mm	inch	L	s	k	t	Part Number
20	1/2	2.244	0.591	1.043	0.610	5859005
25	3/4	2.402	0.669	1.102	0.669	5859007
32	1	2.598	0.709	1.181	0.709	5859010
40	1-1/4	2.795	0.827	1.142	0.827	5859012
50	1-1/2	3.031	0.945	1.142	0.945	5859015
63	2	3.268	1.083	1.102	1.083	5859020

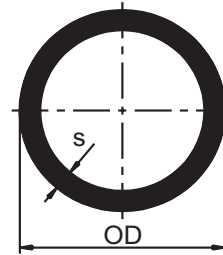
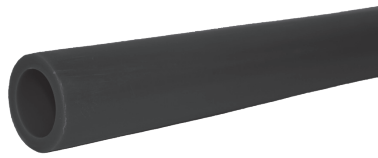
Nickle plated brass threads.



FEMALE ADAPTER

Size		Dimensions				SDR 7 / PN 16 / 230 PSI
mm	inch	L	S	k	t	Part Number
20	1/2	1.598	0.62	0.386	0.591	5853005
25	3/4	1.606	0.62	0.386	0.709	5853007
32	1	1.850	0.71	0.386	0.787	5853010
40	1-1/4	1.949	0.79	0.386	0.827	5853012
50	1-1/2	2.268	0.91	0.386	1.004	5853015
63	2	2.567	1.04	0.386	1.142	5853020

Nickel-plated brass threads

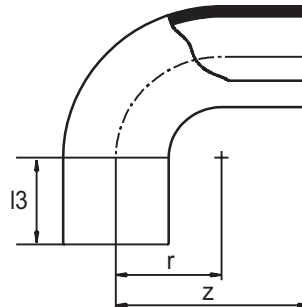


PIPE* 5 meter (16.4') lengths

Size		Dimensions			SDR 11 / PN 10 / 150 PSI
mm	inch	OD	s	Weight (lb/ft)	Part Number
160	6	6.30	0.575	4.48	5803060
200	8	7.87	0.717	6.99	5803080
250	10	9.84	0.894	10.89	5803100
315	12	12.40	1.126	17.21	5803120

*Sold in 5m (16.4') lengths only.

Air-Pro® systems 160-315mm are black, SDR 11 and rated at 150psi.



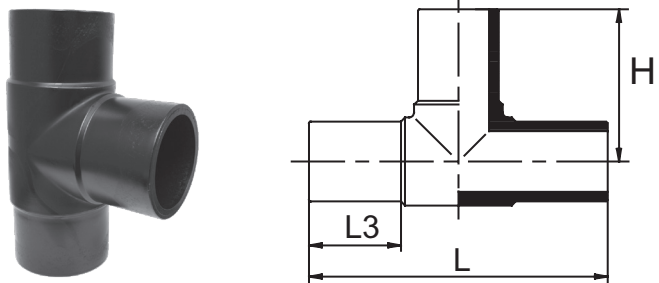
90 DEGREE ELBOW

Size		Dimensions			SDR 11 / PN 10 / 150 PSI
mm	inch	z	r	l3	Part Number
160	6	12.638	6.535	6.102	5811060
200	8	14.882	8.189	6.693	5811080
250	10	17.323	10.039	7.677	5811100
315	12	21.260	12.480	8.661	5811120



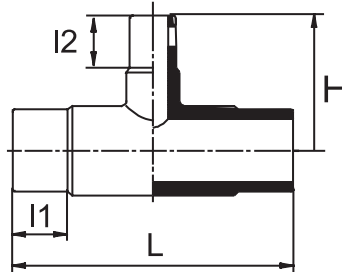
45 DEGREE ELBOW

Size		Dimensions		SDR 11 / PN 10 / 150 PSI
mm	inch	z	L	Part Number
160	6	6.161	4.587	5809060
200	8	6.772	4.803	5809080
250	10	8.543	6.220	5809100
315	12	9.882	6.968	5809120



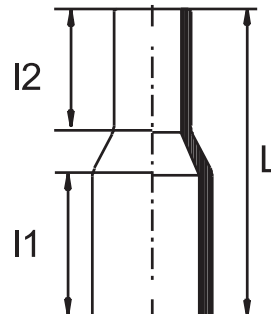
TEE

Size		Dimensions			SDR 11 / PN 10 / 150 PSI
mm	inch	L	H	L3	Part Number
160	6	16.063	7.972	3.937	5823060
200	8	21.653	10.827	5.315	5823080
250	10	24.488	12.205	5.827	5823100
315	12	29.646	14.764	6.693	5823120



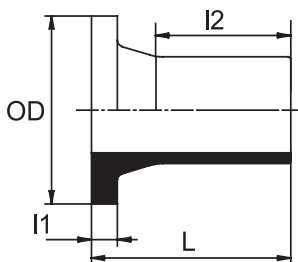
REDUCING TEE

Size		Dimensions				SDR 11 / PN 10 / 150 PSI
mm	inch	L	H	I1	I2	Part Number
160 x 63	6 x 2	13.396	6.752	3.917	2.598	5825530
160 x 90	6 x 3	13.504	6.968	3.976	3.150	5825531
160 x 110	6 x 4	11.417	7.618	3.858	3.268	5825532
200 x 63	8 X 2	21.653	8.860	5.276	3.150	5825581
200 x 90	8 X 3	21.653	8.860	5.276	3.740	5825582
200 x 110	8 x 4	21.653	9.449	5.276	4.055	5825583
200 x 160	8 x 6	21.653	10.433	5.276	4.488	5825585
250 x 110	10 x 4	24.803	9.764	5.827	3.386	5825626
250 x 160	10 x 6	24.803	10.551	5.827	3.937	5825627
250 x 200	10 x 8	24.803	11.417	5.827	4.567	5825628
315 x 110	12 x 4	21.496	11.417	6.693	3.937	5825658
315 x 200	12 x 8	22.638	12.205	6.693	4.724	5825660
315 x 250	12 x 10	26.378	13.110	6.693	5.905	5825673



CONCENTRIC REDUCER

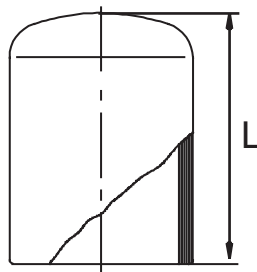
Size		Dimensions			SDR 11 / PN 10 / 150 PSI
mm	inch	L	I1	I2	Part Number
160 x 110	6 x 4	8.740	3.858	3.465	5831532
200 x 110	8 x 6	9.921	4.409	4.016	5831585
200 x 160	10 x 6	12.362	6.102	4.449	5831627
315 x 110	10 x 8	12.362	6.102	4.921	5831628
315 x 200	12 x 8	14.764	7.047	5.236	5831660
315 x 250	12 x 10	14.764	6.693	6.102	5831673



STUB END* (FLANGE ADAPTER)

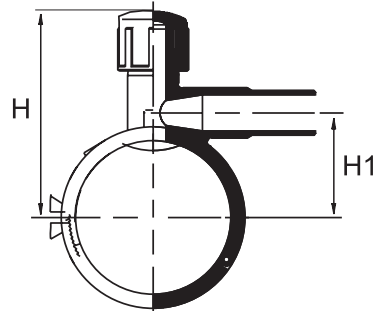
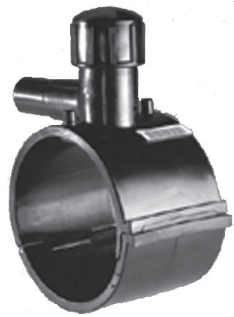
Size		Dimensions				SDR 11 / PN 10 / 150 PSI
mm	inch	OD	L	I1	I2	Part Number
160	6	8.346	7.146	0.984	4.980	5832060
200	8	10.551	7.146	1.260	4.626	5832080
250	10	12.598	10.827	1.378	7.953	5832100
315	12	14.567	15.039	1.378	11.890	5832120

*Requires backing ring. See page 282-284.



ELONGATED END CAP

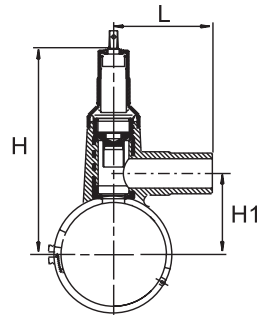
Size		Dimensions	SDR 11 / PN 10 / 150 PSI
mm	inch	L	Part Number
160	6	6.594	5813060
200	8	7.146	5813080
250	10	9.055	5813100
315	12	10.315	5813120



ELECTROFUSION TAPPING SADDLE

Size		Dimensions		SDR 11 / PN 10 / 150 PSI
mm	inch	H	H1	Part Number
63 x 20	2 X 1/2	6.673	2.352	5839246
63 x 32	2 x 1	6.673	2.244	5839249
63 x 40	2 X 1-1/4	6.673	2.303	5839250
63 x 63	2 X 2	6.673	2.362	5839020
90 x 32	3 x 1	5.433	2.559	5839336
90 x 63	3 x 2	6.142	2.559	5839338
110 x 20	4 X 1/2	8.130	2.992	5839399
110 x 32	4 x 1	8.130	2.992	5839401
110 x 40	4 X 1-1/4	8.130	2.992	5839412
110 x 63	4 x 2	8.130	3.248	5839420
160 x 20	6 X 1/2	9.114	3.878	5839512
160 x 32	6 x 1	9.114	3.898	5839516
160 x 40	6 X 1-1/4	9.114	4.075	5839519
160 x 63	6 x 2	9.114	4.134	5839530
200 x 63	8 X 2	9.902	4.803	5839581
250 x 63	10 X 2	11.693	5.945	5839624
315 x 63	12 X 2	13.405	7.146	5839656

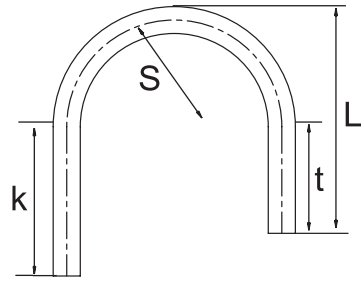
Air-Pro® pipe electrofusion saddles are rated at 150psi.
Requires use of Polymatic electrofusion welding machine.



TAPPING SADDLE WITH VALVE

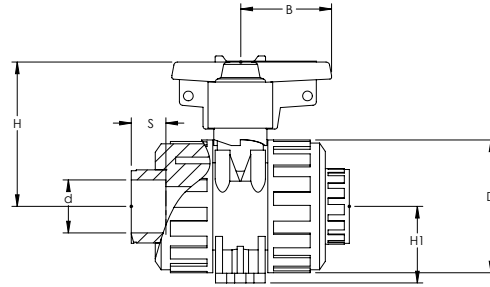
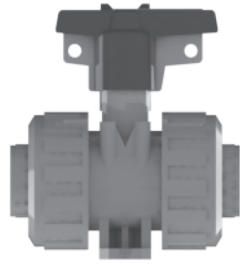
Size		Dimensions			SDR 11 / PN 10 / 150 PSI
mm	inch	L	H	H1	Part Number
63 x 32	2 x 1	5.157	7.657	2.571	5838249
63 x 40	2 X 1-1/4	5.512	7.657	2.571	5838250
63 x 50	2 X 1-1/2	6.319	7.657	2.571	5838251
63 x 63	2 X 2	7.362	7.657	2.571	5838020
90 x 32	3 x 1	5.315	9.764	3.110	5838336
90 x 40	3 x 1-1/4	5.709	9.764	3.110	5838335
90 x 50	3 X 1-1/2	6.339	9.764	3.110	5838337
90 x 63	3 X 2	7.559	9.764	3.110	5838338
110 x 32	4 x 1	5.394	10.118	3.425	5838401
110 x 40	4 X 1-1/4	5.787	10.157	3.425	5838412
110 x 50	4 X 1-1/2	6.299	10.157	3.425	5838415
110 x 63	4 x 2	7.583	10.157	3.425	5838420
160 x 32	6 x 1	5.394	11.142	4.071	5838516
160 x 40	6 X 1-1/4	5.787	11.142	4.457	5838519
160 x 50	6 X 1-1/2	6.339	11.142	4.457	5838523
160 x 63	6 x 2	7.441	11.142	4.457	5838530
200 x 32	8 X 1	5.394	11.929	5.276	5838571
200 x 40	8 X 1-1/4	5.748	11.929	5.276	5838565
200 x 50	8 X 1-1/2	6.260	11.929	5.276	5838580
200 x 63	8 X 2	7.520	11.929	5.276	5838581
250 x 63	12 X 2	7.559	14.193	8.016	5838656

Air-Pro® pipe electrofusion saddles are rated at 150psi.
Requires use of Polymatic electrofusion welding machine.



SPIGOT GOOSENECK FAUCET

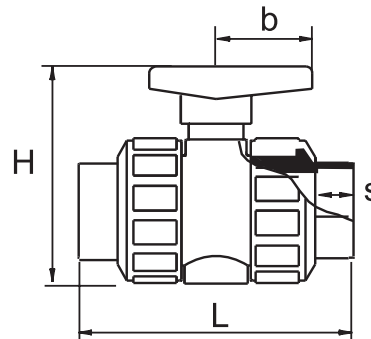
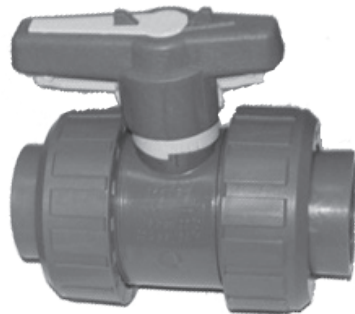
Size		Dimensions				SDR 7 / PN 16 / 230 PSI
mm	inch	L	S	k	t	Part Number
20	1/2	10	5	7	5	5835005
25	3/4	9	5	7	4	5835007
32	1	10	5	7	5	5835010



BALL VALVE - NEW M1 STYLE w/ Mounting Pads*

Size		Dimensions				Weight Lbs	SDR 7 / PN 16 / 230 PSI
mm	inch	L	b	H	H1		Part Number
20	1/2	3.88	1.57	2.93	1.30	.35	580117005
25	3/4	4.45	2.03	3.27	1.57	.53	580117007
32	1	4.84	2.03	3.37	1.71	.66	580117010
40	1-1/4	5.55	2.52	4.11	2.01	1.06	580117012
50	1-1/2	6.50	2.87	4.45	2.22	1.68	580117015
63	2	7.66	3.34	4.78	2.54	2.49	580117020

* Available after original style is depleted.



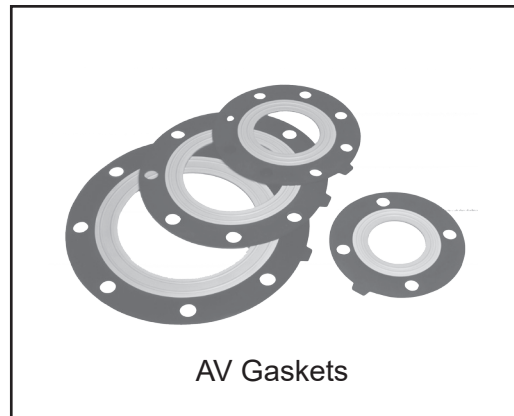
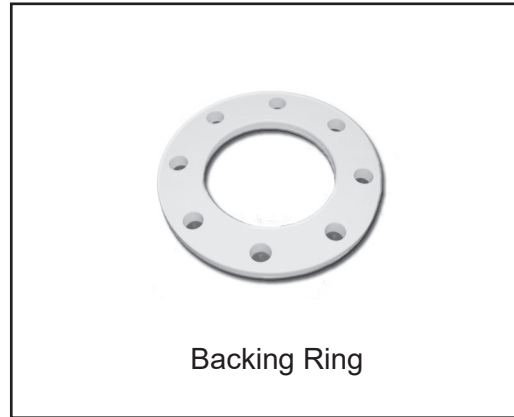
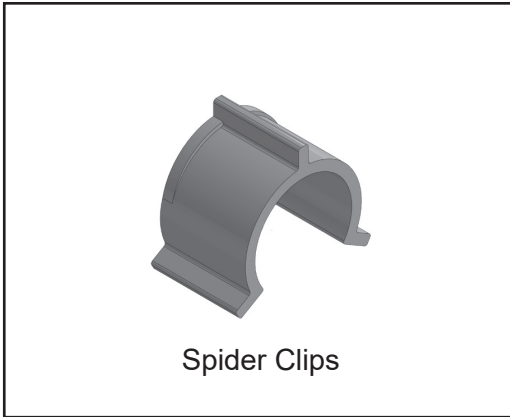
**BALL VALVE - ORIGINAL STYLE
(BEING DISCONTINUED*)**

Size		Dimensions				SDR 7 / PN 16 / 230 PSI
mm	inch	L	H	b	S	Part Number
25	3/4	4.370	2.126	2.165	0.630	5801007
40	1-1/4	5.433	3.031	2.559	0.807	5801012
90	3	11.22	6.47	5.20	1.538	5801030

*While supplies last.

Air-Pro® ball valves sizes 20-63mm are rated 230psi.

Piping System Accessories



Accessories

BACKING RING*

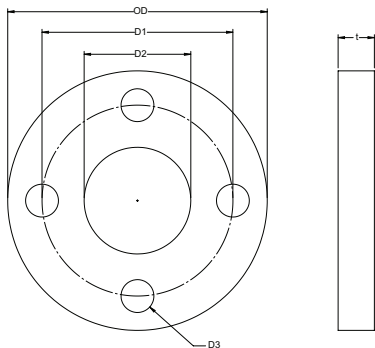


Backing Ring

Size		Description	PP - Grey
mm	inch		Part Number
20	1/2	ANSI 150#	5046005
25	3/4	ANSI 150#	5046007
32	1	ANSI 150#	5046010
40	1-1/4	ANSI 150#	5046012
50	1-1/2	ANSI 150#	5046015
63	2	ANSI 150#	5046020
75	2-1/2	ANSI 150#	5046025
90	3	ANSI 150#	5046030
110	4	ANSI 150#	5046040
160	6	ANSI 150#	5046060
200/225	8	ANSI 150#	5046080
250/280	10	ANSI 150#	5046100
315	12	ANSI 150#	5046120

*DIN bolt pattern PN 10/16 available.

Accessories



Size		Dimensions						
mm	inch	OD	D1	D2	D3	t	Weight	# of Bolt Holes
20	1/2	3.740	2.380	1.102	0.630	0.472	0.463	4
25	3/4	4.016	2.750	1.339	0.630	0.472	0.529	4
32	1	4.488	3.120	1.654	0.630	0.630	0.807	4
40	1-1/4	5.118	3.500	2.008	0.630	0.630	1.235	4
50	1-1/2	5.236	3.880	2.441	0.630	0.709	1.193	4
63	2	6.378	4.750	3.071	0.787	0.709	1.788	4
75	2-1/2	7.244	5.500	3.622	0.787	0.709	2.352	4
90	3	7.638	6.000	4.370	0.787	0.709	2.271	4
110	4	9.016	7.500	5.236	0.787	0.709	3.342	8
160	6	11.142	9.500	7.008	0.866	0.945	5.115	8
200/225	8	13.583	11.750	9.291	0.866	0.945	7.474	8
250/280	10	16.220	14.250	11.339	0.984	1.024	13.669	12
315	12	19.173	17.000	13.307	0.984	1.260	28.748	12

225mm (9") and 200mm (8") stub ends use 8" ANSI backing rings.
Consult factory for backing rings larger than 315mm (12").

BACKING RING*

Size		Description	PP - Black*
mm	inch		Part Number
20	1/2	ASNI 150#	5146005
25	3/4	ASNI 150#	5146007
32	1	ASNI 150#	5146010
40	1-1/4	ASNI 150#	5146012
50	1-1/2	ASNI 150#	5146015
63	2	ASNI 150#	5146020
75	2-1/2	ASNI 150#	5146025
90	3	ASNI 150#	5146030
110	4	ASNI 150#	5146040
160	6	ASNI 150#	5146060
200/225	8	ASNI 150#	5146080
250/280	10	ASNI 150#	5146100
315	12	ASNI 150#	5146120



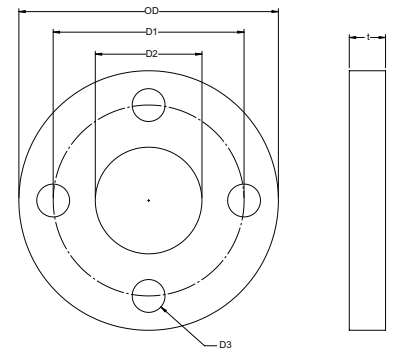
Backing Ring

*DIN bolt pattern PN 10/16 available.

*PP black UV resistant.

Accessories

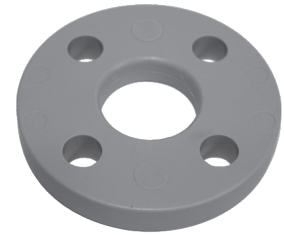
Size		Dimensions						
mm	inch	OD	D1	D2	D3	t	Weight	# of Bolt Holes
20	1/2	3.740	2.380	1.102	0.630	0.472	0.463	4
25	3/4	4.016	2.750	1.339	0.630	0.472	0.529	4
32	1	4.488	3.120	1.654	0.630	0.630	0.807	4
40	1-1/4	5.118	3.500	2.008	0.630	0.630	1.235	4
50	1-1/2	5.236	3.880	2.441	0.630	0.709	1.193	4
63	2	6.378	4.750	3.071	0.787	0.709	1.788	4
75	2-1/2	7.244	5.500	3.622	0.787	0.709	2.352	4
90	3	7.638	6.000	4.370	0.787	0.709	2.271	4
110	4	9.016	7.500	5.236	0.787	0.709	3.342	8
160	6	11.142	9.500	7.008	0.866	0.945	5.115	8
200/225	8	13.583	11.750	9.291	0.866	0.945	7.474	8
250/280	10	16.220	14.250	11.339	0.984	1.024	13.669	12
315	12	19.173	17.000	13.307	0.984	1.260	28.748	12



225mm (9") and 200mm (8") stub ends use 8" ANSI backing rings.
Consult factory for backing rings larger than 315mm (12").

BACKING RING*

Size		Description	Ductile Iron+	316 SS++
mm	inch		Part Number	Part Number
20	1/2	ANSI 150#	-	504501005
25	3/4	ANSI 150#	5048007	504501007
32	1	ANSI 150#	5048010	504501010
40	1-1/4	ANSI 150#	5048012	-
50	1-1/2	ANSI 150#	5048015	504501015
63	2	ANSI 150#	5048020	504501020
75	2-1/2	ANSI 150#	5048025	-
90	3	ANSI 150#	5048030	504501030
110	4	ANSI 150#	5048040	504501040
160	6	ANSI 150#	5048060	504501060
200/225	8	ANSI 150#	5048080	504501080
250/280	10	ANSI 150#	5048100	504501100
315	12	ANSI 150#	5048120	504501120
355	14	ANSI 150#	5048140	-
400	16	ANSI 150#	5048160	-
450	18	ANSI 150#	5048180	-
500	20	ANSI 150#	5048200	-
550	22	ANSI 150#	5048220	-
630	24	ANSI 150#	5048240	-

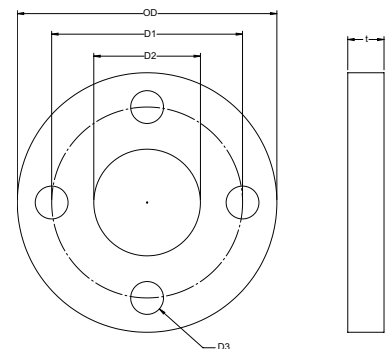


Backing Ring

*DIN bolt pattern PN 10/16 available.
 +DI backing rings not recommended for socket stub ends.
 ++ Contact A/A for current Stainless Steel pricing.

Accessories

Size		Dimensions							# of Bolt Holes
mm	inch	OD	D1	D2	D3	t	Weight		
20	1/2	3.740	2.380	1.102	0.630	0.472	0.463	4	
25	3/4	4.016	2.750	1.339	0.630	0.472	0.529	4	
32	1	4.488	3.120	1.654	0.630	0.630	0.807	4	
40	1-1/4	5.118	3.500	2.008	0.630	0.630	1.235	4	
50	1-1/2	5.236	3.880	2.441	0.630	0.709	1.193	4	
63	2	6.378	4.750	3.071	0.787	0.709	1.788	4	
75	2-1/2	7.244	5.500	3.622	0.787	0.709	2.352	4	
90	3	7.638	6.000	4.370	0.787	0.709	2.271	4	
110	4	9.016	7.500	5.236	0.787	0.709	3.342	8	
160	6	11.142	9.500	7.008	0.866	0.945	5.115	8	
200/225	8	13.583	11.750	9.291	0.866	0.945	7.474	8	
250/280	10	16.220	14.250	11.339	0.984	1.024	13.669	12	
315	12	19.173	17.000	13.307	0.984	1.260	22.500	12	
355	14	21.000	19.750	14.800	1.130	1.380	30.000	12	
400	16	23.500	21.250	16.930	1.130	1.440	35.000	16	
450	18	25.000	22.750	18.500	1.250	1.560	39.000	16	
500	20	27.500	25.000	21.250	1.250	1.690	56.000	20	
630	24	32.000	29.500	25.000	1.380	2.130	74.000	20	



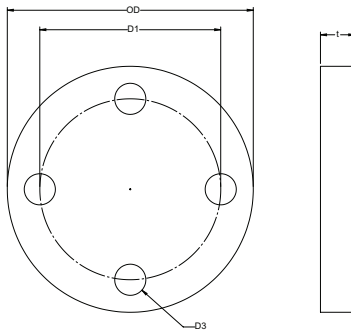
PP BLIND FLANGE



**PP
Blind Flange**

Size		Description	230 PSI Part Number
mm	inch		
20	1/2	Steel Insert, ANSI 150#	5042005
25	3/4	Steel Insert, ANSI 150#	5042007
32	1	Steel Insert, ANSI 150#	5042010
40	1-1/4	Steel Insert, ANSI 150#	5042012
50	1-1/2	Steel Insert, ANSI 150#	5042015
63	2	Steel Insert, ANSI 150#	5042020
75	2-1/2	Steel Insert, ANSI 150#	5042025
90	3	Steel Insert, ANSI 150#	5042030
110	4	Steel Insert, ANSI 150#	5042040
160	6	Steel Insert, ANSI 150#	5042060
200	8	Steel Insert, ANSI 150#	5042080
250	10	Steel Insert, ANSI 150#	5042100
315	12	Steel Insert, ANSI 150#	5042120

Accessories



Size		OD	D1	D3	t	Weight (lbs)	# of Bolt Holes
mm	inch						
20	1/2	3.740	2.380	0.630	0.472	0.569	4
25	3/4	4.016	2.750	0.630	0.472	0.750	4
32	1	4.488	3.120	0.630	0.630	1.118	4
40	1-1/4	5.118	3.500	0.630	0.630	1.614	4
50	1-1/2	5.236	3.880	0.630	0.709	1.775	4
63	2	6.378	4.750	0.787	0.709	2.690	4
75	2-1/2	7.244	5.500	0.787	0.709	3.400	4
90	3	7.638	6.000	0.787	0.709	4.057	4
110	4	9.016	7.500	0.787	0.709	6.504	8
160	6	11.142	9.500	0.866	0.945	11.244	8
200	8	13.583	11.750	0.866	0.945	17.461	8
250	10	16.220	14.250	0.984	1.024	33.400	12
315	12	19.173	17.000	0.984	1.260	63.493	12

PVDF BLIND FLANGE LINER

Size		Description	Not Pressure Rated Part Number
mm	inch		
20	1/2	ANSI 150#	5427005
25	3/4	ANSI 150#	5427007
32	1	ANSI 150#	5427010
40	1-1/4	ANSI 150#	5427012
50	1-1/2	ANSI 150#	5427015
63	2	ANSI 150#	5427020
75	2-1/2	ANSI 150#	5427025
90	3	ANSI 150#	5427030
110	4	ANSI 150#	5427040
160	6	ANSI 150#	5427060
200	8	ANSI 150#	5427080

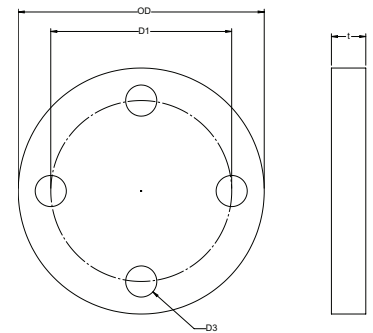


**PVDF
Blind Flange**

Machined item non-returnable / non-cancelable.
Not for pressure applications unless utilized with pressure rated blind flange see above.

Accessories

Size		OD	D1	D3	t	Weight (lbs)	# of Bolt Holes
mm	inch						
20	1/2	3.740	2.380	0.630	0.669	0.258	4
25	3/4	4.016	2.750	0.630	0.669	0.340	4
32	1	4.488	3.120	0.630	0.669	0.507	4
40	1-1/4	5.118	3.500	0.630	0.669	0.732	4
50	1-1/2	5.236	3.880	0.630	0.669	0.805	4
63	2	6.378	4.750	0.787	0.669	1.220	4
75	2-1/2	7.244	5.500	0.787	0.669	1.542	4
90	3	7.638	6.000	0.787	0.669	1.840	4
110	4	9.016	7.500	0.787	0.669	2.950	8
160	6	11.142	9.500	0.866	0.669	5.100	8
200	8	13.583	11.750	0.866	0.669	7.920	8
250	10	16.220	14.250	0.984	0.669	15.150	12
315	12	19.173	17.000	0.984	0.669	28.800	12



AV Gaskets

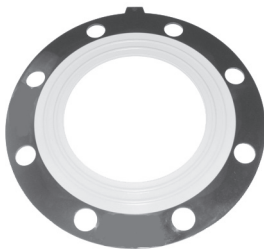
Please consult current Valve List Price book to ensure the list prices on all AV gaskets are current. Current Valve Price book supersedes this pricing.



EPDM
Durometer 65-70



PVDF
Durometer 83-85



PTFE
Durometer 95-100

CT GASKETS -PTFE*



PTFE

* Non stock-special order

AV Gaskets - EPDM

Size	Description	Part Number
1/2"	EPDM	3113005
3/4"	EPDM	3113007
1"	EPDM	3113010
1-1/4"	EPDM	3113012
1-1/2"	EPDM	3113015
2"	EPDM	3113020
2-1/2"	EPDM	3113025
3"	EPDM	3113030
4"	EPDM	3113040
6"	EPDM	3113060
8"	EPDM	3113080
10"	EPDM	3113100
12"	EPDM	3113120

AV Gaskets - PVDF

Size	Description	Part Number
1/2"	PVDF	3115005
3/4"	PVDF	3115007
1"	PVDF	3115010
1-1/2"	PVDF	3115015
2"	PVDF	3115020
3"	PVDF	3115030
4"	PVDF	3115040
6"	PVDF	3115060
8"	PVDF	3115080
10"	PVDF	3115100

AV Gaskets - PTFE

Size	Description	Part Number
1/2"	PTFE	3114005
3/4"	PTFE	3114007
1"	PTFE	3114010
1-1/4"	PTFE	3114012
1-1/2"	PTFE	3114015
2"	PTFE	3114020
2-1/2"	PTFE	3114025
3"	PTFE	3114030
4"	PTFE	3114040
6"	PTFE	3114060
8"	PTFE	3114080
10"	PTFE	3114100
12"	PTFE	3114120

General grade, available cleaned and bagged.

Size		Description	Part Number
mm	inch		
355	14	ANSI 150#	3116140
400	16	ANSI 150#	3116160
450	18	ANSI 150#	3116180
500	20	ANSI 150#	3116200
630	24	ANSI 150#	3116240

Accessories

SPIDER CLIP - PP

Size		PRO150 X 150	PRO150 X 45	PRO45 X 45
mm	inch	Part Number	Part Number	Part Number
32 x 90	1 X 3	5244134	-	-
63 x 110	2 X 4	5244420	5346420	-
90 x 160	3 X 6	5244531	5346531	-
110 x 200	4 X 8	5244583	5346583	5346583
160 x 250	6 X 10	5244627	5346627	5346627
200 x 315	8 X 12	5244660	5346660	5346660
250 x 355	10 X 14	5244702	5346702	5346702
315 x 400	12 X 16	5244690	5346690	5346690
355 x 450	14 X 18	5244710	5346710	5346710
400 x 500	16 X 20	-	5346726	5346726



**PP
Spider Clip**

SPIDER CLIP - PVDF

Size		PRO150 X 150	PRO150 X 45	PRO45 X 45
mm	inch	Part Number	Part Number	Part Number
32 x 90	1 X 3	5244134	-	-
63 x 110	2 X 4	5244420	5346420	-
90 x 160	3 X 6	5244531	5346531	-
110 x 200	4 X 8	5244583	5346583	5346583
160 x 250	6 X 10	5244627	5346627	5346627
200 x 315	8 X 12	5244660	5346660	5346660
250 x 355	10 X 14	5244702	5346702	5346702
315 x 400	12 X 16	5244690	5346690	5346690
355 x 450	14 X 18	5244710	5346710	5346710
400 x 500	16 X 20	-	5346726	5346726

SPIDER CLIP - PE (FOR CHEM PROLINE®)

Sizes		SDR	Part Number
mm	inches		
32 x 90	1 x 3	SDR 11 x 11	4784134
63 x 110	2 x 4	SDR 11 X 33	4784420
90 x 169	3 x 6	SDR 11 x 33	4784531
110 x 200	4 x 8	SDR 11 x 33	4784583
200 x 250	6 x 10	SDR 11 x 33	4784627
200 x 315	8 x 12	SDR 11 x 33	4784660
250 x 355	10 x 14	SDR 11 x 33	4784702
315 x 400	12 x 16	SDR 11 x 33	4784690



**PE
Spider Clip**

SUPPORT DISC - PP

**PP
Support
Disc**

Size		PRO150 X 150	PRO150 X 45	PRO45 X 45
mm	inch	Part Number	Part Number	Part Number
32 x 90	1 X 3	5242134	-	-
63 x 110	2 X 4	5242420	5344420	-
90 x 160	3 X 6	5242531	5344531	-
110 x 200	4 X 8	5242583	5344583	5344583
160 x 250	6 X 10	5242627	5344627	5344627
200 x 315	8 X 12	5242660	5344660	5344660
250 x 355	10 X 14	5242702	5344702	5344702
315 x 400	12 X 16	-	5344690	5344690
355 x 450	14 X 18	-	5344710	5344710
400 x 500	16 X 20	-	5344726	5344726

Required if full pipe length is cut. Must be installed before welding pipe.

SUPPORT DISC - PVDF

**PVDF
Support
Disc**

Size		PVDF X PVDF
mm	inch	Part Number
32 x 90	1 X 3	6238134
63 x 110	2 X 4	6238420
90 x 160	3 X 6	6238531
110 x 200	4 X 8	6238583
160 x 250	6 X 10	6238627
200 x 315	8 X 12	6236660

Required if full pipe length is cut. Must be installed before welding pipe.

SUPPORT DISC - PE (FOR CHEM PROLINE®)

**PE
Support
Disc**

Sizes		SDR	Part Number
mm	inches		
32 x 90	1 x 3	SDR 11 x 11	4744134
63 x 110	2 x 4	SDR 11 X 33	4744420
90 x 169	3 x 6	SDR 11 x 33	4744531
110 x 200	4 x 8	SDR 11 x 33	4744583
200 x 250	6 x 10	SDR 11 x 33	4744627
200 x 315	8 x 12	SDR 11 x 33	4744660
250 x 355	10 x 14	SDR 11 x 33	4744702
315 x 400	12 x 16	SDR 11 x 33	4744690

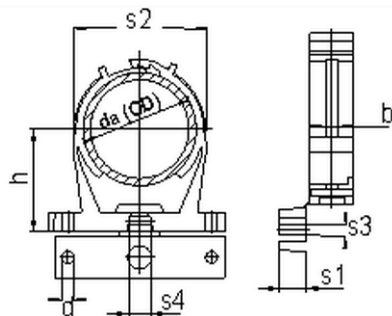
Required if full pipe length is cut. Must be installed before welding pipe.



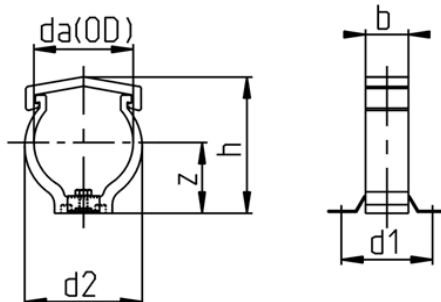
PIPE CLIPS

Size		Description	Part Number
mm	inch		
20	1/2	Snap Clips	5349005
25	3/4	Snap Clips	5349007
32	1	Snap Clips	5349010
40	1-1/4	Snap Clips	5349012
50	1-1/2	Snap Clips	5349015
63	2	2 Piece Clip	5246020
75	2-1/2	2 Piece Clip	5246025
90	3	2 Piece Clip	5246030
110	4	2 Piece Clip	5246040
160	6	2 Piece Clip	5246060
200	8	2 Piece Clip	5246080
225	9	2 Piece Clip	5246090

Accessories



Size		h	s1	s2	s3/d	s4	b
mm	inch						
20	1/2	1.06	0.24	1.14	0.26	0.35	0.55
25	3/4	1.18	0.40	1.34	0.26	0.35	0.63
32	1	1.24	0.45	1.54	0.26	0.35	0.63
40	1-1/4	1.46	0.55	1.97	0.26	0.35	0.69
50	1-1/2	1.61	0.59	2.20	0.26	0.35	0.79



Size		z	d1	d2	h	b
mm	inch					
63	2	2.04	2.91	3.07	3.74	1.16
75	2-1/2	2.40	3.23	3.70	4.41	1.57
90	3	2.63	3.22	4.25	5.03	1.57
110	4	3.14	3.22	5.39	5.98	1.57
160	6	4.56	4.33	7.24	8.54	2.36
200	8	5.82	4.33	9.37	10.50	2.36
225	9	6.22	4.33	10.28	11.46	2.36



PIPE CLIPS

Size		Description	Part Number
mm	inch		
250	10	Snap Clips	5350100
280	11	Snap Clips	5350110
315	12	Snap Clips	5350120
355	14	Snap Clips	5350140
400	16	Snap Clips	5350160

10-16" pipe clips are special order.

Accessories

Size		B	D	E	d3	Z1	Z2
mm	inch						
250	10	7.88	0.98	1.57	0.51	7.19	5.61
280	11	7.88	0.98	1.57	0.51	7.78	6.12
315	12	8.86	0.98	1.57	0.51	8.6	6.75
355	14	10.12	1.18	1.97	0.67	10.87	8.27
400	16	11.34	1.18	1.97	0.67	11.85	9.06

