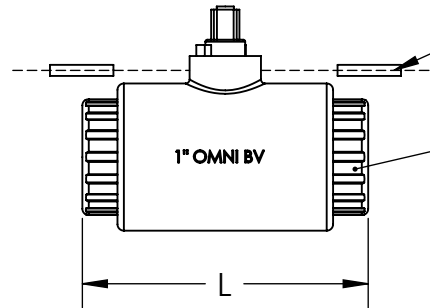
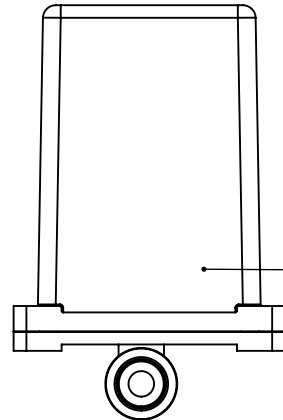
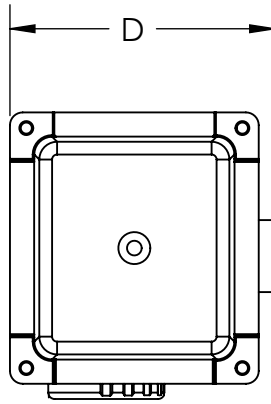
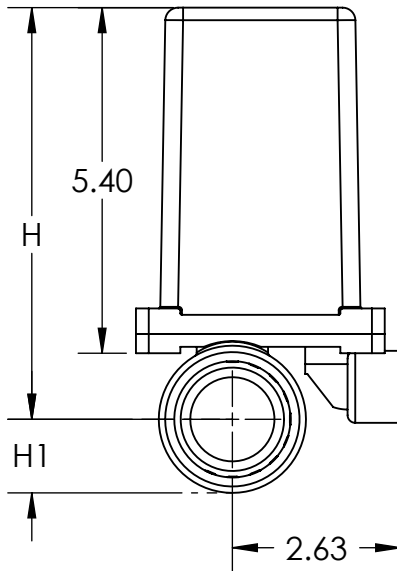


REV	DATE	DESCRIPTION	DR	APPD
A	3/8/10	FIRST ISSUE	CW	DH



SIZE	H1	H	L	D
1/2"	.61	5.93	3.82	4.14
3/4"	.94	6.15	4.06	4.14
1"	1.16	6.35	4.45	4.14
1-1/4"	1.15	6.36	5.00	4.14
1-1/2"	1.45	6.75	5.94	4.14
2"	1.74	7.04	6.97	4.37

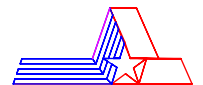


ITEM	DESCRIPTION	MATERIAL	QTY
1	OMNI BALL VALVE	PVC, CPVC, PP, PVDF	1
2	ELECTROMNI ACTUATOR	ABS & PVC	1
3	COUPLING	303 STAINLESS STEEL	1
4	ALLEN SET SCREW	STAINLESS STEEL	2

UNLESS OTHERWISE SPECIFIED	
DIMENSIONS ARE IN INCHES	
MACHINING TOLERANCES:	2 PL DECIMALS ±.01 3 PL DECIMALS ±.005 ANGULAR ± 1/2° FRACTIONAL ± 1/64
FABRICATION TOLERANCES:	1/2" - 8" ± 1/4 10" AND UP ± 1/2 ANGULAR ± 1.0°
MATERIAL:	
FINISH:	N/A

THIS DRAWING AND ALL INFORMATION HEREON IS THE PROPERTY OF ASAHI/AMERICA. ANY COPYING, REPRODUCTION OR UNAUTHORIZED USE IS FORBIDDEN WITHOUT WRITTEN CONSENT.	
NAME	DATE
DR	<i>C. Williams</i> 3/8/10
APPD	<i>D. Hurley</i> 3/8/10
PROD	
PRODUCT:	
WO#/CO#	

ASAHI/AMERICA
ISO 9001 CERTIFIED
35 GREEN STREET, P.O. BOX 653, MALDEN, MA.



**1/2" THRU 2" OMNI BALL VALVE
ELECTROMNI**

SIZE	A	DWG. NO.	0119BV83	REV	A
SCALE	1:5		SHEET 1 OF 1		

NOTE: The shape and appearance of assembly differ a little with nominal size