

FACTS | FIGURES | DATA

Diaphragm pressure gauge guard Z800 · Z801

Z800 · Z801



ASAHI/AMERICA

www.asahi-america.com • asahi@asahi-america.com • Tel: (800) 343-3618, (781) 321-5409

Diaphragm pressure gauge guard Z800 · Z801 diaphragm protected



Z800 PP



Z800 PVC



Z800 PVDF



Z801 PP



Z801 PVC



Z801 PVDF

APPLICATION

The diaphragm pressure gauge guard is applicable to measure pressure of neutral and aggressive media. The pressure gauge is separated from the medium by a TFM-overlaid EPDM diaphragm. Pressure will be transmitted by a buffer fluid. The large diaphragm surface and the incompressibility of the buffer fluid allows an high accurate pressure transmission. The variety of possible materials covers a wide range of applications.

SPECIAL FEATURES

- All medium wetted parts are made of high resistant plastic
- Pressure gauge does not has contact with the medium
- Pressure guard is maintenance-free
- Variable installation position
- Large size diaphragm surface provides high accuracy
- The unique coupling nut design impedes any torsion on the diaphragm that guarantees an high precisely pressure transmission
- The new design assures an uniform sealing pressure on the diaphragm
- Various connecting options are available by changing of the base part

TECHNICAL DATA

Available materials	upper part and union nut in PP GF30 lower part in PP, PVC, PVDF diaphragm EPDM/TFM coated glysantine or distilled water
Buffer fluid	glysantine or distilled water
Max. operating temp.	PN 10 by 20°C (145psig by 68°F)
Pressure gauge connects Connection spigot	G 1/4" and G 1/2" female thread G, 1/4" / 1/2" PP, PVC, PVDF female thread NPT, 1/4" / 1/2" PP, PVC, PVDF bonded nozzle d25 / d32 in PVC IR-welded hexagon nipple d25 / d32 PP, PVDF
Pressure gauge range	Standard 0-10 bar eff. (0 – 145 psig) with R 1/4" Ø63 mm (2-3/8") with R 1/2" Ø100 mm, (4") others on request
Accuracy	Standard class 1,6

PART LIST

Item	Description
1	Lower part (PP, PVC and PVDF)
2	Union nut
3	EPDM/TFM coated diaphragm
4	Upper part
5	Pressure gauge sealing
6	Pressure gauge

We reserve the right to make changes

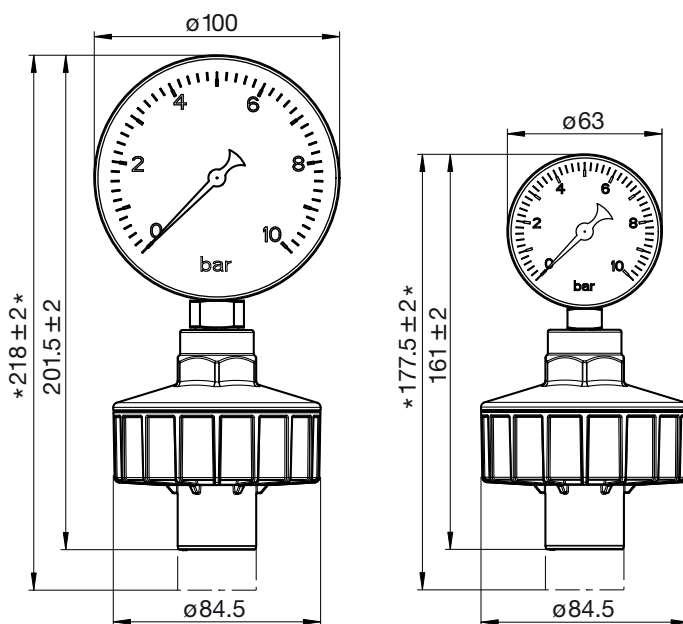
Filling the buffer fluid

- Upper body (Item 4) of the pressure gauge guard Z800/Z801-fill preferably with Glysantine, or distilled water up to the lower edge of the threaded socket.
- Move smoothly (up and down) the diaphragm from below using a blunt object until no more air bubbles appear
- Screw in the pressure gauge
- If the pressure gauge already display a pressure, some buffer fluid has to be removed until there is no pressure displayed

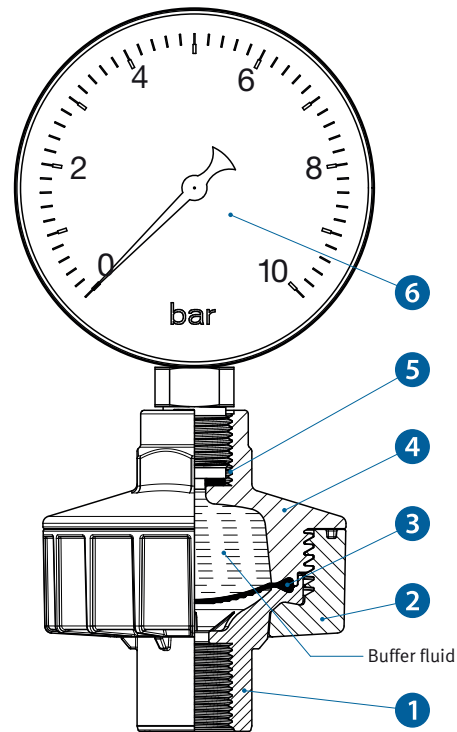
Installing instructions

We recommend to install the pressure gauge guard in a vertical position with a previous screwed connection and a shut-off-device. This ensures that the pressure gauge can be brought into the desired read-off position and an easy replacement is possible.

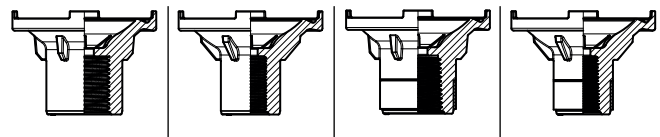
Various pressure gauges are as option available.



The technical data is non-binding. It is not to be regarded as representing assured properties or as a guarantee of quality or durability. We reserve the right to make changes. Our general terms of sale apply.

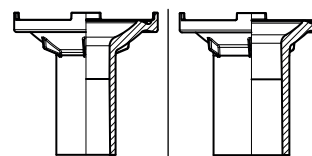


THREADED FEMALE CONNECTIONS



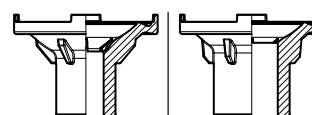
G1/2"	G1/4"	NPT1/2"	NPT1/4"
PP	PP	PP	PP
PVC	PVC	PVC	PVC
PVDF	PVDF	PVDF	PVDF

FUSION SPIGOT

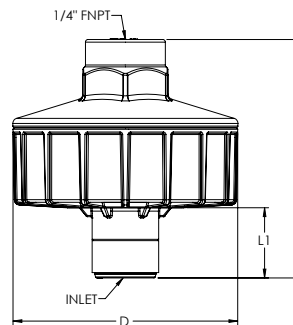


d25	d32
PP	PP
PVDF	PVDF

ADHESIVE SPIGOT



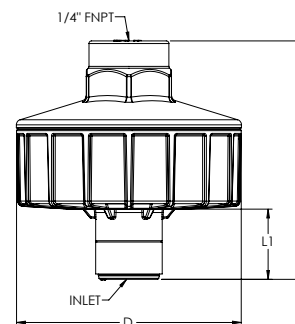
d25	d32
PVC	PVC



Purad® UHP PVDF
Z801 GAUGE GUARD

Inlet Size	Description	Dimensions			SDR 11 / PN10 / 150 PSI
		D	L	L1	Part Number
1/4" FNPT	TFM Backed EPDM Diaphragm	3.327	3.524	1.004	17801303
1/2" FNPT	TFM Backed EPDM Diaphragm	3.327	3.524	1.004	17801304
25mm Butt	TFM Backed EPDM Diaphragm	3.327	4.173	1.654	17801305
32mm Butt	TFM Backed EPDM Diaphragm	3.327	4.173	1.654	17801306

1/4" FNPT, gauge not included. Items are non-stock which are non-returnable / non-cancelable.



PP-Pure®
Z801 GAUGE GUARD

Inlet Size	Description	Dimensions			SDR 11 / PN10 / 150 PSI
		D	L	L1	Part Number
1/4" FNPT	TFM Backed EPDM Diaphragm	3.327	3.524	1.004	17801309
1/2" FNPT	TFM Backed EPDM Diaphragm	3.327	3.524	1.004	17801310
25mm Butt	TFM Backed EPDM Diaphragm	3.327	4.173	1.654	17801307
32mm Butt	TFM Backed EPDM Diaphragm	3.327	4.173	1.654	17801308

1/4" FNPT, gauge not included. Items are non-stock which are non-returnable / non-cancelable.

7800.7801

Diaphragm pressure gauge guard

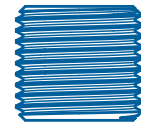
Pressure gauge



Pressure gauge sealing 1/4"



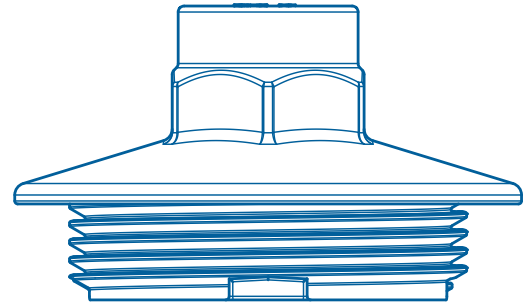
Thread reduction G1/2"-G1/4"



Pressure gauge sealing 1/2"



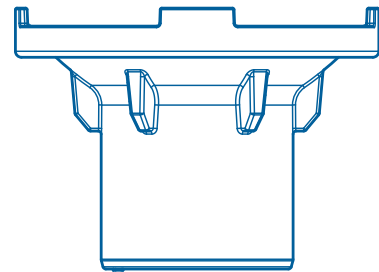
Upper part



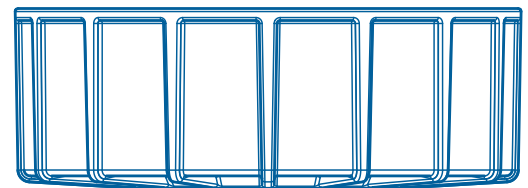
Diaphragm



Lower part



Union nut



7800 • 7801

Another Corrosion Problem Solved.™



655 Andover St., Lawrence, MA 01843

Tel: 800-343-3618; 781-321-5409

East (800) 232-7244

Central (800) 442-7244

West (800) 282-7244

Fax: 800-426-7058

www.asahi-america.com

asahi@asahi-america.com