

Pro-Vent[®] Duct System



Pipe • Fittings • Dampers

Another
Corrosion
Problem
Solved.™



www.asahi-america.com

PRO-VENT® DUCT SYSTEM

Features and Benefits



Lightweight Materials

- Chemical and corrosion resistant
- Environmentally safe
- Quick installation
- Low maintenance and operation costs

Multiple Installation Methods

- Slip socket with hot air and/or extrusion welding

Ideal Applications

- Laboratories, hospitals, universities
- Semiconductor manufacturing
- Metal finishing processes

Supply Range



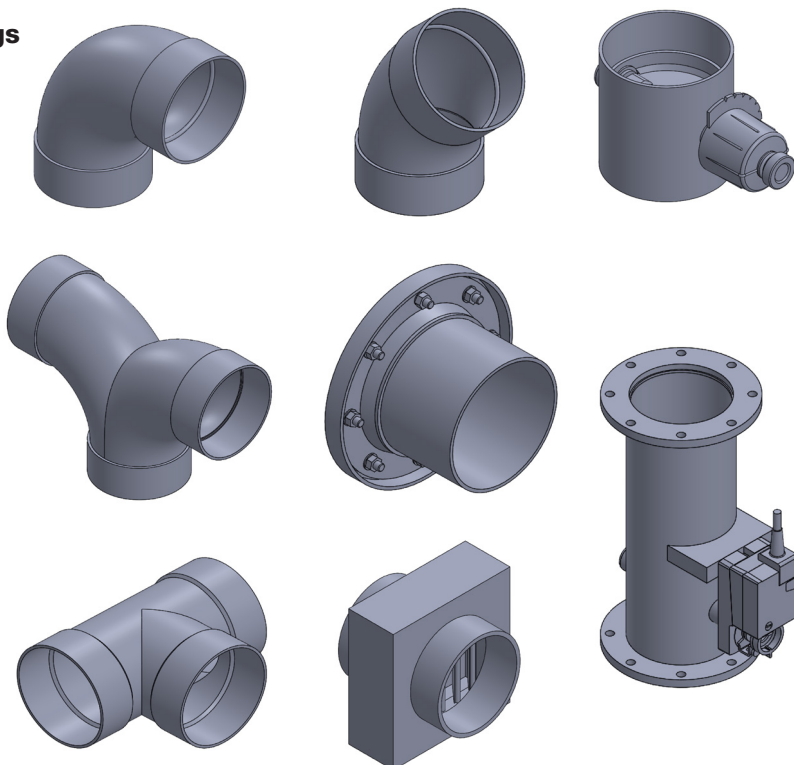
Materials and Sizes:	PP (Polypropylene)	63mm - 1200mm (2" - 48")
	PPs (Polypropylene self extinguishing)	63mm - 1200mm (2" - 48")
	PPs-el (Polypropylene self extinguishing - electroconductive)	90mm - 400mm (3" - 16")
	PE (Polyethylene)	90mm - 1200mm (3" - 48")
	PVDF (Polyvinylidene fluoride)	63mm - 400mm (2" - 16")
Welding:	Hot air or extrusion welding	

A Complete System

Pro-Vent® piping is specifically designed and manufactured for ventilation and exhaust systems that transport corrosive fumes. It is superior in performance to PVC, fiberglass, and sheet metal systems due to its chemical resistance, mechanical properties, solid construction, and ease of installation. It is perfect for applications as diverse as water treatment facilities, electroplating shops, semiconductor wet stations, and pharmaceutical processing.

Complete Selection of Pipe and Fittings

- Bends
- Couplings
- Damper units
- Reducers
- Tees and wyes
- Breeches
- Flanges
- Flexible connectors
- Inspection access ports
- End caps
- Condensing roof outlets
- Roof heads
- Outlet cowls
- Supply and return grills
- Wall ducts for through wall application
- Back flow dampers
- Saddles
- Air exhaust louvers



PRO-VENT® DUCT SYSTEM

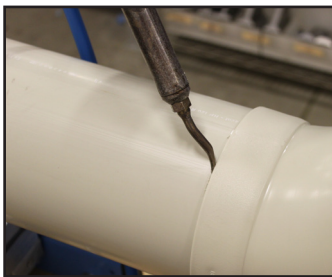
Pressure Ratings

		20°C / 68°F		30°C / 86°F		40°C / 104°F		50°C / 122°F	
		10 year	25 year	10 year	25 year	10 year	25 year	10 year	25 year
OD x wall thickness	Material	inch WC		inch WC		inch WC		inch WC	
110 x 3.0	PVDF	78.7	75.6	-	-	59.8	56.7	-	-
110 x 2.7	PP, PPs	24.0	22.0	22.0	20.0	20.0	18.0	18.0	16.0
110 x 2.7	PE	16.4	14.4	14.4	13.2	12.4	11.6	11.2	10.0
200 x 3.0	PVDF	12.6	12.1	-	-	9.6	9.1	-	-
200 x 3.0	PP, PPs	5.6	5.0	4.8	4.6	4.4	4.2	4.0	3.6
200 x 4.9	PE	16.4	14.4	14.4	13.2	12.4	11.6	11.2	10.0
315 x 4.0	PVDF	7.6	7.3	-	-	5.8	5.5	-	-
315 x 5.0	PP, PPs	6.6	6.0	5.8	5.4	5.2	5.0	4.6	4.4
315 x 7.7	PE	16.4	14.4	14.4	13.2	12.4	11.6	11.2	10.0
400 x 5.0	PVDF	7.2	7.0	-	-	5.5	5.2	-	-
400 x 6.0	PP, PPs	5.6	5.0	4.8	4.6	4.4	4.2	4.0	3.6
400 x 8.0	PE	8.1	7.3	6.8	6.2	5.5	5.1	4.4	-
500 x 8.0	PP, PPs	6.8	6.2	6.0	5.6	5.4	5.0	4.8	4.0
500 x 8.0	PE	4.0	3.7	3.3	3.1	2.6	2.4	2.2	-
630 x 10.0	PP, PPs	6.6	6.0	5.8	5.4	5.2	5.0	4.6	4.4
630 x 10.0	PE	4.0	3.5	3.3	2.9	2.6	2.4	2.2	-

Note: PPs-el pressure ratings must be reduced by 50 percent of value shown for PP, PPs.

Common sizes and material shown for overview of pressure/vacuum, contact Asahi/America for sizes shown.

Installation



Tack



Weld



Complete

- All Pro-Vent® fittings supplied with socket ends.
- Wall thickness up to and including 3mm joined by single pass hot air welding using 5mm x 3mm triangle welding rod.
- Wall thickness 5mm and greater requires hot air or extrusion welding.
- Fittings can be tack welded during installation to ensure proper alignment, then hot air welded to seal all joints.
- When fully cooled, Pro-Vent® welds do not require an additional cure time and are ready for service.



Another Corrosion Problem Solved.TM



655 Andover St, Lawrence, MA 01843

Tel: 800-343-3618; 781-321-5409

**Direct Sales: East (800) 232-7244
Central (800) 442-7244
West (800) 282-7244**

Fax: 800-787-6861

www.asahi-america.com

asahi@asahi-america.com