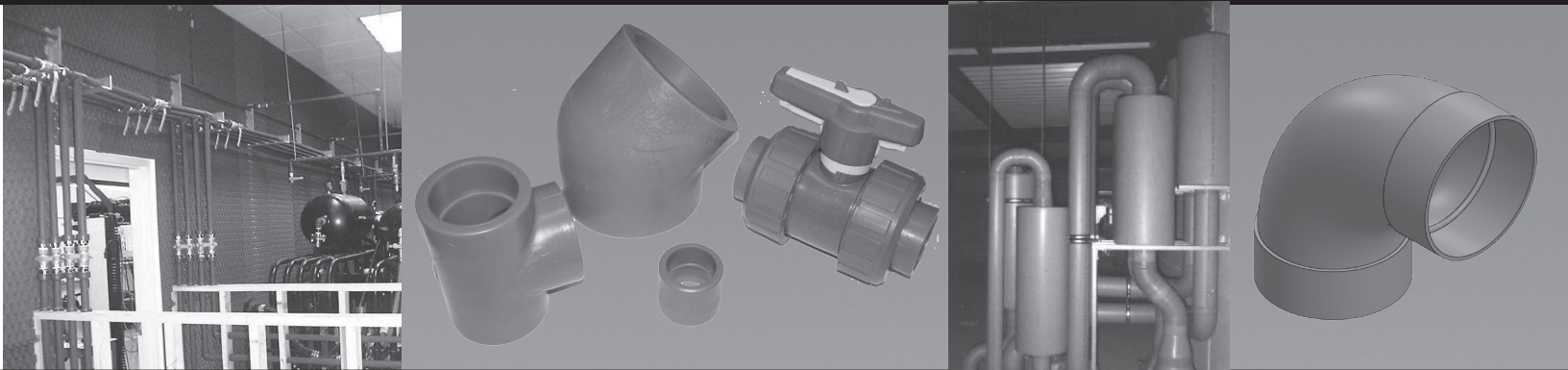


# Air Handling Piping Systems

**Air-Pro®**  
**ProVent®**

- Compressed Air System
- PP Vent Duct System



**Another  
Corrosion  
Problem  
Solved.™**



[www.asahi-america.com](http://www.asahi-america.com)

**Air-Pro®**

*Product Specification*..... Page 350

**SOCKET PIPE AND FITTINGS**

Pipe, 90° Elbow..... Page 351  
 45° Elbow, Tee..... Page 352  
 Reducing Tee, Coupling..... Page 353  
 Stub End, End Cap..... Page 354  
 Concentric Reducer..... Page 355  
 Male Adapter, Female Adapter..... Page 356

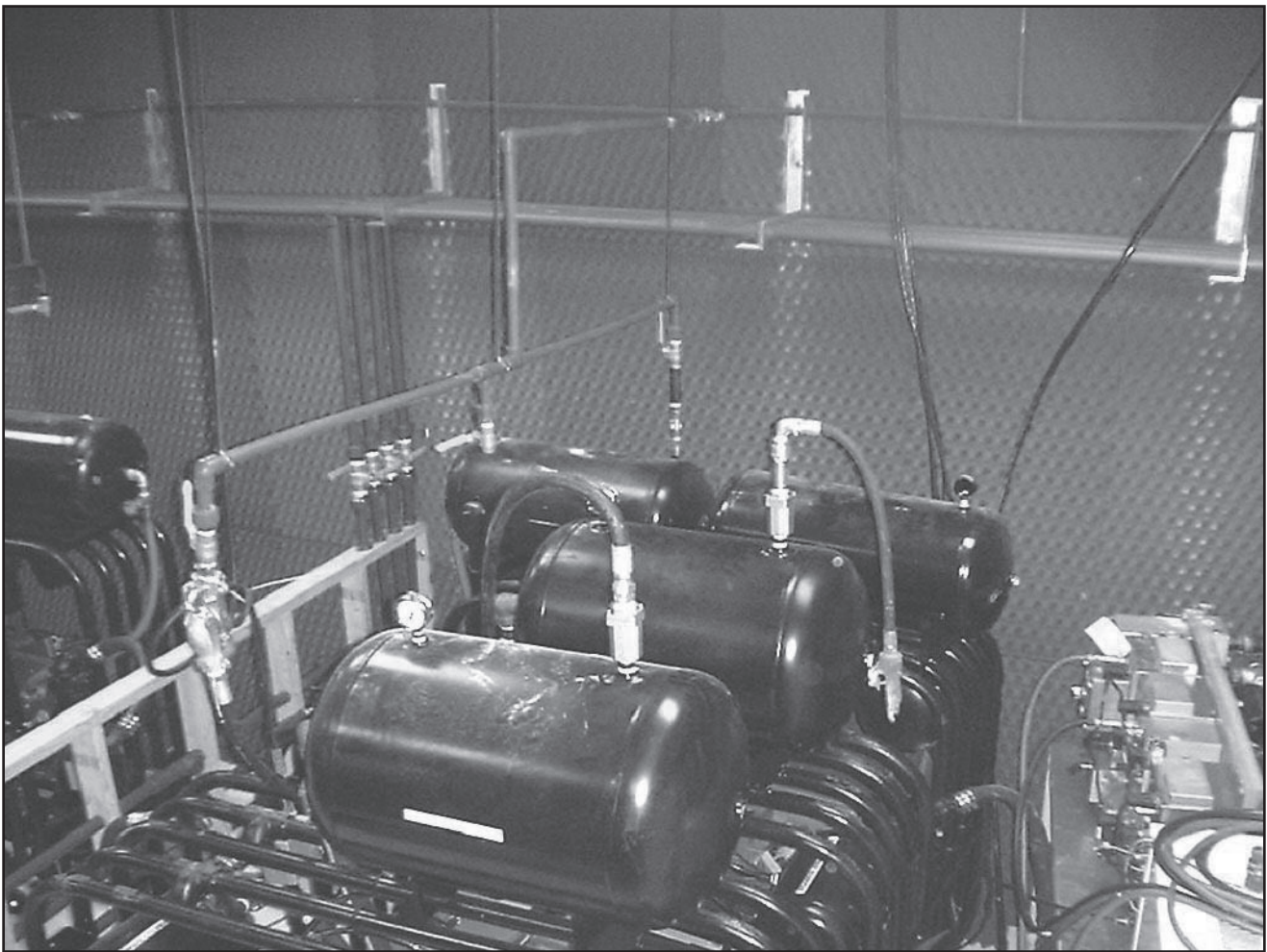
**BUTT AND ELECTROFUSION PIPE AND FITTINGS**

Pipe, 90° Elbow..... Page 357  
 45° Elbow, Tee..... Page 358  
 Reducing Tee, Concentric Reducer..... Page 359  
 Stub End, Elongated End Cap..... Page 360  
 Tapping Saddle, Tapping Saddle with Valve..... Page 361  
 Gooseneck Faucet, Ball Valve..... Page 362  
 PE Ball Valve without and with Gear..... Page 363

**ProVent®**

Overview..... Page 364  
 Pipe..... Page 366  
 90° Elbow..... Page 368  
 45° Elbow..... Page 370  
 Tee..... Page 372  
 Socket Flange..... Page 374

# Air-Pro® Compressed Air Piping System





# Air-Pro®

Blue Polyethylene (PE)  
Compressed Air Piping System

REV:IN0512PE

**Materials:** ASTM D3350 cell classification PE346544C or better. Resin shall comply with FDA Code of Federal Regulators (CFR), Title 21, Chapter 1: Section 177.1520 determining suitability for contact with foodstuff.

Meets Cal/OSHA requirements for transport of compressed air

**Pipe Production:** Dimensions and tolerances shall exceed ISO 15494 requirement.

**Fitting Production:** Dimensions and tolerances shall exceed ISO 15494 requirement.

**Pressure Rating:** Components shall be pressure rated in accordance with ASTM D2837 and DIN 8077 for hydrostatic design basis. Components shall be manufactured to standard dimensional ratio (SDR) 7 & 11.

Based on continuous service life of 50 years at 68° F (20° C).

SDR7: 230psi (PN16)

SDR11: 150psi (PN10)

PN = Nominal pressure in bar.

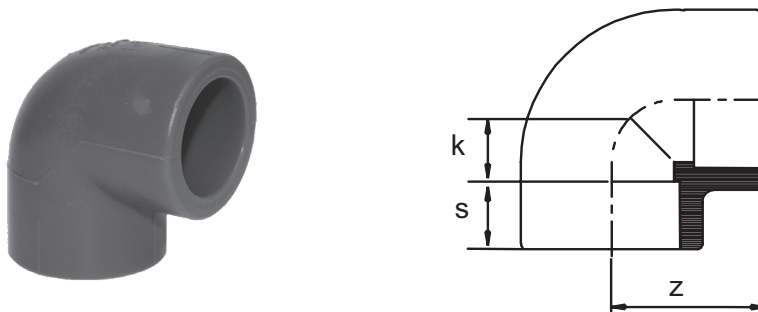
**Joining:** Available methods shall be according to the schedule below  
DVS 2208-1 Socket: 1/2" (20mm) through 4" (110mm)  
DVS 2207-1 Contact Butt: 1/2" (20mm) through max product size



**PIPE\*** 5 meter (16.4') lengths

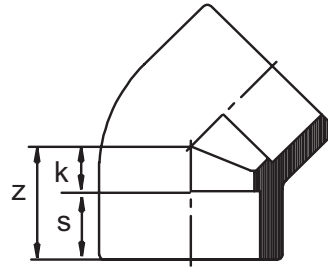
| Size |       | Dimensions |       |                 | SDR 7 / PN 16 / 230 PSI |
|------|-------|------------|-------|-----------------|-------------------------|
| mm   | inch  | OD         | s     | Weight (lb/lth) | Part Number             |
| 20   | 1/2   | 0.79       | 0.110 | 1.76            | 5802005                 |
| 25   | 3/4   | 0.98       | 0.138 | 2.65            | 5802007                 |
| 32   | 1     | 1.26       | 0.173 | 4.30            | 5802010                 |
| 40   | 1-1/4 | 1.57       | 0.217 | 6.72            | 5802012                 |
| 50   | 1-1/2 | 1.97       | 0.272 | 10.47           | 5802015                 |
| 63   | 2     | 2.48       | 0.339 | 16.42           | 5802020                 |
| 90   | 3     | 3.54       | 0.484 | 33.40           | 5802030                 |
| 110  | 4     | 4.33       | 0.594 | 50.04           | 5802040                 |

\*Sold in 5m (16.4') lengths only.  
 Air-Pro® systems 20-110mm are blue. SDR 7.4 and rated at 230psi.  
 Air-Pro® systems 160-315mm are black, SDR 11 and rated at 160psi.



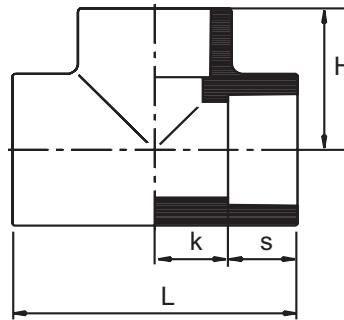
**90 DEGREE ELBOW**

| Size |       | Dimensions |       |       | SDR 7 / PN 16 / 230 PSI |
|------|-------|------------|-------|-------|-------------------------|
| mm   | inch  | Z          | s     | k     | Part Number             |
| 20   | 1/2   | 1.177      | 0.626 | 0.551 | 5805005                 |
| 25   | 3/4   | 1.378      | 0.709 | 0.669 | 5805007                 |
| 32   | 1     | 1.547      | 0.760 | 0.787 | 5805010                 |
| 40   | 1-1/4 | 1.815      | 0.831 | 0.984 | 5805012                 |
| 50   | 1-1/2 | 2.055      | 0.953 | 1.102 | 5805015                 |
| 63   | 2     | 2.421      | 1.043 | 1.378 | 5805020                 |
| 90   | 3     | 3.311      | 1.382 | 1.929 | 5805030                 |
| 110  | 4     | 3.937      | 1.693 | 2.244 | 5805040                 |



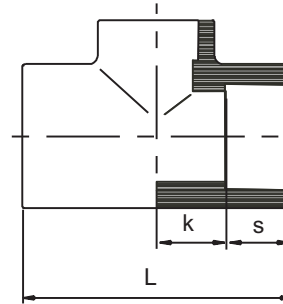
**45 DEGREE ELBOW**

| Size |       | Dimensions |       |       | SDR 7 / PN 16 / 230 PSI |
|------|-------|------------|-------|-------|-------------------------|
| mm   | inch  | Z          | s     | k     | Part Number             |
| 20   | 1/2   | 1.063      | 0.630 | 0.433 | 5808005                 |
| 25   | 3/4   | 1.240      | 0.689 | 0.551 | 5808007                 |
| 32   | 1     | 1.468      | 0.799 | 0.669 | 5808010                 |
| 40   | 1-1/4 | 1.673      | 0.846 | 0.827 | 5808012                 |
| 50   | 1-1/2 | 1.984      | 0.961 | 1.024 | 5808015                 |
| 63   | 2     | 2.402      | 1.102 | 1.299 | 5808020                 |
| 90   | 3     | 3.256      | 1.445 | 1.811 | 5808030                 |
| 110  | 4     | 3.886      | 1.681 | 2.205 | 5808040                 |



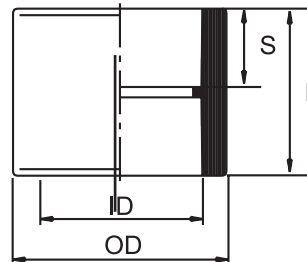
**TEE**

| Size |       | Dimensions |       |       |       | SDR 7 / PN 16 / 230 PSI |
|------|-------|------------|-------|-------|-------|-------------------------|
| mm   | inch  | L          | H     | s     | k     | Part Number             |
| 20   | 1/2   | 2.362      | 1.177 | 0.626 | 0.551 | 5820005                 |
| 25   | 3/4   | 2.756      | 1.378 | 0.748 | 0.630 | 5820007                 |
| 32   | 1     | 3.126      | 1.547 | 0.760 | 0.787 | 5820010                 |
| 40   | 1-1/4 | 3.701      | 1.831 | 0.846 | 0.984 | 5820012                 |
| 50   | 1-1/2 | 4.252      | 2.134 | 0.972 | 1.161 | 5820015                 |
| 63   | 2     | 4.933      | 2.461 | 1.142 | 1.319 | 5820020                 |
| 90   | 3     | 7.268      | 3.594 | 1.488 | 2.106 | 5820030                 |
| 110  | 4     | 8.150      | 4.075 | 1.654 | 2.421 | 5820040                 |



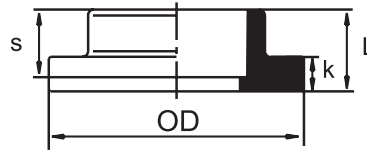
**REDUCING TEE**

| Size    |               | Dimensions |       |       | SDR 7 / PN 16 / 230 PSI |
|---------|---------------|------------|-------|-------|-------------------------|
| mm      | inch          | L          | s     | k     | Part Number             |
| 25 x 20 | 3/4 x 1/2     | 1.496      | 0.618 | 0.878 | 5824101                 |
| 32 x 20 | 1 x 1/2       | 1.732      | 0.614 | 1.118 | 5824130                 |
| 32 x 25 | 1 x 3/4       | 1.732      | 0.697 | 1.035 | 5824131                 |
| 40 x 20 | 1-1/4 x 1/2   | 1.949      | 0.610 | 1.339 | 5824166                 |
| 40 x 25 | 1-1/4 x 3/4   | 1.949      | 0.689 | 1.260 | 5824167                 |
| 40 x 32 | 1-1/4 x 1     | 1.968      | 0.780 | 1.189 | 5824168                 |
| 50 x 20 | 1-1/2 x 1/2   | 2.165      | 0.646 | 1.520 | 5824208                 |
| 50 x 25 | 1-1/2 x 3/4   | 2.138      | 0.697 | 1.441 | 5824210                 |
| 50 x 32 | 1-1/2 x 1     | 2.146      | 0.701 | 1.445 | 5824211                 |
| 50 x 40 | 1-1/2 x 1-1/4 | 2.126      | 1.004 | 1.122 | 5824212                 |
| 63 x 25 | 2 x 3/4       | 2.520      | 0.709 | 1.811 | 5824248                 |
| 63 x 32 | 2 x 1         | 2.520      | 0.787 | 1.732 | 5824249                 |
| 63 x 40 | 2 x 1-1/4     | 2.500      | 0.827 | 1.673 | 5824250                 |
| 63 x 50 | 2 x 1-1/2     | 2.520      | 0.965 | 1.555 | 5824251                 |



**COUPLING**

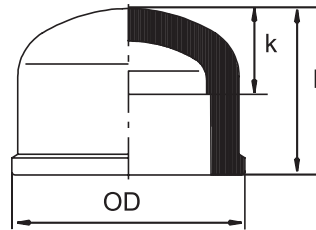
| Size |       | Dimensions |       |       |       | SDR 7 / PN 16 / 230 PSI |
|------|-------|------------|-------|-------|-------|-------------------------|
| mm   | inch  | L          | OD    | ID    | S     | Part Number             |
| 20   | 1/2   | 1.378      | 1.181 | 0.787 | 0.634 | 5816005                 |
| 25   | 3/4   | 1.535      | 1.374 | 0.984 | 0.709 | 5816007                 |
| 32   | 1     | 1.677      | 1.681 | 1.260 | 0.787 | 5816010                 |
| 40   | 1-1/4 | 1.811      | 2.035 | 1.575 | 0.866 | 5816012                 |
| 50   | 1-1/2 | 2.024      | 2.520 | 1.968 | 0.965 | 5816015                 |
| 63   | 2     | 2.335      | 3.169 | 2.480 | 1.110 | 5816020                 |
| 90   | 3     | 3.059      | 4.496 | 3.543 | 1.378 | 5816030                 |
| 110  | 4     | 3.543      | 5.244 | 4.331 | 1.681 | 5816040                 |



**STUB END\* (FLANGE ADAPTER)**

| Size |       | Dimensions |       |       |       | SDR 7 / PN 16 / 230 PSI |
|------|-------|------------|-------|-------|-------|-------------------------|
| mm   | inch  | L          | OD    | s     | k     | Part Number             |
| 20   | 1/2   | 0.827      | 1.772 | 0.630 | 0.382 | 5833005                 |
| 25   | 3/4   | 0.906      | 2.283 | 0.669 | 0.374 | 5833007                 |
| 32   | 1     | 0.984      | 2.677 | 0.748 | 0.382 | 5833010                 |
| 40   | 1-1/4 | 1.043      | 3.071 | 0.866 | 0.433 | 5833012                 |
| 50   | 1-1/2 | 1.181      | 3.465 | 0.941 | 0.472 | 5833015                 |
| 63   | 2     | 1.319      | 4.016 | 1.083 | 0.543 | 5833020                 |
| 90   | 3     | 1.654      | 5.433 | 1.358 | 0.630 | 5833030                 |
| 110  | 4     | 1.890      | 6.220 | 1.614 | 0.736 | 5833040                 |

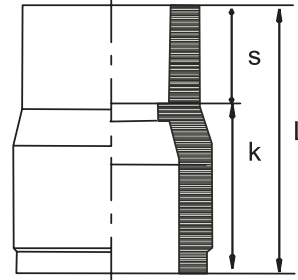
\*Requires backing ring. See page 388.



**END CAP**

| Size |       | Dimensions |       |       | SDR 7 / PN 16 / 230 PSI |
|------|-------|------------|-------|-------|-------------------------|
| mm   | inch  | OD         | L     | k     | Part Number             |
| 20   | 1/2   | 1.280      | 1.063 | 0.445 | 5812005                 |
| 25   | 3/4   | 1.484      | 1.201 | 0.587 | 5812007                 |
| 32   | 1     | 1.831      | 1.358 | 0.661 | 5812010                 |
| 40   | 1-1/4 | 2.283      | 1.496 | 0.886 | 5812012                 |
| 50   | 1-1/2 | 2.756      | 1.850 | 1.161 | 5812015                 |
| 63   | 2     | 3.406      | 2.362 | 1.583 | 5812020                 |
| 90   | 3     | 4.685      | 3.150 | 2.504 | 5812030                 |
| 110  | 4     | 5.512      | 3.701 | 3.004 | 5812040                 |

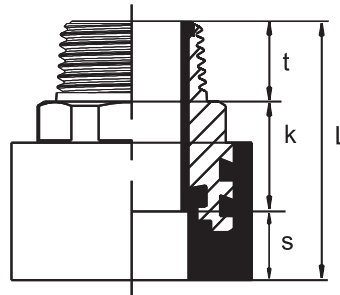




## CONCENTRIC REDUCER

| Size     |               | Dimensions |        |       | SDR 7 / PN 16 / 230 PSI |
|----------|---------------|------------|--------|-------|-------------------------|
| mm       | inch          | L          | s      | k     | Part Number             |
| 25 x 20  | 3/4 x 1/2     | 1.496      | 0.618  | 0.878 | 5829101                 |
| 32 x 20  | 1 x 1/2       | 1.732      | 0.614  | 1.118 | 5829130                 |
| 32 x 25  | 1 x 3/4       | 1.732      | 0.697  | 1.035 | 5829131                 |
| 40 x 20  | 1-1/4 x 1/2   | 1.949      | 0.61   | 1.339 | 5829166                 |
| 40 x 25  | 1-1/4 x 3/4   | 1.949      | 0.689  | 1.260 | 5829167                 |
| 40 x 32  | 1-1/4 x 1     | 1.968      | 0.78   | 1.189 | 5829168                 |
| 50 x 20  | 1-1/2 x 1/2   | 2.165      | 0.646  | 1.52  | 5829208                 |
| 50 x 25  | 1-1/2 x 3/4   | 2.138      | 0.697  | 1.441 | 5829210                 |
| 50 x 32  | 1-1/2 x 1     | 2.146      | 0.701  | 1.445 | 5829211                 |
| 50 x 40  | 1-1/2 x 1-1/4 | 2.126      | 1.004  | 1.122 | 5829212                 |
| 63 x 25  | 2 x 3/4       | 2.520      | 0.709  | 1.811 | 5829248                 |
| 63 x 32  | 2 x 1         | 2.520      | 0.787  | 1.732 | 5829249                 |
| 63 x 40  | 2 x 1-1/4     | 2.500      | 0.827  | 1.673 | 5829250                 |
| 63 x 50  | 2 x 1-1/2     | 2.520      | 0.965  | 1.555 | 5829251                 |
| 90 x 63  | 3 x 2         | 3.366      | 1.1902 | 2.264 | 5829338                 |
| 110 x 63 | 4 x 2         | 3.465      | 1.122  | 2.343 | 5829420                 |
| 110 x 90 | 4 x 3         | 3.445      | 1.476  | 1.968 | 5829422                 |

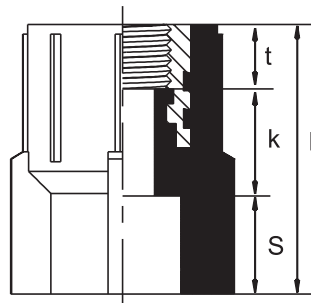
Large dimension is spigot end, small dimension is socket.



**MALE ADAPTER**

| Size |       | Dimensions |       |       |       | SDR 7 / PN 16 / 230 PSI |
|------|-------|------------|-------|-------|-------|-------------------------|
| mm   | inch  | L          | s     | k     | t     | Part Number             |
| 20   | 1/2   | 2.244      | 0.591 | 1.043 | 0.610 | 5859005                 |
| 25   | 3/4   | 2.402      | 0.669 | 1.102 | 0.669 | 5859007                 |
| 32   | 1     | 2.598      | 0.709 | 1.181 | 0.709 | 5859010                 |
| 40   | 1-1/4 | 2.795      | 0.827 | 1.142 | 0.827 | 5859012                 |
| 50   | 1-1/2 | 3.031      | 0.945 | 1.142 | 0.945 | 5859015                 |
| 63   | 2     | 3.268      | 1.083 | 1.102 | 1.083 | 5859020                 |

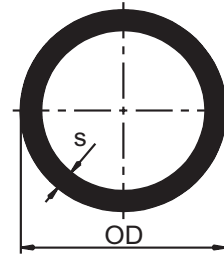
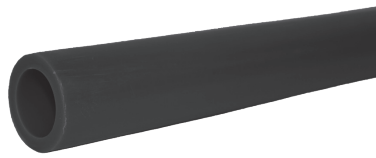
Nickle plated brass threads.



**FEMALE ADAPTER**

| Size |       | Dimensions |      |       |       | SDR 7 / PN 16 / 230 PSI |
|------|-------|------------|------|-------|-------|-------------------------|
| mm   | inch  | L          | S    | k     | t     | Part Number             |
| 20   | 1/2   | 1.598      | 0.62 | 0.386 | 0.591 | 5853005                 |
| 25   | 3/4   | 1.606      | 0.62 | 0.386 | 0.709 | 5853007                 |
| 32   | 1     | 1.850      | 0.71 | 0.386 | 0.787 | 5853010                 |
| 40   | 1-1/4 | 1.949      | 0.79 | 0.386 | 0.827 | 5853012                 |
| 50   | 1-1/2 | 2.268      | 0.91 | 0.386 | 1.004 | 5853015                 |
| 63   | 2     | 2.567      | 1.04 | 0.386 | 1.142 | 5853020                 |

Nickel-plated brass threads

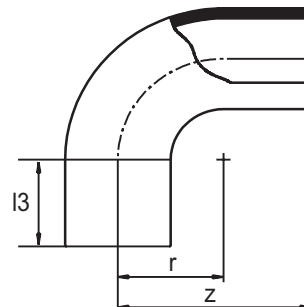


**PIPE\*** 5 meter (16.4') lengths

| Size |      | Dimensions |       |                | SDR 11 / PN 10 / 150 PSI |
|------|------|------------|-------|----------------|--------------------------|
| mm   | inch | OD         | s     | Weight (lb/ft) | Part Number              |
| 160  | 6    | 6.30       | 0.575 | 4.48           | 5803060                  |
| 200  | 8    | 7.87       | 0.717 | 6.99           | 5803080                  |
| 250  | 10   | 9.84       | 0.894 | 10.89          | 5803100                  |
| 315  | 12   | 12.40      | 1.126 | 17.21          | 5803120                  |

\*Sold in 5m (16.4') lengths only.

Air-Pro® systems 160-315mm are black, SDR 11 and rated at 160psi.



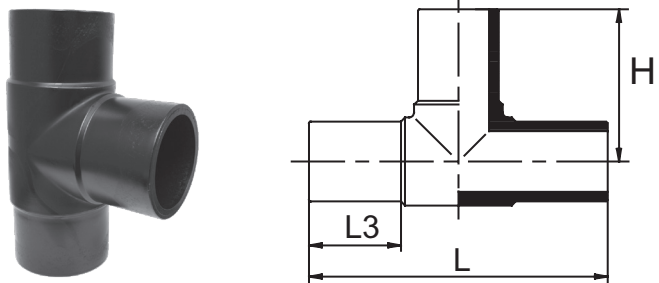
**90 DEGREE ELBOW**

| Size |      | Dimensions |        |       | SDR 11 / PN 10 / 150 PSI |
|------|------|------------|--------|-------|--------------------------|
| mm   | inch | z          | r      | I3    | Part Number              |
| 160  | 6    | 12.638     | 6.535  | 6.102 | 5811060                  |
| 200  | 8    | 14.882     | 8.189  | 6.693 | 5811080                  |
| 250  | 10   | 17.323     | 10.039 | 7.677 | 5811100                  |
| 315  | 12   | 21.260     | 12.480 | 8.661 | 5811120                  |



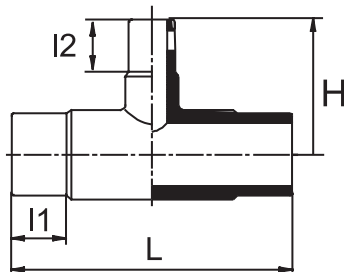
**45 DEGREE ELBOW**

| Size |      | Dimensions |       | SDR 11 / PN 10 / 150 PSI |
|------|------|------------|-------|--------------------------|
| mm   | inch | z          | L     | Part Number              |
| 160  | 6    | 6.161      | 4.587 | 5809060                  |
| 200  | 8    | 6.772      | 4.803 | 5809080                  |
| 250  | 10   | 8.543      | 6.220 | 5809100                  |
| 315  | 12   | 9.882      | 6.968 | 5809120                  |



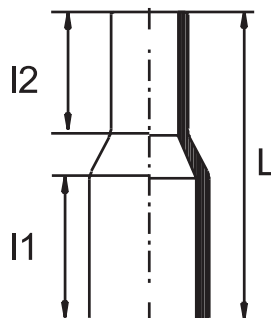
**TEE**

| Size |      | Dimensions |        |       | SDR 11 / PN 10 / 150 PSI |
|------|------|------------|--------|-------|--------------------------|
| mm   | inch | L          | H      | L3    | Part Number              |
| 160  | 6    | 16.063     | 7.972  | 3.937 | 5823060                  |
| 200  | 8    | 21.653     | 10.827 | 5.315 | 5823080                  |
| 250  | 10   | 24.488     | 12.205 | 5.827 | 5823100                  |
| 315  | 12   | 29.646     | 14.764 | 6.693 | 5823120                  |



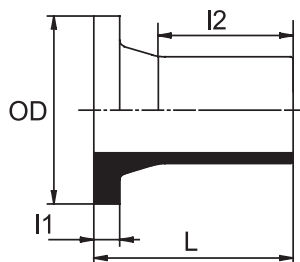
**REDUCING TEE**

| Size      |         | Dimensions |        |       |       | SDR 11 / PN 10 / 150 PSI |
|-----------|---------|------------|--------|-------|-------|--------------------------|
| mm        | inch    | L          | H      | I1    | I2    | Part Number              |
| 160 x 63  | 6 x 2   | 13.396     | 6.752  | 3.917 | 2.598 | 5825530                  |
| 160 x 90  | 6 x 3   | 13.504     | 6.968  | 3.976 | 3.150 | 5825531                  |
| 160 x 110 | 6 x 4   | 11.417     | 7.618  | 3.858 | 3.268 | 5825532                  |
| 200 x 110 | 8 x 4   | 21.653     | 9.449  | 5.276 | 4.055 | 5825583                  |
| 200 x 160 | 8 x 6   | 21.653     | 10.433 | 5.276 | 4.488 | 5825585                  |
| 250 x 110 | 10 x 4  | 24.803     | 9.764  | 5.827 | 3.386 | 5825626                  |
| 250 x 160 | 10 x 6  | 24.803     | 10.551 | 5.827 | 3.937 | 5825627                  |
| 250 x 200 | 10 x 8  | 24.803     | 11.417 | 5.827 | 4.567 | 5825628                  |
| 315 x 110 | 12 x 4  | 21.496     | 11.417 | 6.693 | 3.937 | 5825628                  |
| 315 x 200 | 12 x 8  | 22.638     | 12.205 | 6.693 | 4.724 | 5825660                  |
| 315 x 250 | 12 x 10 | 26.378     | 13.110 | 6.693 | 5.905 | 5825673                  |



**CONCENTRIC REDUCER**

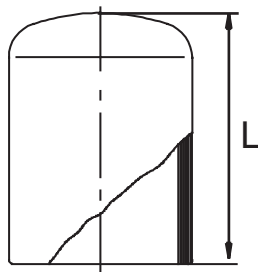
| Size      |         | Dimensions |       |       | SDR 11 / PN 10 / 150 PSI |
|-----------|---------|------------|-------|-------|--------------------------|
| mm        | inch    | L          | I1    | I2    | Part Number              |
| 160 x 110 | 6 x 4   | 8.740      | 3.858 | 3.465 | 5831532                  |
| 200 x 110 | 8 x 6   | 9.921      | 4.409 | 4.016 | 5831585                  |
| 200 x 160 | 10 x 6  | 12.362     | 6.102 | 4.449 | 5831627                  |
| 315 x 110 | 10 x 8  | 12.362     | 6.102 | 4.921 | 5831628                  |
| 315 x 200 | 12 x 8  | 14.764     | 7.047 | 5.236 | 5831660                  |
| 315 x 250 | 12 x 10 | 14.764     | 6.693 | 6.102 | 5831673                  |



**STUB END\* (FLANGE ADAPTER)**

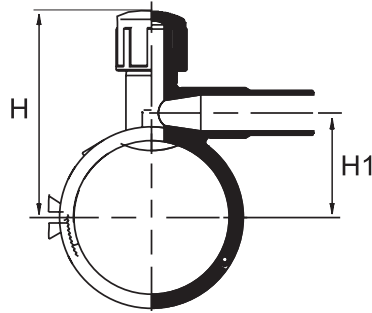
| Size |      | Dimensions |        |       |        | SDR 11 / PN 10 / 150 PSI |
|------|------|------------|--------|-------|--------|--------------------------|
| mm   | inch | OD         | L      | I1    | I2     | Part Number              |
| 160  | 6    | 8.346      | 7.146  | 0.984 | 4.980  | 5832060                  |
| 200  | 8    | 10.551     | 7.146  | 1.260 | 4.626  | 5832080                  |
| 250  | 10   | 12.598     | 10.827 | 1.378 | 7.953  | 5832010                  |
| 315  | 12   | 14.567     | 15.039 | 1.378 | 11.890 | 5832120                  |

\*Requires backing ring. See page 388.



**ELONGATED END CAP**

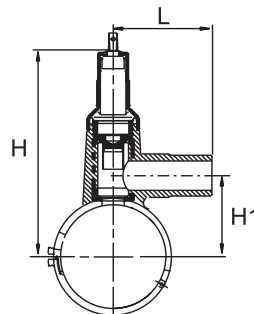
| Size |      | Dimensions | SDR 11 / PN 10 / 150 PSI |
|------|------|------------|--------------------------|
| mm   | inch | L          | Part Number              |
| 160  | 6    | 6.594      | 5813060                  |
| 200  | 8    | 7.146      | 5813080                  |
| 250  | 10   | 9.055      | 5813010                  |
| 315  | 12   | 10.315     | 5813120                  |



**ELECTROFUSION TAPPING SADDLE**

| Size     |       | Dimensions |       | SDR 11 / PN 10 / 150 PSI |
|----------|-------|------------|-------|--------------------------|
| mm       | inch  | H          | H1    | Part Number              |
| 63 x 32  | 2 x 1 | 5.039      | 2.165 | 5839249                  |
| 90 x 32  | 3 x 1 | 5.433      | 2.559 | 5839336                  |
| 90 x 63  | 3 x 2 | 6.142      | 2.559 | 5839338                  |
| 110 x 32 | 4 x 1 | 6.024      | 3.150 | 5839401                  |
| 110 x 63 | 4 x 2 | 6.732      | 3.150 | 5839420                  |
| 160 x 32 | 6 x 1 | 7.717      | 4.134 | 5839516                  |
| 160 x 63 | 6 x 2 | 7.717      | 4.134 | 5839530                  |

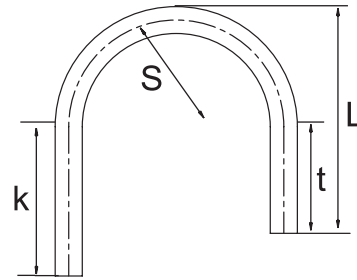
Air-Pro® pipe electrofusion saddles are rated at 150psi.  
Requires use of Polymatic electrofusion welding machine.



**TAPPING SADDLE WITH VALVE**

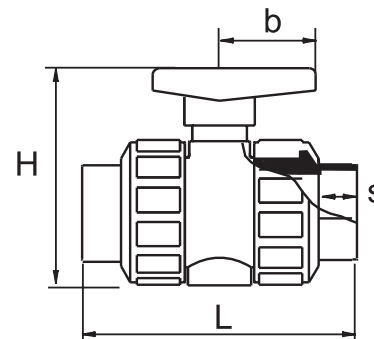
| Size     |       | Dimensions |        |       | SDR 11 / PN 10 / 150 P |
|----------|-------|------------|--------|-------|------------------------|
| mm       | inch  | L          | H      | H1    | Part Number            |
| 63 x 32  | 2 x 1 | 4.528      | 8.150  | 2.165 | 5838249                |
| 90 x 32  | 3 x 1 | 4.528      | 8.543  | 2.559 | 5838336                |
| 110 x 63 | 4 x 2 | 5.905      | 11.811 | 3.937 | 5838420                |
| 160 x 63 | 6 x 2 | 5.905      | 12.795 | 4.921 | 5838530                |
| 200 x 63 | 8 x 2 | 5.905      | 13.583 | 5.709 | 5838581                |

Air-Pro® pipe electrofusion saddles are rated at 150psi.  
Requires use of Polymatic electrofusion welding machine.



**SPIGOT GOOSENECK FAUCET**

| Size |      | Dimensions |   |   |   | SDR 7 / PN 16 / 230 PSI |
|------|------|------------|---|---|---|-------------------------|
| mm   | inch | L          | S | k | t | Part Number             |
| 20   | 1/2  | 10         | 5 | 7 | 5 | 5835005                 |
| 25   | 3/4  | 9          | 5 | 7 | 4 | 5835007                 |
| 32   | 1    | 10         | 5 | 7 | 5 | 5835010                 |

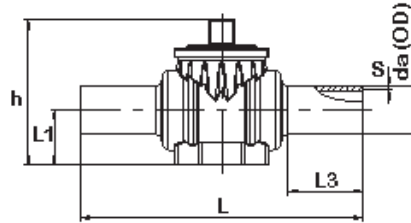


**BALL VALVE**

| Size |       | Dimensions |       |       |       | SDR 7 / PN 16 / 230 PSI |
|------|-------|------------|-------|-------|-------|-------------------------|
| mm   | inch  | L          | H     | b     | S     | Part Number             |
| 20   | 1/2   | 3.787      | 1.890 | 1.673 | 0.571 | 5801005                 |
| 25   | 3/4   | 4.370      | 2.126 | 2.165 | 0.630 | 5801007                 |
| 32   | 1     | 4.724      | 2.244 | 2.165 | 0.709 | 5801010                 |
| 40   | 1-1/4 | 5.433      | 3.031 | 2.559 | 0.807 | 5801012                 |
| 50   | 1-1/2 | 6.339      | 3.465 | 2.953 | 1.071 | 5801015                 |
| 63   | 2     | 7.480      | 3.760 | 3.425 | 1.457 | 5801020                 |

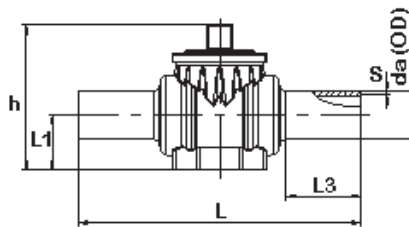
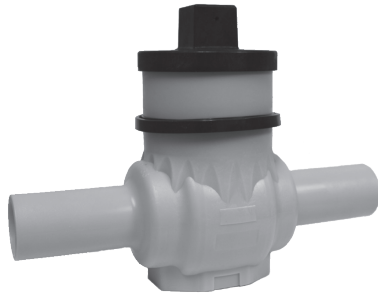
Air-Pro® ball valves sizes 20-63mm are rated 230psi.





**PE BALL VALVE WITHOUT GEAR**

| Size |       | Dimensions |      |      |       |       | SDR 11 / PN 10 / 160 PSI |  |
|------|-------|------------|------|------|-------|-------|--------------------------|--|
| mm   | inch  | L          | L1   | L3   | h     | S     | Part Number              |  |
| 32   | 1     | 11.26      | 1.81 | 3.15 | 5.91  | 0.118 | 5881010                  |  |
| 50   | 1-1/2 | 12.91      | 2.45 | 3.74 | 7.87  | 0.181 | 5881015                  |  |
| 63   | 2     | 16.14      | 3.03 | 4.53 | 8.86  | 0.228 | 5881020                  |  |
| 90   | 3     | 20.51      | 3.94 | 5.32 | 10.83 | 0.323 | 5881030                  |  |
| 110  | 4     | 23.43      | 4.80 | 5.91 | 12.28 | 0.394 | 5881040                  |  |



**PE BALL VALVE WITH GEAR\***

| Size |      | Dimensions |      |      |       |       | SDR 11 / PN 10 / 160 PSI |  |
|------|------|------------|------|------|-------|-------|--------------------------|--|
| mm   | inch | L          | L1   | L3   | h     | S     | Part Number              |  |
| 63   | 2    | 16.14      | 3.03 | 4.53 | 8.86  | 0.228 | 5884020                  |  |
| 90   | 3    | 20.51      | 3.94 | 5.32 | 10.83 | 0.323 | 5884030                  |  |
| 110  | 4    | 23.43      | 4.80 | 5.91 | 12.28 | 0.394 | 5884040                  |  |
| 160  | 6    | 33.35      | 6.50 | 8.86 | 19.61 | 0.575 | 5884060                  |  |

# ProVent®

## System Benefits

Lightweight materials

- Corrosion resistant
- Chemically inert
- Quick installation
- Multiple installation methods
  - Butt fusion
  - Slip socket with extrusion weld

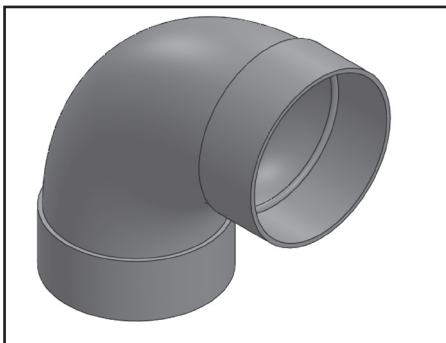
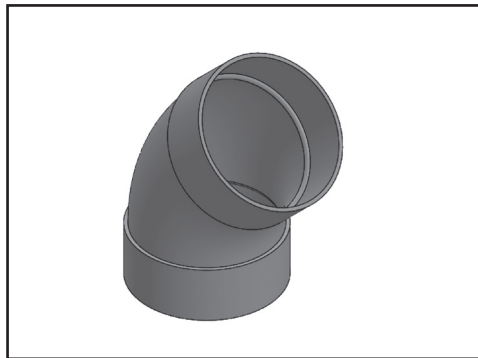
## Ideal Applications

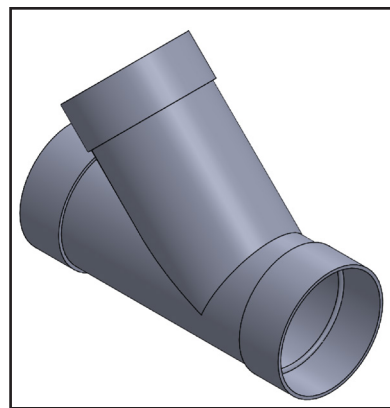
- University laboratories
- Semiconductor manufacturing

## Product Range

- Extruded pipe
- Molded bell fittings
- Molded valves and dampers
- Transition fittings

Contact Asahi/America (800) 343-3618  
to get a copy of the complete ProVent® list price book and  
dimensional guide.





| Ventilation & Exhaust Systems |                     |
|-------------------------------|---------------------|
| PP                            | 110-1400mm (6"-54") |
| PPs                           | 160-1200mm (6"-48") |
| PPs-el                        | 110-400mm (4-16")   |
| PE                            | 110-1400mm (6"-54") |
| PVDF                          | 110-400mm (4-16")   |

**Material Properties**

|   |            |                                    | PP                | PPs               | PPs-el           | PE                | PVDF              |
|---|------------|------------------------------------|-------------------|-------------------|------------------|-------------------|-------------------|
| Specific density at 23°C                | ISO 1183   | g/cm <sup>3</sup>                  | 0.91              | 0.93              | 1.13             | 0.96              | 1.78              |
| MFR 190/5                               | ISO 1133   | g/10min                            | 0.5               | 0.8               |                  | 0.9               | 6                 |
| MFR 190/2.16                            |            |                                    |                   |                   | 0.6              | <0.10             |                   |
| Tensile stress at yield                 | ISO 527    | MPa                                | 30                | 30                | 30               | 25                | 50                |
| Elongation at yield                     | ISO 527    | %                                  | 10                | 10                | 10               | 9                 | 9                 |
| Elongation at break                     | ISO 527    | %                                  | >300              | >50               | 43               | >600              | 80                |
| Impact strength notched at +23°C        | ISO 179    | kJ/m <sup>2</sup>                  | 8                 | 9                 | 9.5              | 16                | 11                |
| Impact strength notched at 0°C          |            |                                    | 2.8               | 2.8               | n/a              | n/a               |                   |
| Impact strength notched at -30°C        |            |                                    | 2.2               | 2.2               | 2.3              | 6                 |                   |
| Modulus of elasticity                   | ISO 527    | MPa                                | 1300              | 1300              | n/a              | 1100              | 2000              |
| Vicat-Softening point VST/B/50          | ISO 306    | °C                                 | 91                | 85                | 133              | 77                | 140               |
| Heat deflection temperature HDT/B       | ISO 75     | °C                                 | 96                | 85                | 47               | 75                | 145               |
| Linear coefficient of thermal expansion | DIN 53752  | K <sup>-1</sup> x 10 <sup>-4</sup> | 1.6               | 1.6               | n/a              | 1.8               | 1.2               |
| Thermal conductivity at 20 °C           | DIN 52612  | W/(m x K)                          | 0.22              | 0,2               | n/a              | 0.4               | 0.2               |
| Flammability                            | UL94       | --                                 | 94-HB             | V-2               | V-0              | 94-HB             | V-0               |
|   | DIN 4102   | --                                 | B2                | B1                |                  | B2                |                   |
| Specific volume resistance              | VDE 0303   | OHM cm                             | >10 <sup>16</sup> | >10 <sup>15</sup> | >10 <sup>8</sup> | >10 <sup>16</sup> | >10 <sup>13</sup> |
| Specific surface resistance             | VDE 0303   | OHM                                | >10 <sup>13</sup> | >10 <sup>15</sup> | >10 <sup>6</sup> | >10 <sup>13</sup> | >10 <sup>12</sup> |
| Physiologically non-toxic               | EEC 90/128 | --                                 | Yes               | Yes               | No               | Yes               | Yes               |
| FDA                                     | --         | --                                 | Yes               | No                | No               | Yes               | Yes               |
| UV stabilized                           | --         | --                                 | No                | No                | Yes              | Yes               | Yes               |
| Color                                   | --         | --                                 | Grey              | Grey              | Black            | Black             | Natural           |



Please see our ProVent® list price book for our complete offering of fittings and accessories.



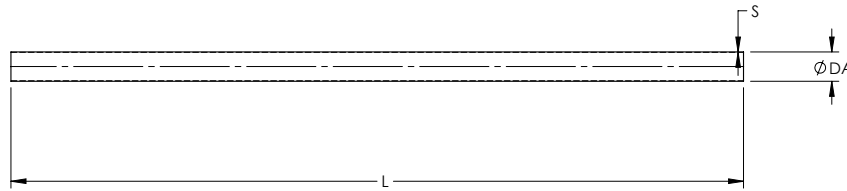
**PIPE\*** 5 meter (16.4') lengths

| in    | mm   | PP          | PPs         | PPsEI       | PE          | PVDF        |
|-------|------|-------------|-------------|-------------|-------------|-------------|
|       |      | Part Number | Part Number | Part Number | Part Number | Part Number |
| 2     | 63   | 1277010002  | 1777010002  | -           | -           | 3077010002  |
| 2-1/2 | 75   | -           | -           | -           | -           | 3077010025  |
| 3     | 90   | 1277010003  | 1777010003  | 1977010003  | 2577010003  | 3077010003  |
| 4     | 110  | 1277010004  | 1777010004  | 1977010004  | 2577010004  | 3077010004  |
| 5     | 140  | 1277010005  | 1777010005  | -           | 2577010005  | -           |
| 6     | 160  | 1277010006  | 1777010006  | 1977010006  | 2577010006  | 3077010006  |
| 7     | 180  | 1277010007  | 1777010007  | 1977010007  | 2577010007  | -           |
| 8     | 200  | 1277010008  | 1777010008  | 1977010008  | 2577010008  | 3077010008  |
| 9     | 225  | 1277010009  | 1777010009  | 1977010009  | 2577010009  | -           |
| 10    | 250  | 1277010010  | 1777010010  | 1977010010  | 2577010010  | 3077010010  |
| 11    | 280  | 1277010011  | 1777010011  | -           | 2577010011  | -           |
| 12    | 315  | 1277010012  | 1777010012  | 1977010012  | 2577010012  | 3077010012  |
| 14    | 355  | 1277010014  | 1777010014  | 1977010014  | 2577010014  | 3077010014  |
| 16    | 400  | 1277010016  | 1777010016  | 1977010016  | 2577010016  | 3077010016  |
| 18    | 450  | 1277010018  | 1777010018  | -           | 2577010018  | -           |
| 20    | 500  | 1277010020  | 1777010020  | -           | 2577010020  | -           |
| 22    | 560  | 1277010022  | 1777010022  | -           | 2577010022  | -           |
| 24    | 630  | 1277010024  | 1777010024  | -           | 2577010024  | -           |
| 28    | 710  | 1277010028  | 1777010028  | -           | 2577010028  | -           |
| 32    | 800  | 1277010032  | 1777010032  | -           | 2577010032  | -           |
| 36    | 900  | 1277010036  | 1777010036  | -           | 2577010036  | -           |
| 40    | 1000 | 1277010040  | 1777010040  | -           | 2577010040  | -           |
| 48    | 1200 | 1277010048  | 1777010048  | -           | 2577010048  | -           |

\*Sold in 5m (16.4') lengths only.

Diameter is metric, inch size provided as nominal only.

Please see our ProVent® list price book for our complete offering of fittings and accessories.

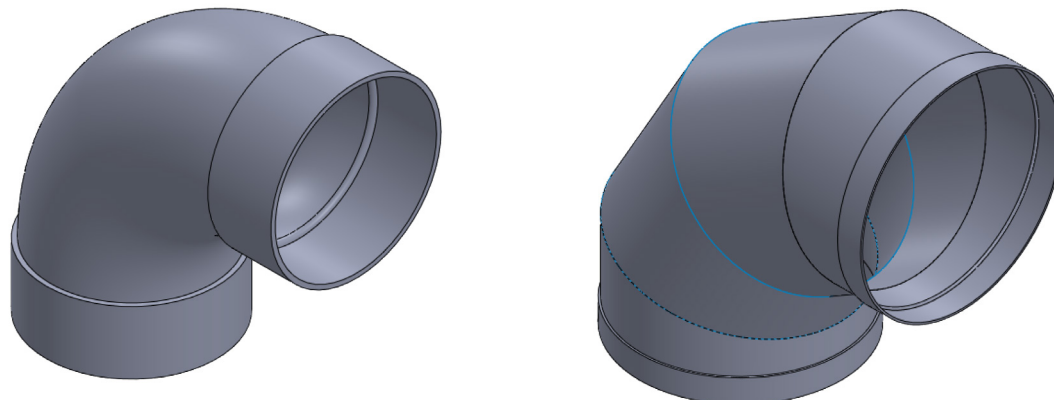

**PIPE\*** 5 meter (16.4') lengths

| DA   | PP-KG  | PPs-KG | PPsEL-KG | PE-KG  | PVDF-KG | NOM in | DA in | PP Lbs | PPs Lbs | PPsEI Lbs | PE Lbs | PVDF Lbs |
|------|--------|--------|----------|--------|---------|--------|-------|--------|---------|-----------|--------|----------|
| 63   | 1.90   | 1.95   | -        | -      | 3.75    | 2      | 2.48  | 4.18   | 4.29    | -         | -      | 8.25     |
| 75   | 2.60   | 2.25   | -        | -      | 5.55    | 2-1/2  | 2.95  | 5.72   | 4.95    | -         | -      | 12.21    |
| 90   | 3.80   | 3.10   | 4.70     | 4.00   | 7.40    | 3      | 3.54  | 8.36   | 6.82    | 10.34     | 8.80   | 16.28    |
| 110  | 4.50   | 4.60   | 6.15     | 4.75   | 9.70    | 4      | 4.33  | 9.90   | 10.12   | 13.53     | 10.45  | 21.34    |
| 140  | 7.40   | 6.60   | 0.00     | 7.80   | 12.45   | 5      | 5.51  | 16.28  | 14.52   | -         | 17.16  | -        |
| 160  | 9.55   | 7.65   | 9.05     | 10.10  | 14.30   | 6      | 6.30  | 21.01  | 16.83   | 19.91     | 22.22  | 31.46    |
| 180  | 11.80  | 8.55   | 10.20    | 12.40  | -       | 7      | 7.09  | 25.96  | 18.81   | 22.44     | 27.28  | -        |
| 200  | 9.15   | 9.50   | 11.35    | 15.40  | 17.90   | 8      | 7.87  | 20.13  | 20.90   | 24.97     | 33.88  | 39.38    |
| 225  | 18.50  | 12.35  | 14.90    | 19.50  | -       | 9      | 8.86  | 40.70  | 27.17   | 32.78     | 42.90  | -        |
| 250  | 13.30  | 13.75  | 16.60    | 24.20  | 22.40   | 10     | 9.84  | 29.26  | 30.25   | 36.52     | 53.24  | 49.28    |
| 280  | 28.65  | 17.40  | 0.00     | 30.20  | -       | 11     | 11.02 | 63.03  | 38.28   | -         | 66.44  | -        |
| 315  | 23.70  | 24.55  | 29.40    | 37.95  | 37.35   | 12     | 12.40 | 52.14  | 54.01   | 64.68     | 83.49  | 82.17    |
| 355  | 31.95  | 27.70  | 33.20    | 48.25  | 46.70   | 14     | 13.98 | 70.29  | 60.94   | 73.04     | 106.15 | 102.74   |
| 400  | 36.00  | 36.95  | 44.70    | 50.20  | 59.05   | 16     | 15.75 | 79.20  | 81.29   | 98.34     | 110.44 | 129.91   |
| 450  | 40.50  | 41.65  | -        | 56.50  | -       | 18     | 17.72 | 89.10  | 91.63   | -         | 124.30 | -        |
| 500  | 59.50  | 61.50  | -        | 63.00  | -       | 20     | 19.69 | 130.90 | 135.30  | -         | 138.60 | -        |
| 560  | 67.05  | 69.00  | -        | 88.00  | -       | 22     | 22.05 | 147.51 | 151.80  | -         | 193.60 | -        |
| 630  | 94.00  | 96.50  | -        | 99.00  | -       | 24     | 24.80 | 206.80 | 212.30  | -         | 217.80 | -        |
| 710  | 126.50 | 130.00 | -        | 133.50 | -       | 28     | 27.95 | 278.30 | 286.00  | -         | 293.70 | -        |
| 800  | 143.00 | 146.50 | -        | 151.00 | -       | 32     | 31.50 | 314.60 | 322.30  | -         | 332.20 | -        |
| 900  | 200.50 | 206.00 | -        | 211.50 | -       | 36     | 35.43 | 441.10 | 453.20  | -         | 465.30 | -        |
| 1000 | 223.00 | 229.50 | -        | 235.00 | -       | 40     | 39.37 | 490.60 | 504.90  | -         | 517.00 | -        |
| 1200 | 320.50 | 329.00 | -        | 338.50 | -       | 48     | 47.24 | 705.10 | 723.80  | -         | 744.70 | -        |

\*Sold in 5m (16.4') lengths only. Weight per length.  
Diameter is metric, inch size provided as nominal only.

Please see our ProVent® list price book for our complete offering of fittings and accessories.

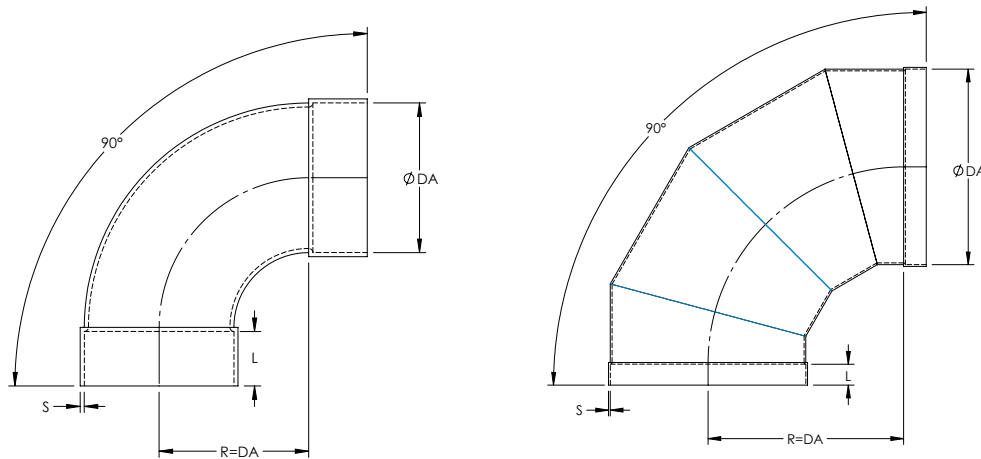
ProVent®  
System



### 90 DEGREE ELBOW

| Size  |      | PP          | PPs         | PPsEI       | PE          | PVDF        |
|-------|------|-------------|-------------|-------------|-------------|-------------|
| in    | mm   | Part Number | Part Number | Part Number | Part Number | Part Number |
| 2     | 63   | 1277020002  | 1777020002  | 1977020002  | 2577020002  | -           |
| 2-1/2 | 75   | -           | -           | -           | -           | 3077020025  |
| 3     | 90   | 1277020003  | 1777020003  | 1977020003  | 2577020003  | -           |
| 4     | 110  | 1277020004  | 1777020004  | 1977020004  | 2577020004  | 3077020004  |
| 5     | 140  | 1277020005  | 1777020005  | 1977020005  | 2577020005  | -           |
| 6     | 160  | 1277020006  | 1777020006  | 1977020006  | 2577020006  | 3077020006  |
| 7     | 180  | 1277020007  | 1777020007  | 1977020007  | 2577020007  | -           |
| 8     | 200  | 1277020008  | 1777020008  | 1977020008  | 2577020008  | 3077020008  |
| 9     | 225  | 1277020009  | 1777020009  | 1977020009  | 2577020009  | -           |
| 10    | 250  | 1277020010  | 1777020010  | 1977020010  | 2577020010  | 3077020010  |
| 11    | 280  | 1277020011  | 1777020011  | 1977020011  | 2577020011  | -           |
| 12    | 315  | 1277020012  | 1777020012  | 1977020012  | 2577020012  | 3077020012  |
| 14    | 355  | 1277020014  | 1777020014  | 1977020014  | 2577020014  | -           |
| 16    | 400  | 1277020016  | 1777020016  | 1977020016  | 2577020016  | 3077020016  |
| 18    | 450  | 1277020018  | 1777020018  | 1977020018  | 2577020018  | -           |
| 20    | 500  | 1277020020  | 1777020020  | 1977020020  | 2577020020  | -           |
| 22    | 560  | 1277020022  | 1777020022  | 1977020022  | 2577020022  | -           |
| 24    | 630  | 1277020024  | 1777020024  | 1977020024  | 2577020024  | -           |
| 28    | 710  | 1277020028  | 1777020028  | 1977020028  | 2577020028  | -           |
| 32    | 800  | 1277020032  | 1777020032  | 1977020032  | 2577020032  | -           |
| 36    | 900  | 1277020036  | 1777020036  | -           | 2577020036  | -           |
| 40    | 1000 | 1277020040  | 1777020040  | -           | 2577020040  | -           |
| 48    | 1200 | 1277020048  | 1777020048  | -           | 2577020048  | -           |

Please see our ProVent® list price book for our complete offering of fittings and accessories.



**90 DEGREE ELBOW\***

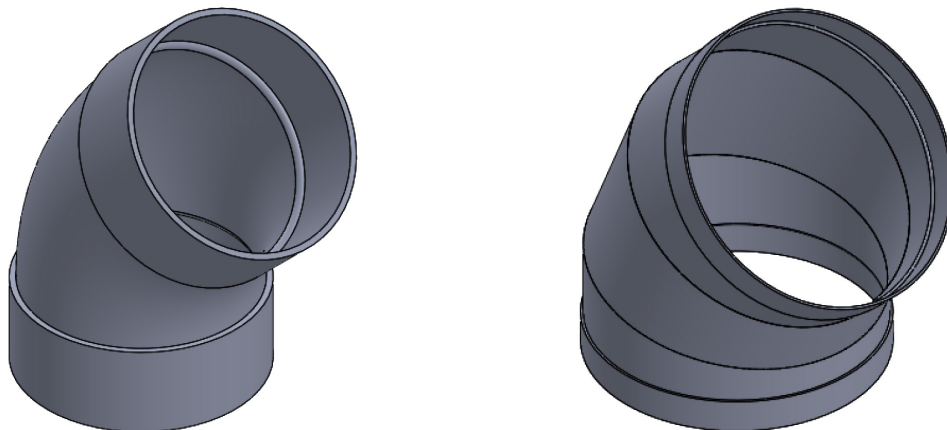
| Dimensions |     |     |     |         |       |      |       |
|------------|-----|-----|-----|---------|-------|------|-------|
| DA mm      | L   | TOL | S   | Nom In. | DA    | L    | S     |
| 63         | 25  | 0.7 | 3   | 2       | 2.48  | 0.98 | 0.118 |
| 75         | 40  | 0.7 | 3   | 2 1/2   | 2.95  | 1.57 | 0.118 |
| 90         | 40  | 0.9 | 3   | 3       | 3.54  | 1.57 | 0.118 |
| 110        | 40  | 1   | 3   | 4       | 4.33  | 1.57 | 0.118 |
| 140        | 40  | 1.3 | 3   | 5       | 5.51  | 1.57 | 0.118 |
| 160        | 40  | 1.5 | 3   | 6       | 6.30  | 1.57 | 0.118 |
| 180        | 40  | 1.7 | 3   | 7       | 7.09  | 1.57 | 0.118 |
| 200        | 40  | 1.8 | 3   | 8       | 7.87  | 1.57 | 0.118 |
| 225        | 40  | 1.9 | 3.5 | 9       | 8.86  | 1.57 | 0.138 |
| 250        | 40  | 2   | 3.5 | 10      | 9.84  | 1.57 | 0.138 |
| 280        | 50  | 2.2 | 3.5 | 11      | 11.02 | 1.97 | 0.138 |
| 315        | 50  | 2.4 | 4   | 12      | 12.40 | 1.97 | 0.157 |
| 355        | 50  | 2.7 | 4   | 14      | 13.98 | 1.97 | 0.157 |
| 400        | 50  | 3   | 4.5 | 16      | 15.75 | 1.97 | 0.177 |
| 450        | 50  | 3.5 | 5   | 18      | 17.72 | 1.97 | 0.197 |
| 500        | 50  | 4   | 5   | 20      | 19.69 | 1.97 | 0.197 |
| 560        | 60  | 4.5 | 5   | 22      | 22.05 | 2.36 | 0.197 |
| 630        | 70  | 4.5 | 6   | 24      | 24.80 | 2.76 | 0.236 |
| 710        | 80  | 4.5 | 6   | 28      | 27.95 | 3.15 | 0.236 |
| 800        | 80  | 4.5 | 8   | 32      | 31.50 | 3.15 | 0.315 |
| 900        | 90  | 4.5 | 8   | 36      | 35.43 | 3.54 | 0.315 |
| 1000       | 100 | 5   | 10  | 40      | 39.37 | 3.94 | 0.394 |
| 1200       | 120 | 5   | 12  | 48      | 47.24 | 4.72 | 0.472 |

\*PPsEl and PVDF >16" (400mm) and PP, PPs, and PE >20" (500mm) are segmented style



Please see our ProVent® list price book for our complete offering of fittings and accessories.

ProVent®  
System

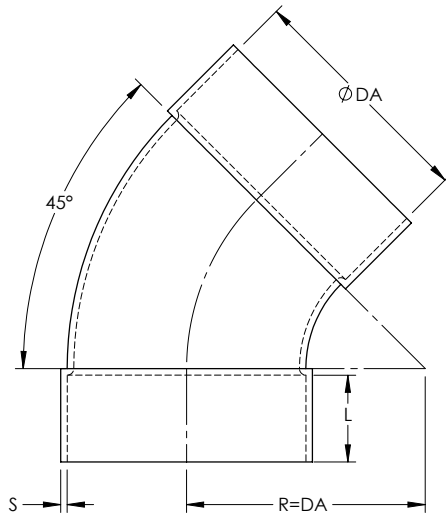


### 45 DEGREE ELBOW

| Size  |      | PP          | PPs         | PPsEI       | PE          | PVDF        |
|-------|------|-------------|-------------|-------------|-------------|-------------|
| in    | mm   | Part Number | Part Number | Part Number | Part Number | Part Number |
| 2     | 63   | 1277050002  | 1777050002  | 1977050002  | 2577050002  | -           |
| 2-1/2 | 75   | -           | -           | -           | -           | 3077050025  |
| 3     | 90   | 1277050003  | 1777050003  | 1977050003  | 2577050003  | -           |
| 4     | 110  | 1277050004  | 1777050004  | 1977050004  | 2577050004  | 3077050004  |
| 5     | 140  | 1277050005  | 1777050005  | 1977050005  | 2577050005  | -           |
| 6     | 160  | 1277050006  | 1777050006  | 1977050006  | 2577050006  | 3077050006  |
| 7     | 180  | 1277050007  | 1777050007  | 1977050007  | 2577050007  | -           |
| 8     | 200  | 1277050008  | 1777050008  | 1977050008  | 2577050008  | 3077050008  |
| 9     | 225  | 1277050009  | 1777050009  | 1977050009  | 2577050009  | -           |
| 10    | 250  | 1277050010  | 1777050010  | 1977050010  | 2577050010  | 3077050010  |
| 11    | 280  | 1277050011  | 1777050011  | 1977050011  | 2577050011  | -           |
| 12    | 315  | 1277050012  | 1777050012  | 1977050012  | 2577050012  | 3077050012  |
| 14    | 355  | 1277050014  | 1777050014  | 1977050014  | 2577050014  | -           |
| 16    | 400  | 1277050016  | 1777050016  | 1977050016  | 2577050016  | 3077050016  |
| 18    | 450  | 1277050018  | 1777050018  | 1977050018  | 2577050018  | -           |
| 20    | 500  | 1277050020  | 1777050020  | 1977050020  | 2577050020  | -           |
| 22    | 560  | 1277050022  | 1777050022  | 1977050022  | 2577050022  | -           |
| 24    | 630  | 1277050024  | 1777050024  | 1977050024  | 2577050024  | -           |
| 28    | 710  | 1277050028  | 1777050028  | 1977050028  | 2577050028  | -           |
| 32    | 800  | 1277050032  | 1777050032  | 1977050032  | 2577050032  | -           |
| 36    | 900  | 1277050036  | 1777050036  | -           | 2577050036  | -           |
| 40    | 1000 | 1277050040  | 1777050040  | -           | 2577050040  | -           |
| 48    | 1200 | 1277050048  | 1777050048  | -           | 2577050048  | -           |



Please see our ProVent® list price book for our complete offering of fittings and accessories.



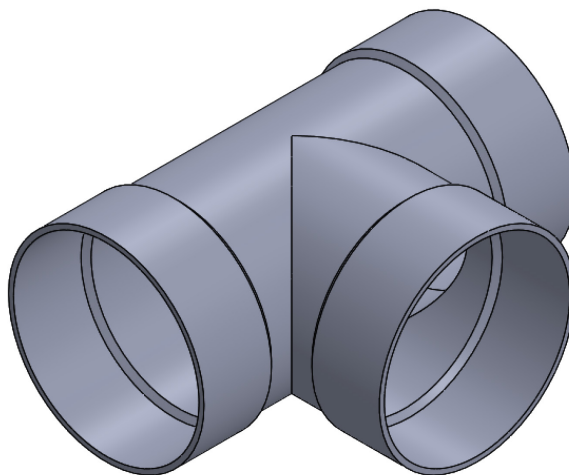
**45 DEGREE ELBOW\***

| Dimensions |     |     |     |         |       |      |       |
|------------|-----|-----|-----|---------|-------|------|-------|
| DA mm      | L   | TOL | S   | Nom In. | DA    | L    | S     |
| 63         | 25  | 0.7 | 3   | 2       | 2.48  | 0.98 | 0.118 |
| 75         | 40  | 0.7 | 3   | 2 1/2   | 2.95  | 1.57 | 0.118 |
| 90         | 40  | 0.9 | 3   | 3       | 3.54  | 1.57 | 0.118 |
| 110        | 40  | 1   | 3   | 4       | 4.33  | 1.57 | 0.118 |
| 140        | 40  | 1.3 | 3   | 5       | 5.51  | 1.57 | 0.118 |
| 160        | 40  | 1.5 | 3   | 6       | 6.30  | 1.57 | 0.118 |
| 180        | 40  | 1.7 | 3   | 7       | 7.09  | 1.57 | 0.118 |
| 200        | 40  | 1.8 | 3   | 8       | 7.87  | 1.57 | 0.118 |
| 225        | 40  | 1.9 | 3.5 | 9       | 8.86  | 1.57 | 0.138 |
| 250        | 40  | 2   | 3.5 | 10      | 9.84  | 1.57 | 0.138 |
| 280        | 50  | 2.2 | 3.5 | 11      | 11.02 | 1.97 | 0.138 |
| 315        | 50  | 2.4 | 4   | 12      | 12.40 | 1.97 | 0.157 |
| 355        | 50  | 2.7 | 4   | 14      | 13.98 | 1.97 | 0.157 |
| 400        | 50  | 3   | 4.5 | 16      | 15.75 | 1.97 | 0.177 |
| 450        | 50  | 3.5 | 5   | 18      | 17.72 | 1.97 | 0.197 |
| 500        | 50  | 4   | 5   | 20      | 19.69 | 1.97 | 0.197 |
| 560        | 60  | 4.5 | 5   | 22      | 22.05 | 2.36 | 0.197 |
| 630        | 70  | 4.5 | 6   | 24      | 24.80 | 2.76 | 0.236 |
| 710        | 80  | 4.5 | 6   | 28      | 27.95 | 3.15 | 0.236 |
| 800        | 80  | 4.5 | 8   | 32      | 31.50 | 3.15 | 0.315 |
| 900        | 90  | 4.5 | 8   | 36      | 35.43 | 3.54 | 0.315 |
| 1000       | 100 | 5   | 10  | 40      | 39.37 | 3.94 | 0.394 |
| 1200       | 120 | 5   | 12  | 48      | 47.24 | 4.72 | 0.472 |

\*PPsEl and PVDF >16" (400mm) and PP, PPs, and PE >20" (500mm) are segmented style

Please see our ProVent® list price book for our complete offering of fittings and accessories.

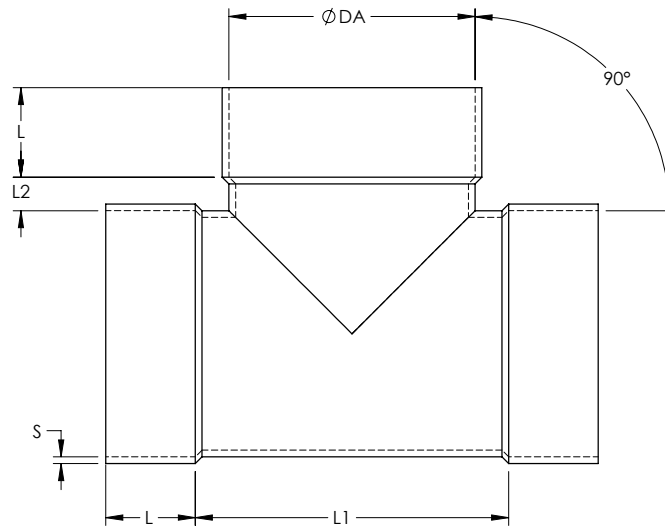
**ProVent®  
System**



**TEE**

| Size  |      | PP          | PPs         | PPsEI       | PE          | PVDF        |
|-------|------|-------------|-------------|-------------|-------------|-------------|
| in    | mm   | Part Number | Part Number | Part Number | Part Number | Part Number |
| 2     | 63   | 1277090002  | 1777090002  | 1977090002  | 2577090002  | -           |
| 2-1/2 | 75   | -           | -           | -           | -           | 3077090025  |
| 3     | 90   | 1277090003  | 1777090003  | 1977090003  | 2577090003  | -           |
| 4     | 110  | 1277090004  | 1777090004  | 1977090004  | 2577090004  | 3077090004  |
| 5     | 140  | 1277090005  | 1777090005  | 1977090005  | 2577090005  | -           |
| 6     | 160  | 1277090006  | 1777090006  | 1977090006  | 2577090006  | 3077090006  |
| 7     | 180  | 1277090007  | 1777090007  | 1977090007  | 2577090007  | -           |
| 8     | 200  | 1277090008  | 1777090008  | 1977090008  | 2577090008  | 3077090008  |
| 9     | 225  | 1277090009  | 1777090009  | 1977090009  | 2577090009  | -           |
| 10    | 250  | 1277090010  | 1777090010  | 1977090010  | 2577090010  | 3077090010  |
| 11    | 280  | 1277090011  | 1777090011  | 1977090011  | 2577090011  | -           |
| 12    | 315  | 1277090012  | 1777090012  | 1977090012  | 2577090012  | 3077090012  |
| 14    | 355  | 1277090014  | 1777090014  | 1977090014  | 2577090014  | -           |
| 16    | 400  | 1277090016  | 1777090016  | 1977090016  | 2577090016  | 3077090016  |
| 18    | 450  | 1277090018  | 1777090018  | 1977090018  | 2577090018  | -           |
| 20    | 500  | 1277090020  | 1777090020  | 1977090020  | 2577090020  | -           |
| 22    | 560  | 1277090022  | 1777090022  | 1977090022  | 2577090022  | -           |
| 24    | 630  | 1277090024  | 1777090024  | -           | 2577090024  | -           |
| 28    | 710  | 1277090028  | 1777090028  | -           | 2577090028  | -           |
| 32    | 800  | 1277090032  | 1777090032  | 1977090032  | 2577090032  | -           |
| 36    | 900  | 1277090036  | 1777090036  | -           | 2577090036  | -           |
| 40    | 1000 | 1277090040  | 1777090040  | -           | 2577090040  | -           |
| 48    | 1200 | 1277090048  | 1777090048  | -           | 2577090048  | -           |

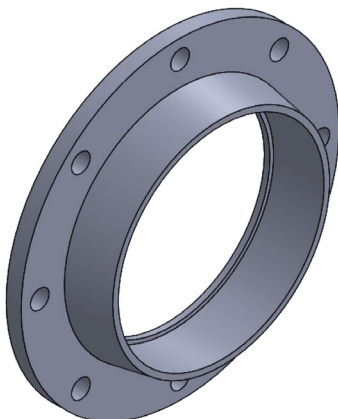
Please see our ProVent® list price book for our complete offering of fittings and accessories.



**TEE**

| Dimensions |     |      |     |     |    |         |       |      |       |      |       |
|------------|-----|------|-----|-----|----|---------|-------|------|-------|------|-------|
| DA         | L   | L1   | L2  | TOL | S  | Nom In. | DA in | L    | L1    | L2   | s     |
| 63         | 25  | 105  | 22  | 0.7 | 3  | 2       | 2.48  | 0.98 | 4.13  | 0.87 | 0.118 |
| 75         | 40  | 105  | 15  | 0.7 | 3  | 2 1/2   | 2.95  | 1.57 | 4.13  | 0.59 | 0.118 |
| 90         | 40  | 120  | 15  | 0.9 | 3  | 3       | 3.54  | 1.57 | 4.72  | 0.59 | 0.118 |
| 110        | 40  | 140  | 15  | 1   | 3  | 4       | 4.33  | 1.57 | 5.51  | 0.59 | 0.118 |
| 140        | 40  | 170  | 15  | 1.3 | 3  | 5       | 5.51  | 1.57 | 6.69  | 0.59 | 0.118 |
| 160        | 40  | 190  | 15  | 1.5 | 3  | 6       | 6.30  | 1.57 | 7.48  | 0.59 | 0.118 |
| 180        | 40  | 210  | 15  | 1.7 | 3  | 7       | 7.09  | 1.57 | 8.27  | 0.59 | 0.118 |
| 200        | 40  | 230  | 15  | 1.8 | 4  | 8       | 7.87  | 1.57 | 9.06  | 0.59 | 0.157 |
| 225        | 40  | 270  | 15  | 1.9 | 4  | 9       | 8.86  | 1.57 | 10.63 | 0.59 | 0.157 |
| 250        | 40  | 280  | 12  | 2   | 4  | 10      | 9.84  | 1.57 | 11.02 | 0.47 | 0.157 |
| 280        | 50  | 320  | 20  | 2.2 | 4  | 11      | 11.02 | 1.97 | 12.60 | 0.79 | 0.157 |
| 315        | 50  | 345  | 8   | 2.4 | 5  | 12      | 12.40 | 1.97 | 13.58 | 0.31 | 0.197 |
| 355        | 50  | 405  | 55  | 2.7 | 5  | 14      | 13.98 | 1.97 | 15.94 | 2.17 | 0.197 |
| 400        | 50  | 460  | 60  | 3   | 6  | 16      | 15.75 | 1.97 | 18.11 | 2.36 | 0.236 |
| 450        | 50  | 586  | 70  | 3.5 | 5  | 18      | 17.72 | 1.97 | 23.07 | 2.76 | 0.197 |
| 500        | 50  | 650  | 75  | 4   | 5  | 20      | 19.69 | 1.97 | 25.59 | 2.95 | 0.197 |
| 560        | 60  | 728  | 85  | 4.5 | 6  | 22      | 22.05 | 2.36 | 28.66 | 3.35 | 0.236 |
| 630        | 70  | 820  | 100 | 4.5 | 6  | 24      | 24.80 | 2.76 | 32.28 | 3.94 | 0.236 |
| 710        | 80  | 924  | 110 | 4.5 | 6  | 28      | 27.95 | 3.15 | 36.38 | 4.33 | 0.236 |
| 800        | 80  | 1040 | 120 | 4.5 | 8  | 32      | 31.50 | 3.15 | 40.94 | 4.72 | 0.315 |
| 900        | 90  | 1170 | 135 | 4.5 | 8  | 36      | 35.43 | 3.54 | 46.06 | 5.31 | 0.315 |
| 1000       | 100 | 1300 | 150 | 5   | 10 | 40      | 39.37 | 3.94 | 51.18 | 5.91 | 0.394 |
| 1200       | 120 | 1560 | 180 | 5   | 12 | 48      | 47.24 | 4.72 | 61.42 | 7.09 | 0.472 |

Please see our ProVent® list price book for our complete offering of fittings and accessories.

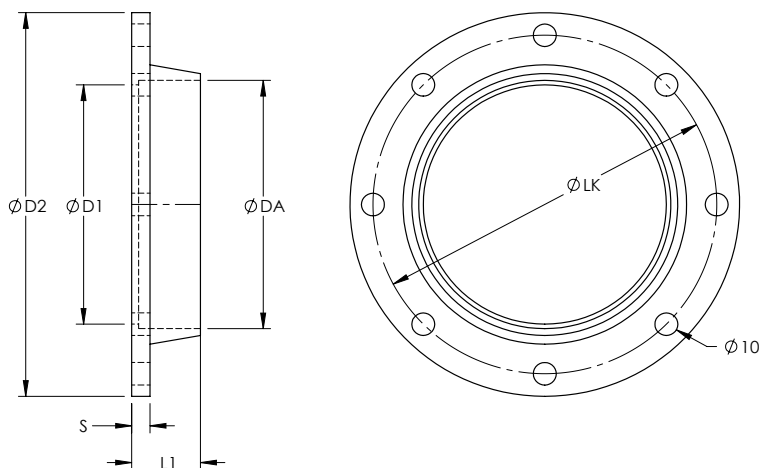


**ProVent®  
System**

### FLANGES - EN 1506 SOCKET

| Size  |      | PP          | PPs         | PPsEI       | PE          | PVDF        |
|-------|------|-------------|-------------|-------------|-------------|-------------|
| in    | mm   | Part Number | Part Number | Part Number | Part Number | Part Number |
| 2-1/2 | 75   | -           | -           | -           | -           | 3077200025  |
| 3     | 90   | 1277200003  | 1777200003  | 1977200003  | 2577200003  | -           |
| 4     | 110  | 1277200004  | 1777200004  | 1977200004  | 2577200004  | 3077200004  |
| 5     | 140  | 1277200005  | 1777200005  | 1977200005  | 2577200005  | -           |
| 6     | 160  | 1277200006  | 1777200006  | 1977200006  | 2577200006  | 3077200006  |
| 7     | 180  | 1277200007  | 1777200007  | 1977200007  | 2577200007  | -           |
| 8     | 200  | 1277200008  | 1777200008  | 1977200008  | 2577200008  | 3077200008  |
| 9     | 225  | 1277200009  | 1777200009  | 1977200009  | 2577200009  | -           |
| 10    | 250  | 1277200010  | 1777200010  | 1977200010  | 2577200010  | 3077200010  |
| 11    | 280  | 1277200011  | 1777200011  | 1977200011  | 2577200011  | -           |
| 12    | 315  | 1277200012  | 1777200012  | 1977200012  | 2577200012  | 3077200012  |
| 14    | 355  | 1277200014  | 1777200014  | 1977200014  | 2577200014  | -           |
| 16    | 400  | 1277200016  | 1777200016  | 1977200016  | 2577200016  | 3077200016  |
| 18    | 450  | 1277200018  | 1777200018  | 1977200018  | 2577200018  | -           |
| 20    | 500  | 1277200020  | 1777200020  | 1977200020  | 2577200020  | -           |
| 22    | 560  | 1277200022  | 1777200022  | 1977200022  | 2577200022  | -           |
| 24    | 630  | 1277200024  | 1777200024  | 1977200024  | 2577200024  | -           |
| 28    | 710  | 1277200028  | 1777200028  | 1977200028  | 2577200028  | -           |
| 32    | 800  | 1277200032  | 1777200032  | 1977200032  | 2577200032  | -           |
| 36    | 900  | 1277200036  | 1777200036  | -           | 2577200036  | -           |
| 40    | 1000 | 1277200040  | 1777200040  | -           | 2577200040  | -           |
| 48    | 1200 | 1277200048  | 1777200048  | -           | 2577200048  | -           |

Please see our ProVent® list price book for our complete offering of fittings and accessories.



**FLANGES - EN 1506 SOCKET**

| Dimensions |     |      |      |      |    |    |    |        |       |      |       |       |       |      |      |      |
|------------|-----|------|------|------|----|----|----|--------|-------|------|-------|-------|-------|------|------|------|
| DA         | L1  | LK   | D1   | D2   | X  | S  | Ø  | Nom in | DA in | L1   | LK    | D1    | D2    | X    | S    | Ø    |
| 75         | 29  | 110  | 69   | 140  | 8  | 8  | 10 | 2-1/2  | 2.95  | 1.14 | 4.33  | 2.72  | 5.51  | 0.31 | 0.31 | 0.39 |
| 90         | 29  | 128  | 84   | 158  | 8  | 8  | 10 | 3      | 3.54  | 1.14 | 5.04  | 3.31  | 6.22  | 0.31 | 0.31 | 0.39 |
| 110        | 30  | 150  | 106  | 170  | 8  | 8  | 10 | 4      | 4.33  | 1.18 | 5.91  | 4.17  | 6.69  | 0.31 | 0.31 | 0.39 |
| 140        | 30  | 175  | 136  | 200  | 8  | 8  | 10 | 5      | 5.51  | 1.18 | 6.89  | 5.35  | 7.87  | 0.31 | 0.31 | 0.39 |
| 160        | 30  | 200  | 156  | 230  | 8  | 8  | 10 | 6      | 6.30  | 1.18 | 7.87  | 6.14  | 9.06  | 0.31 | 0.31 | 0.39 |
| 180        | 30  | 220  | 176  | 250  | 8  | 8  | 10 | 7      | 7.09  | 1.18 | 8.66  | 6.93  | 9.84  | 0.31 | 0.31 | 0.39 |
| 200        | 30  | 240  | 196  | 270  | 8  | 8  | 10 | 8      | 7.87  | 1.18 | 9.45  | 7.72  | 10.63 | 0.31 | 0.31 | 0.39 |
| 225        | 30  | 265  | 222  | 295  | 8  | 8  | 10 | 9      | 8.86  | 1.18 | 10.43 | 8.74  | 11.61 | 0.31 | 0.31 | 0.39 |
| 250        | 30  | 290  | 246  | 320  | 12 | 8  | 10 | 10     | 9.84  | 1.18 | 11.42 | 9.69  | 12.60 | 0.47 | 0.31 | 0.39 |
| 280        | 30  | 325  | 275  | 355  | 12 | 10 | 10 | 11     | 11.02 | 1.18 | 12.80 | 10.83 | 13.98 | 0.47 | 0.39 | 0.39 |
| 315        | 30  | 350  | 310  | 395  | 12 | 10 | 10 | 12     | 12.40 | 1.18 | 13.78 | 12.20 | 15.55 | 0.47 | 0.39 | 0.39 |
| 355        | 30  | 400  | 349  | 435  | 12 | 10 | 10 | 14     | 13.98 | 1.18 | 15.75 | 13.74 | 17.13 | 0.47 | 0.39 | 0.39 |
| 400        | 30  | 445  | 393  | 475  | 16 | 10 | 10 | 16     | 15.75 | 1.18 | 17.52 | 15.47 | 18.70 | 0.63 | 0.39 | 0.39 |
| 450        | 60  | 510  | 446  | 560  | 16 | 12 | 10 | 18     | 17.72 | 2.36 | 20.08 | 17.56 | 22.05 | 0.63 | 0.47 | 0.39 |
| 500        | 60  | 560  | 496  | 610  | 20 | 12 | 10 | 20     | 19.69 | 2.36 | 22.05 | 19.53 | 24.02 | 0.79 | 0.47 | 0.39 |
| 560        | 60  | 610  | 556  | 660  | 20 | 12 | 10 | 22     | 22.05 | 2.36 | 24.02 | 21.89 | 25.98 | 0.79 | 0.47 | 0.39 |
| 630        | 80  | 710  | 626  | 760  | 24 | 12 | 10 | 24     | 24.80 | 3.15 | 27.95 | 24.65 | 29.92 | 0.94 | 0.47 | 0.39 |
| 710        | 80  | 760  | 706  | 810  | 24 | 12 | 10 | 28     | 27.95 | 3.15 | 29.92 | 27.80 | 31.89 | 0.94 | 0.47 | 0.39 |
| 800        | 80  | 866  | 796  | 916  | 28 | 12 | 10 | 32     | 31.50 | 3.15 | 34.09 | 31.34 | 36.06 | 1.10 | 0.47 | 0.39 |
| 900        | 100 | 966  | 896  | 1016 | 32 | 12 | 10 | 36     | 35.43 | 3.94 | 38.03 | 35.28 | 40.00 | 1.26 | 0.47 | 0.39 |
| 1000       | 100 | 1066 | 993  | 1116 | 36 | 12 | 10 | 40     | 39.37 | 3.94 | 41.97 | 39.09 | 43.94 | 1.42 | 0.47 | 0.39 |
| 1200       | 120 | 1270 | 1193 | 1320 | 40 | 12 | 10 | 48     | 47.24 | 4.72 | 50.00 | 46.97 | 51.97 | 1.57 | 0.47 | 0.39 |

*Page intentionally left blank.*

