

DataLogger[®] 7



Asahi/America, Inc.

ProWeld[®] Equipment

800-343-3618



Powered by



DLP0857591
Rev 10/20
Original Language: English

Operator's Manual

**Copyright 2020 McElroy Manufacturing, Inc.
All rights reserved.
P.O. Box 580550
Tulsa, Oklahoma 74158-0550, USA**

Important Safety Information

Most accidents that involve product operation, maintenance and repair are caused by failure to observe basic safety rules or precautions. An accident can often be avoided by recognizing potentially hazardous situations before an accident occurs. A person must be alert to potential hazards. This person should also have necessary training, skills and tools to perform these functions properly.

Advanced training is offered through McElroy University. Course offerings are meant to enhance your efficiency, productivity and safety in the proper use of McElroy equipment.

Improper operation, maintenance or repair of this product can be dangerous and could result in injury or death.


Do not operate this product until you have carefully read, and understand all the sections of this manual, and all other equipment manuals that will be used with it.


Follow all applicable federal, state, local, and industry specific regulations.

The hazards are identified by the "Safety Alert Symbol" and followed by a "Signal Word" such as "DANGER", "WARNING" or "CAUTION". The Safety Alerts are shown below.

The meaning of these safety alert symbols are as follows:

 **DANGER** - Indicates an imminently hazardous situation which, if not avoided, will result in death or serious injury.

 **WARNING** - Indicates a potentially hazardous situation which, if not avoided, could result in death or serious injury.

 **CAUTION** - Indicates a hazardous situation which, if not avoided, may result in minor or moderate injury.

Signal words "NOTICE" and "IMPORTANT" are used to bring attention to important information.

The meaning of these signal words are as follows:

"NOTICE" - Can keep you from doing something that might damage the machine or someone's property. It may also be used to alert against unsafe practices.

"IMPORTANT" - Can help you do a better job or make your job easier in some way.

McElroy cannot anticipate every possible circumstance that might involve a potential hazard. The warnings in this publication and on the product are, therefore, not all inclusive. If a tool, procedure, work method or operating technique that is not specifically recommended by McElroy is used, you must satisfy yourself that it is safe for you and for others. You should also ensure that the product will not be damaged or be made unsafe by the operation, maintenance or repair procedures that you choose.

The information, specifications, and illustrations in the publication are on the basis of information that was available at the time that the publication was written. The specifications, pressures, measurements, adjustments, illustrations, and other items can change at any time. These changes can affect the service that is given to the product. Obtain the complete and most current information before you start any job. The most current information is available at our website

www.mcelroy.com.

TABLE OF CONTENTS

FOREWORD

Literature Information	1 - 1
Safety	1 - 1
Operation.....	1 - 1
Patent Information	1 - 1
Replacement Literature	1 - 1
Trademarks.....	1 - 1
Graphics	1 - 1
ASTM Standard.....	1 - 1
Limited Warranty	1 - 2

SAFETY

General Safety	2 - 1
Safety Equipment.....	2 - 1
Equipment Not Explosion Proof.....	2 - 1
Units with Hydraulics	2 - 1
Heater is Hot	2 - 2
Fusion Machine Procedures	2 - 2

GENERAL INFORMATION

Installing the SIM Card and SD Card (Optional)	3 - 2
Charging the Battery	3 - 2
Performing the Initial Startup	3 - 2

OPERATION

Waking Up	4 - 1
Shutting Down	4 - 1
Home Screen	4 - 1
DataLogger® App.....	4 - 1
Connect Pressure Transducer to Fusion Machine.....	4 - 1
Starting the DataLogger® 7 App.....	4 - 1
Select Software Language	4 - 2
Log a Fusion Joint	4 - 2

TROUBLESHOOTING

Perform a Hard Reset.....	5 - 1
---------------------------	-------

MAINTENANCE

Usage and Care.....	6 - 1
No User Serviceable Parts	6 - 1
Calibration	6 - 1

Replacement Parts and Accessories6 - 1

SPECIFICATIONS

Specifications7 - 1

NOTES

Notes8 - 1

FOREWORD

Literature Information

This manual should be stored in a protected location for future reference. Use the literature holder if provided with the product.

This manual contains safety information, operation instructions, transportation information, lubrication information and maintenance information.

Some photographs or illustrations in this publication show details or equipment that can be different from your machine. Guards and covers might have been removed for illustrative purposes.

Continuing improvement and advancement of product design might have caused changes to your machine which are not included in this publication. Read, study and keep this manual with the machine.

Whenever a question arises regarding your machine, or this publication, please contact Asahi/America Technical Services at 1-800-343-3618 or pipe@asahi-america.com.

Safety

The safety section lists basic safety precautions. In addition, this section identifies the text and locations of warning signs and labels used on the machine.

Read and understand the basic precautions listed in the safety section before operating or performing maintenance and repair on this machine.

Operation

The operation section is a reference for the new operator and a refresher for the experienced operator. This section includes a discussion of gauges, switches, machine controls, accessories and transportation.

Photographs and illustrations guide the operator through correct procedures of setting up, checking and operating the machine.

Operating techniques outlined in this publication are basic. Proficiency develops as the operator gains knowledge and experience with the machine and its capabilities.

Maintenance

The maintenance section is a guide to equipment care. The maintenance schedule lists the items to be maintained at a specific service interval. Items without specific intervals are listed under the "As Needed" service interval. The schedule lists the page for the step-

by-step instructions required to accomplish the scheduled maintenance. Use the schedule as an index for all maintenance procedures.

Some maintenance procedures may be referenced in a manual pertaining to that component of the machine. For example, maintenance for an engine component would have its intervals and procedures in the engine operator's manual.

Use the hour meter (if equipped) to determine servicing intervals. Calendar intervals will be used instead of hour meter intervals if no hour meter is equipped on a machine. Recommended service should always be performed at the interval that occurs first.

Under extremely severe, dusty or wet operating conditions, more frequent lubrication than is specified in the maintenance schedule might be necessary.

Asahi/America Training Standards

Since 1984, Asahi/America, Inc. has been teaching contractors the benefits of welding thermoplastic piping systems in industrial and high purity applications. Our partnership with McElroy allows us to leverage their state-of-the-art Learning Management System (LMS) using Asahi/America technical standards across all Asahi piping systems.

For more than 30 years, McElroy has been the only pipe fusion machine manufacturer to continuously offer advanced training. Course offerings are meant to enhance your efficiency, productivity and safety in the proper use of McElroy machines. Asahi/America learning portal classes powered by McElroy University are structured so that the skills learned and the machines used in each class closely match the machines found on pipelining jobsites.

Training modules specific to Asahi/America piping systems available for purchase online and required to be completed prior to onsite training by Asahi/America personnel.

This manual is intended as a guide only and does not take the place of proper training by qualified instructors. The information in this manual is not all inclusive and cannot encompass all possible situations that can be encountered during various operations.

Patent Information

This product and other products could be protected by patents or have patents pending. All the latest patent information is available at patent.mcelroy.com

Replacement Literature

This product is shipped with a printed operator's manual. If the manual becomes lost or damaged, order a replacement manual or download and print a copy of the manual at https://www.asahi-america.com/images/x-assets/PDF/Datasheet_McElroy_DataLogger_7.pdf.

Nameplate Location

Every machine has a name plate that includes the machine's model number, serial number, and power requirements. The model and serial numbers can be used to register the machine online and activate the warranty. Reference warranty card for information on registering your product. Asahi America's rental tools also have the rental serial number on tool and shipping crate, as well. This serial number required when calling Asahi America with questions for rental tools.

Replacement Parts

Contact Asahi/America for replacement parts on Asahi-owned rental tools.

Refer to the McElroy parts finder at www.mcelroy.com to locate parts for purchase. Reference the model number on the nameplate of the machine when using the parts finder. Contact your McElroy distributor to order replacement parts. Find your closest distributor on our website at www.mcelroy.com.

Asahi/America Rental Warranty

Asahi/America's comprehensive rental equipment policies can be found on our website here: <https://www.asahi-america.com/support/rental-equipment-policy>

All rental equipment is warranted for six (6) months of on-site usage. All tool failures within this six-month period are handled as indicated in Section V. After six months usage it is recommended that the equipment be returned for regular maintenance and warrantee renewal. Equipment held longer than six months without return is held at the renter's risk.

Used Equipment Warranty

Purchase of refurbished/used equipment carries a 90-day warranty.

New Equipment Warranty

Purchase of new Asahi/America versions of McElroy equipment carries a 5-year limited warranty. Details can be found here: <https://www.mcelroy.com/warranty.htm>

Asahi/America Tool Department Contacts

For technical or tool related questions, please contact:

Rental Equipment Manager – (781) 388-4618 or toolmanager@asahi-america.com

For Rental Administration, Billing, and Returns – (781) 388-4623 or toolrental@asahi-america.com

Welding and Standards Manager – (781) 388-4577

To schedule field service or training, please enter information here: <https://www.asahi-america.com/support/field-technician-request>

For technical service related questions, please contact:

High Purity, Double Wall, or Industrial Piping – (781) 321-5409 or pipe@asahi-america.com

Asahi/America Corporate Headquarters – (800) 343-3618 or asahi@asahi-america.com

Asahi/America, Inc.

655 Andover St.

Lawrence, MA 01843

SAFETY

There can be several specific safety messages on this machine. The exact location of the hazards and the description of the hazards are reviewed in this section. Please become familiarized with all safety messages.

Make sure that all of the safety messages on the machine are legible. Clean the safety messages or replace the safety messages if you cannot read the words. Replace if the illustrations are not legible. When you clean the safety

messages, use a cloth, water and soap. Do not use solvent, gasoline, or other harsh chemicals to clean the safety messages. Solvents, gasoline, or harsh chemicals could loosen the adhesive that secures the safety message or damage the print of the safety message.

Replace any safety message that is damaged, or missing. If a safety message is attached to a part that is replaced, install a safety message on the replacement part. New safety messages can be ordered from McElroy using the part number listed.

General Safety

Safety is important. Report anything unusual that you notice during set up or operation.

LISTEN for thumps, bumps, rattles, squeals, air leaks, or unusual sounds.

SMELL odors like burning insulation, hot metal, burning rubber, hot oil, or natural gas.

FEEL any changes in the way the equipment operates.

SEE problems with wiring and cables, hydraulic connections, or other equipment.

REPORT anything you see, feel, smell, or hear that is different from what you expect, or that you think may be unsafe.

Safety Equipment



SAFEIST-12-22-92

Wear a hard hat, safety shoes, safety glasses, and other applicable personal protective equipment.

Remove jewelry and rings, and do not wear loose fitting clothing or long hair that could catch on controls or moving machinery. Remove any loose safety equipment during an operation that could be drawn into or caught in the machine.

Ensure proper fire prevention or other fire-fighting equipment is available and all personnel know how and when to use it.

Equipment Not Explosion Proof

This safety message is located on the cord of the heater.



DataLogger® equipment is not explosion proof. Operation of equipment in an explosive atmosphere may result in serious injury or death.

Do not operate this equipment in an explosive atmosphere.



WR00034-11-30-92

Units with Hydraulics



Escaping fluid under pressure can penetrate the skin causing serious injury. Keep hands and body away from pinholes which eject fluid under pressure. Use a piece of cardboard or paper to search for leaks. If any fluid is injected into the skin, it must be immediately removed by a doctor familiar with this type of injury.

For hydraulically operated equipment, it is important to remember that a sudden hydraulic oil leak can cause serious injury, or even be fatal if the pressure is high enough.

NOTICE: Wear safety glasses, and keep face clear of area



WR00078-4-8-93

when bleeding air from hydraulic system to avoid spraying oil into eyes.

⚠ CAUTION

Heater is Hot

The heater is hot and will burn clothing and skin. Keep the heater in its insulated heater stand or blanket when not in use, and use care when heating the pipe.

NOTICE: Use only a clean non-synthetic cloth such as a cotton cloth to clean the heater plates.



WR00030-2-10-93

Fusion Machine Procedures

Familiarize yourself with the fusion machine you will be working with by reading the Manufacturer's manuals for the machine. Read the Safety Information to avoid potentially dangerous situations.

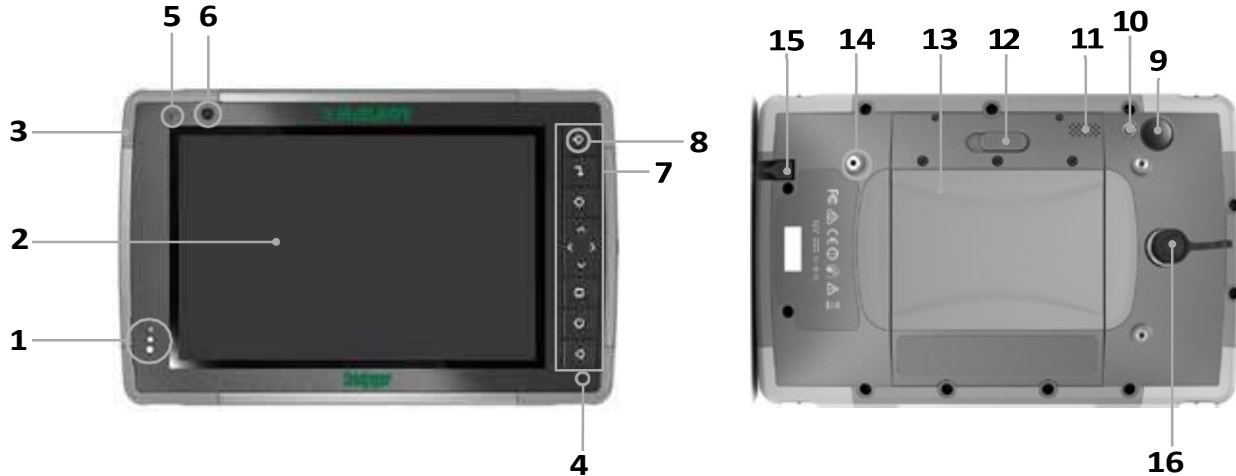
NOTICE: Follow the pipe manufacturer's procedures or appropriate joining standard for fusing the pipe being used.

Failure to adhere to proper machine and fusion procedures can result in damage to the machine and bad fusion joints.

GENERAL INFORMATION

DataLogger® 7 Hardware Components

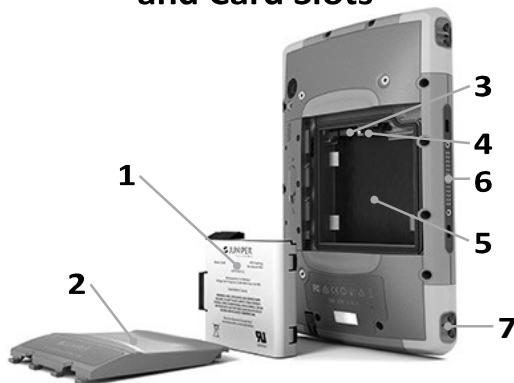
Front and Back Features



- 1 Notification LEDs
- 2 Touchscreen and Display
- 3 Protective Over-molded Bumper (all four edges)
- 4 Microphone (one on each side)
- 5 Ambient Light Sensor
- 6 Front Facing Camera Lens, 2 MP
- 7 Keypad
- 8 Power Key

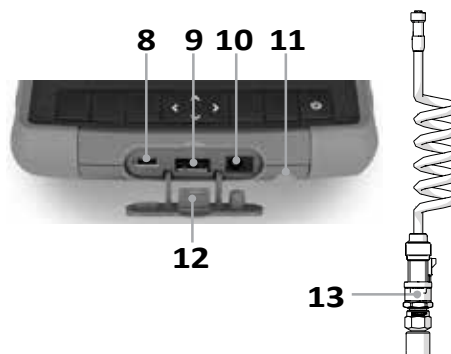
- 9 Rear Facing Camera Lens, 16 MP
- 10 Camera Flash
- 11 Speaker
- 12 Battery Door Lock
- 13 Battery Compartment, SIM and SD Card Slots
- 14 External Device Attachment Point (1 of 3 on the back)
- 15 Storage Slot for Fine Tip Stylus
- 16 Switchcraft Connector Port

Battery Compartment and Card Slots



- 1 Battery Pack, Removable
- 2 Battery Door
- 3 Micro SIM Card Slot and Micro SD/SDHC Card Slot (under card retainer)
- 4 Flexible Card Retainer
- 5 Battery Compartment
- 6 Docking Port Connections

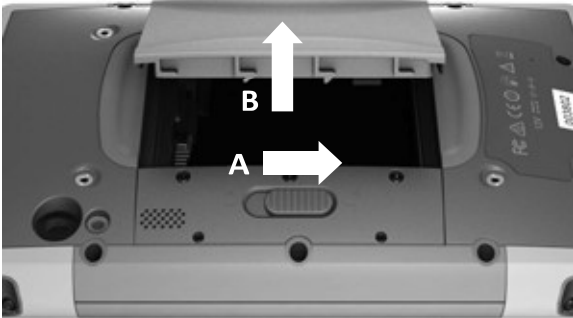
Connector Ports



- 7 Hand Strap Attachment Point
- 8 USB-C, USB 3.1, 5V 1.5A Max Output
- 9 USB 2.0 Host, 5V 500mA Max Output
- 10 12 VDC Power Input Jack
- 11 Storage Slot for Fine Tip Stylus
- 12 Connector Port Protector
- 13 Transducer and Cable

Installing the SIM Card and SD Card (Optional)

1. Slide the battery compartment lock (A) to the unlocked position.



2. Remove the compartment door (B). Remove the battery. The Micro SIM and SD cards slots are under the battery. Pull flexible card holder out of the way.



Flexible Card Holder

3. Insert SIM card into the proper slot. Push flexible card holder back into place.
4. Replace the battery and reattach door and lock. Activate SIM card per carrier instructions.

Charging the Battery

Connect the AC adapter to charge the battery.



The LED battery charge indicator blinks red when the unit is plugged in and the battery is charging. The LED indicator will be solid red when the battery is charged (not charging).

OPERATION

Waking Up

Your device sleeps after a period of inactivity.

To wake up, press the power button and, at the lock screen, drag the lock icon to the other side of the screen.

Shutting Down




To shut down, press and hold the power button until a menu pops up. Touch Power off and then OK.

Home Screen

The Home screen is your starting point to access all the features on your device.



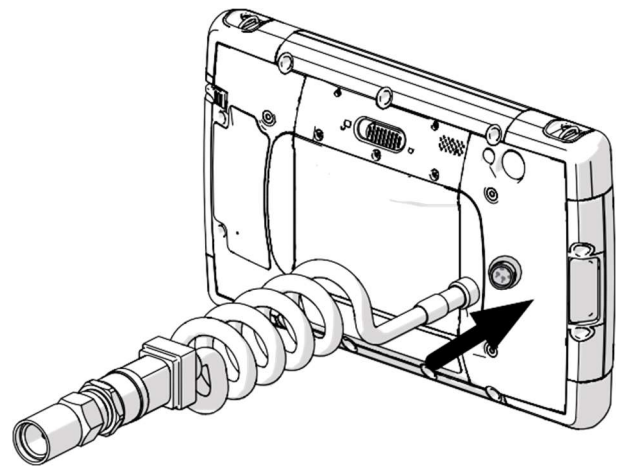
Navigation bar:

-  opens a screen containing thumbnails of application you've used recently.
-  opens the Home screen.
-  goes back to the previous screen.

DataLogger® App

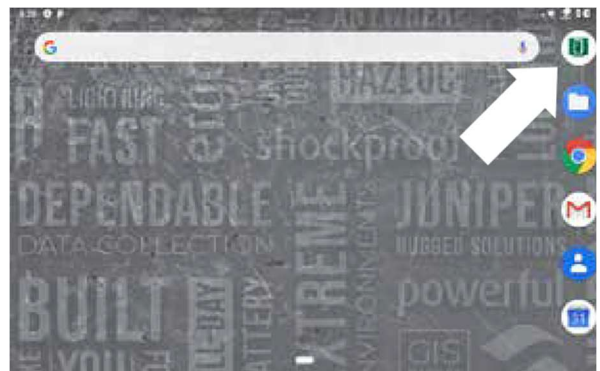
Connect Pressure Transducer to Fusion Machine

1. Connect the pressure transducer end of the cable to the DataLogger port of fusion machine. Refer to the operator's manual of the fusion machine for the port location.
2. Connect the connector end of the cable to the connector port on the back of the tablet.



Starting the DataLogger® 7 App

1. Open to the Home screen.
2. Tap the DataLogger® 7 App icon to open the application.

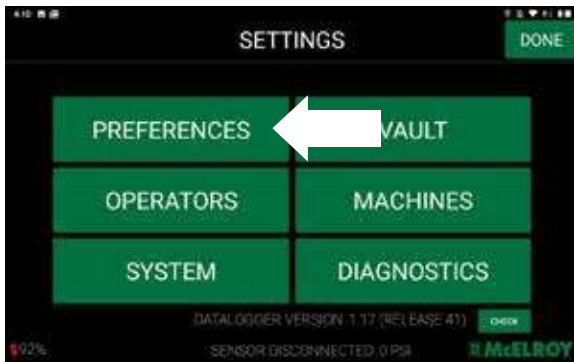


Select Software Language

1. Tap Settings on the Main Menu.



2. Tap Preferences on the Settings Menu.



3. Tap the Language button and set to the desired language.



Entering Vault Information

1. Tap the lock icon on the main screen to open the DataLogger® Vault™ log in screen.
2. Log into a DataLogger® Vault™ account using a username and password.

If you do not have a Vault account, open an internet browser on this tablet and go to vault.mcelroy.com. Create an account and return to the DataLogger 7 App and enter the username and password.



Log a Fusion Joint

1. Tap the START button.
 2. Follow the on-screen instructions to enter all the joint information and select the fusion parameters.
- After the setup is completed, logging of the fusion joint can begin.

TX05410-10-15-20

TROUBLESHOOTING

Perform a Hard Reset

1. If the tablet has frozen and won't respond, hold the power key down for 2 to 3 seconds to see if the menu with the "Power off" option appears, then select that operation.

If the menu doesn't appear, hold the power key down for 10 seconds. This causes a hardware shut off. Press the power key again to power it on.

If hold the power key for 10 seconds doesn't shut off the device, hold the power button down for 20 seconds. Batteries are forced to electrically disconnect from the tablet, causing a complete shut down. The tablet cannot be powered on again until an external power supply is attached.

IMPORTANT: To be able to power the device on again, you will need to be able to use the external power supply. You will need to have access to a power source for the power supply.

NOTICE: Forcing a shut-down while the unit is running can cause damage to the device. NEVER force shut-down the tablet under normal operating conditions.

TX05411-10-15-20

Power Key



MAINTENANCE

Usage and Care

Pressure Sender cord

The coiled cord, which connects the pressure sender to the tablet, has screw connectors on both ends. If the cord is damaged it is easily replaced by unscrewing both ends and installing a new cord.

Quick Disconnect

This DataLogger® uses an improved quick disconnect on the pressure sender. It is designed to seal reliably but not trap pressure in the line. It can be connected under pressure if necessary. To use this unit on older fusion machines you will need Fusion Machine Adapter Kit ADL6001. Remove the QD and fittings on the carriage manifold TXA port and replace them with the elbow and QD in the kit.

Pressure Sender

The pressure sender is verified at McElroy Manufacturing, Inc. and a certification document is included. Its calibration should be checked annually to maintain factory quality.

Tablet

Keep the tablet clean especially around the connections, camera, and keypad. Keep the screen clean and free of debris.

No User Serviceable Parts

NOTICE: There are no parts of the DataLogger® that can be repaired by the user. Do not try to open the unit. Any attempt to open the unit can affect the weatherproofing and can damage the unit.

Calibration

Pressure sender must be sent to McElroy or Authorized Service Center every year for certification.

A backup pressure sender may be kept on hand to minimize down time.

Replacement Parts and Accessories

Contact Asahi/America for replacement parts on Asahi-owned rental tools.

Refer to the McElroy parts finder at www.mcelroy.com to locate parts for purchase. Reference the model number on the nameplate of the machine when using the parts finder.

Contact your McElroy distributor to order replacement parts. Find your closest distributor on our website at www.mcelroy.com.

TX05412-10-15-20

SPECIFICATIONS

Specifications

DataLogger 7 Specs

Model: DLP0857716

Supported Standards: ASTM F3124, ASTM F2620, ISO 21307, GIS/PL2-3-07, Profuse, DS/INF 70-2 PE:HD, WIS 4-32-08, DVS 2207-1 PE-HD, DVS 2207-11 PP, DS/INF 70-2 PP, PPI TR-33, additional standards upon request.
See device for latest list of supported standards.

Weight: 1.5 - 2.0 lbs. (680 - 907g) Battery Dependant

Dimensions: 5.40" W x 8.48" L x 1.36" D (137 x 215 x 35 mm)

Screen: 1200 x 800 WXGA, protected capacitive touchscreen

Operating System: Android 9.0

Memory: 6 GB

Microprocessor: Qualcomm® Snapdragon™ Octa-core Kryo™ 260

Storage: 64 GB eMMC Flash Storage, MicroSDXC card slot

Connectivity: Bluetooth® v5.0 + EDR, Class 1.5, BLE support, Wi-Fi 802.11 a/b/g/n/ac, 2.4 GHz and 5 GHz, 4G LTE multi-carrier capable, GPS, GLONASS, and Galileo

Camera: Rear 16MP with LED illumination, Front 2 MP

Power Requirements: 100-240 V, 12V, 50/60 Hz

Battery: Internal Battery: Li-Ion 21.6 Whr

Removable Battery: Li-Ion 43.2 Whr

Operating Temperature: -4°F to 122°F (-20°C to 50°C)

Storage Temperature: -22°F to 158°F (-30°C to 70°C)

Ruggedness: MIL-STD-810G, IP68

Inclusions: Tablet, transducer, A/C adapter, machine mount, stylus, carrying case, removable battery, screen protector

TX05413-10-15-20



Tel: 781-321-5409 • Fax: 800-787-6861 • Toll Free: 800-343-3618
www.asahi-america.com • asahi@asahi-america.com
Direct Sales: East: 800-232-7244 / Central: 800-442-7244 / West: 800-282-7244