

QM Remote Cycle™ Battery Timer Remote Actuator



QM Remote Cycle™ w/ Series 94 Actuator & Type-21 Ball Valve



Self-powered Series 94 electric actuator with open/close timer

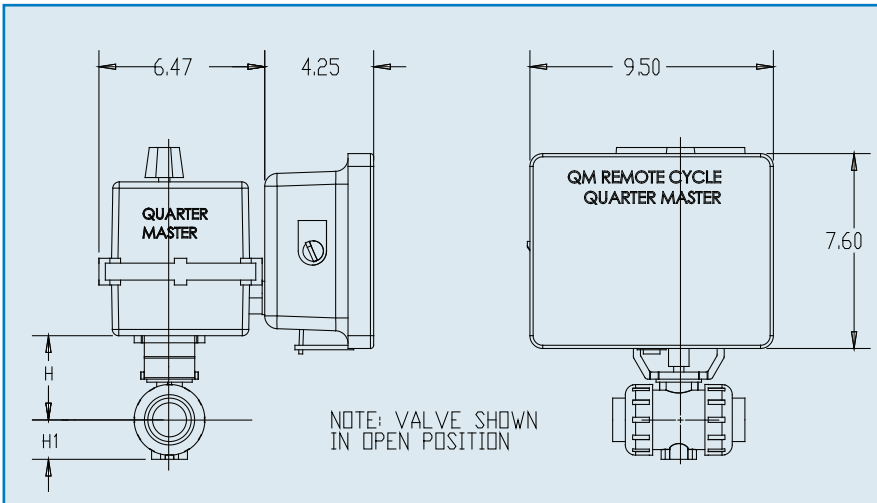
Standard Features

- Engineered resin enclosures rated Type 4X with stainless steel trim
- On/off switch
- 12 VDC rechargeable battery
- Adjustable open and interval time via dip switches
- Visual position indication
- Manual override
- 1,100 cycles from a fully charged battery
- Perfect for remote areas



QM Remote Cycle™ w/ Series 94 Actuator & Type-57 Butterfly Valve

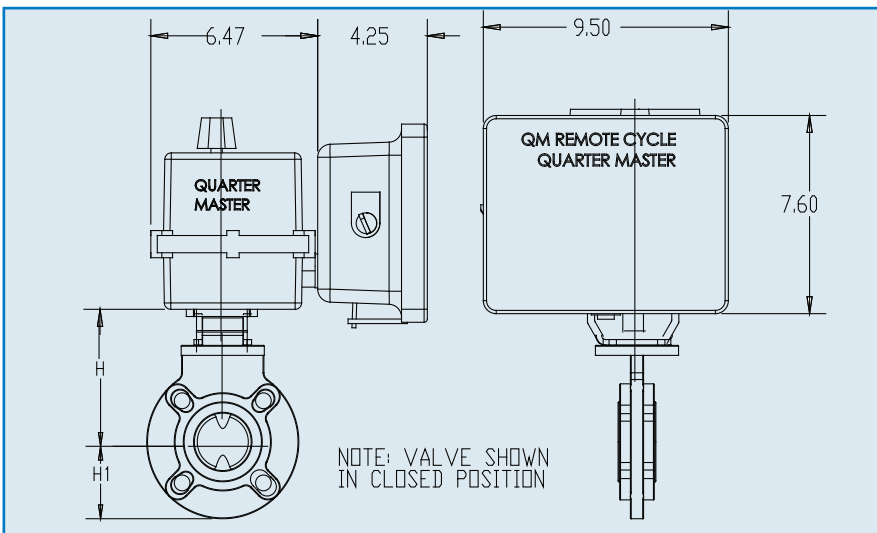
QM Remote Cycle™ Battery Timer Remote Actuator



QM Remote Cycle™
Series 94 Electric Actuator
on Type-21 Ball Valve

Dimensions (in.)

Size	H	H1
1/2	2.76	1.14
3/4	3.01	1.38
1	3.29	1.54
1-1/4	3.64	1.85
1-1/2	3.98	2.17
2	4.43	2.60



QM Remote Cycle™
Series 94 Electric Actuator
on Type-57 Butterfly Valve

Dimensions (in.)

Size	H	H1
1-1/2	5.51	2.95
2	5.75	3.27
2-1/2	6.18	3.66
3	6.46	3.94
4	7.16	4.53