

# Fast Pack - Valve/Actuator Packages

**SHIPS IN  
24 HRS !**



**Series 83/Type-21 Ball Valve**

## Standard Features (Sizes 1/2" - 2")

- PVC or CPVC Type-21 ball valve up to 2"
- 115 VAC thermally protected with single limit switch cam coupling activated
- Sealed weatherproof enclosure includes:
  - Flanged cover and base Type 4X rated enclosure with nitrile flat gasket seal
  - Nitrile O-ring or gasket valve to actuator base seal
  - Nitrile motor mounting bolt seals
  - NPT threaded to base 90° elbow provides 1/2" NPT conduit entry with 6" color coded wire leads
- Direct mounted valves - No mounting bracket required
- Sealed 90° cable entry elbow
- Captivated stainless steel hex head slotted cover screws
- Compact and low profile, ideal for OEM type installations

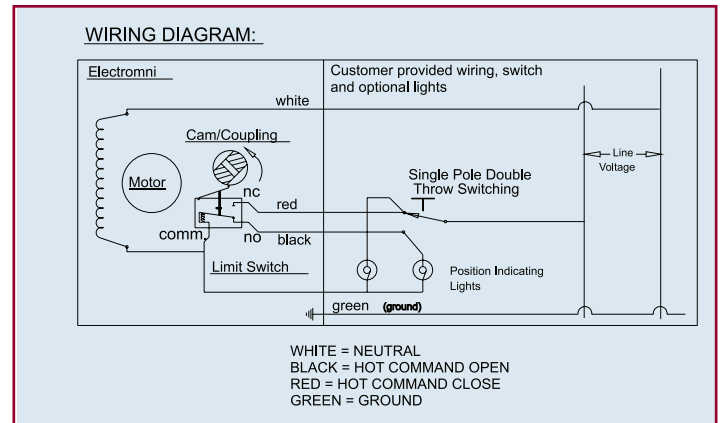
## Engineering Data

Model	Torque (in./lbs.)	115 VAC		Cycle Time per 90 Degrees (Seconds)
		Amp	Duty	
		Draw	Cycle	
A83	120	2.1	25%	5

**Note:**

Amp rating is considered locked rotor  
Duty cycle is for ambient temperature (73° F)

## Wiring



Valve Type	Size	Actuation Model
Type-21 PVC/EPDM	1/2	A83
Type-21 PVC/EPDM	3/4	A83
Type-21 PVC/EPDM	1	A83
Type-21 PVC/EPDM	1-1/4	A83
Type-21 PVC/EPDM	1-1/2	A83
Type-21 PVC/EPDM	2	A83
	-	
Type-21 PVC/FKM	1/2	A83
Type-21 PVC/FKM	3/4	A83
Type-21 PVC/FKM	1	A83
Type-21 PVC/FKM	1-1/4	A83
Type-21 PVC/FKM	1-1/2	A83
Type-21 PVC/FKM	2	A83

Valve Type	Size	Actuation Model
Type-21 CPVC/EPDM	1/2	A83
Type-21 CPVC/EPDM	3/4	A83
Type-21 CPVC/EPDM	1	A83
Type-21 CPVC/EPDM	1-1/4	A83
Type-21 CPVC/EPDM	1-1/2	A83
Type-21 CPVC/EPDM	2	A83
	-	
Type-21 CPVC/FKM	1/2	A83
Type-21 CPVC/FKM	3/4	A83
Type-21 CPVC/FKM	1	A83
Type-21 CPVC/FKM	1-1/4	A83
Type-21 CPVC/FKM	1-1/2	A83
Type-21 CPVC/FKM	2	A83