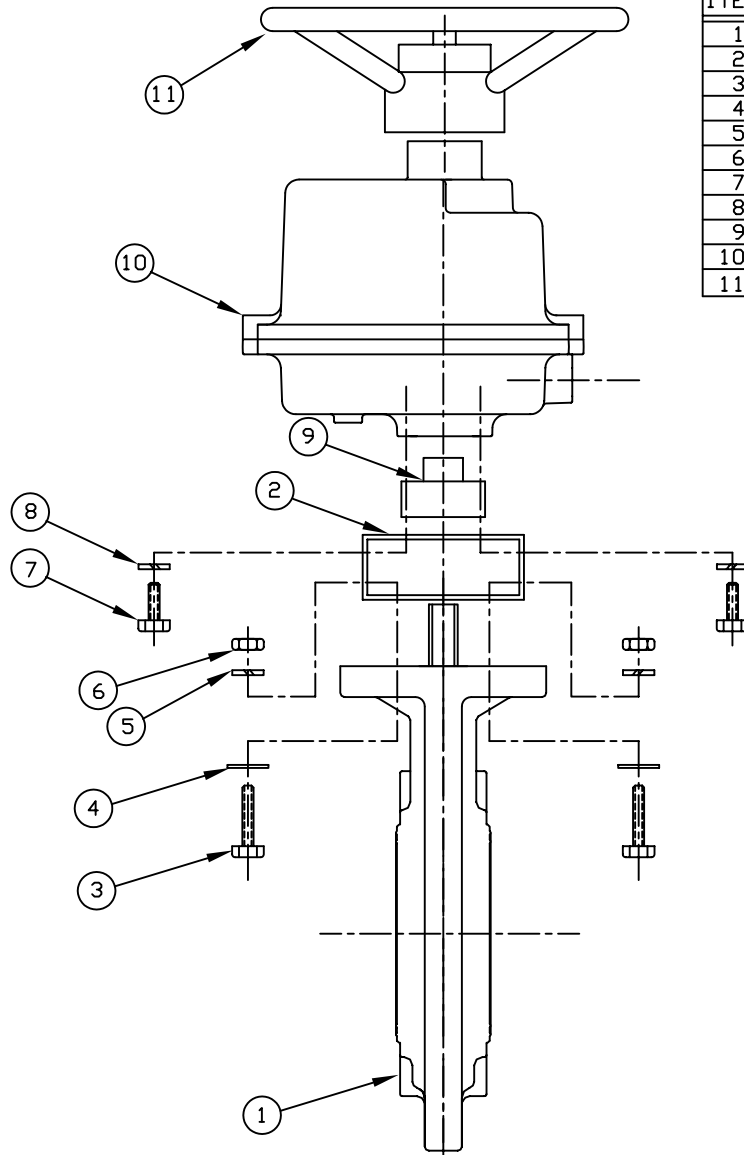
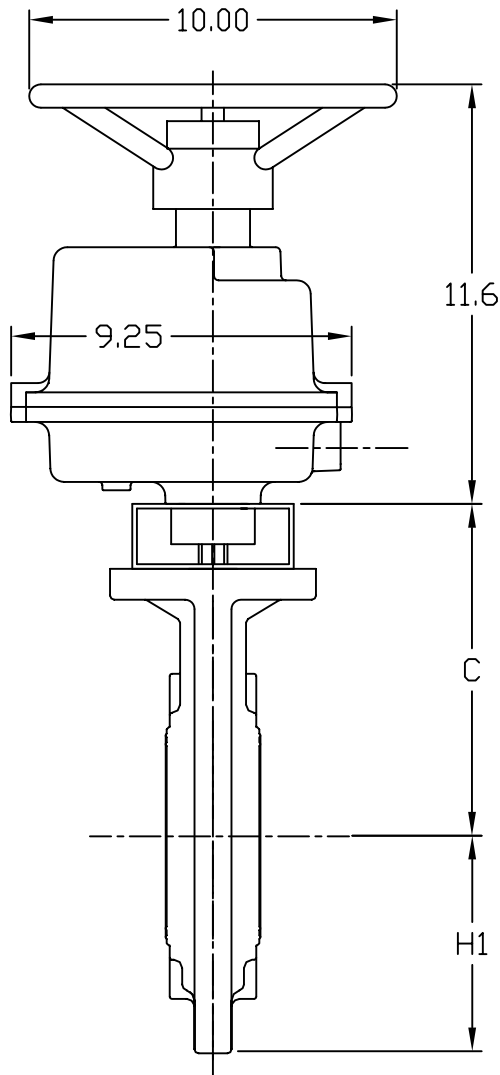


VALVE SIZE	H1	C
1 1/2'	3.74	5.00
2'	3.86	5.00
2 1/2'	3.66	5.58
3'	3.94	5.78
4'	4.53	6.56
5'	5.00	8.05
6'	5.63	8.76
8'	6.70	11.25



ITEM	DESCRIPTION	MATERIAL	QTY
1	BUTTERFLY VALVE		1
2	BRACKET MOUNTING	300 SS	1
3	SCREW	300 SS	4
4	WASHER FLAT	300 SS	4
5	WASHER LOCK	300 SS	4
6	NUT HEX	300 SS	4
7	SCREW	300 SS	4
8	WASHER LOCK	300 SS	4
9	SHAFT ADAPTER	300 SS	1
10	ACTUATOR	ALUM. EPOXY COATED	1
11	HANDWHEEL	ALUM. EPOXY COATED	1

FOR REFERENCE ONLY
ASAHI/AMERICA

THIS DRAWING AND ALL INFORMATION HEREON IS THE PROPERTY OF ASAHI/AMERICA. ANY COPYING, REPRODUCTION OR UNAUTHORIZED USE IS FORBIDDEN WITHOUT WRITTEN CONSENT.

	NAME	DATE
DR	JOHN GLASSFORD	6/10/05
APPD	DAVE HURLEY	6/10/05
PROD	LEO LESTER	6/10/05
PATH		
WO#/CO#		

ASAHI/AMERICA
ISO 9001 CERTIFIED
35 GREEN STREET, P.O. BOX 653, MALDEN, MA.



TYPE57 BF VALVE SERIES 92 2000 IN/LB ELECTRIC ACT		
SIZE	DWG. NO.	REV
A	0168BF57	A
SCALE	SHEET 1 OF 1	
NONE		