

# T-343 ZERO STATIC DIAPHRAGM VALVE



## TECHNICAL SPECIFICATION:

**Body Materials:** Purad® (PVDF): 1/2" x 1/2" - 6" x 2"  
PP-Pure® (PP): 1/2" x 1/2" - 4" x 1"  
PolyPure® (PPn): 2" x 1/2" - 2" x 1"

**Bonnet Material:** PPG

**Diaphragm:** PTFE with EPDM backing  
EPDM

**End Connection:** Metric (DIN) spigot standard

**Operator:** Handwheel

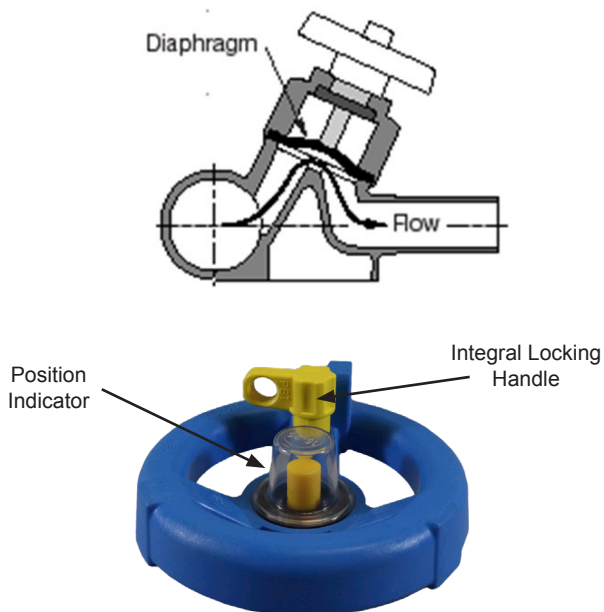
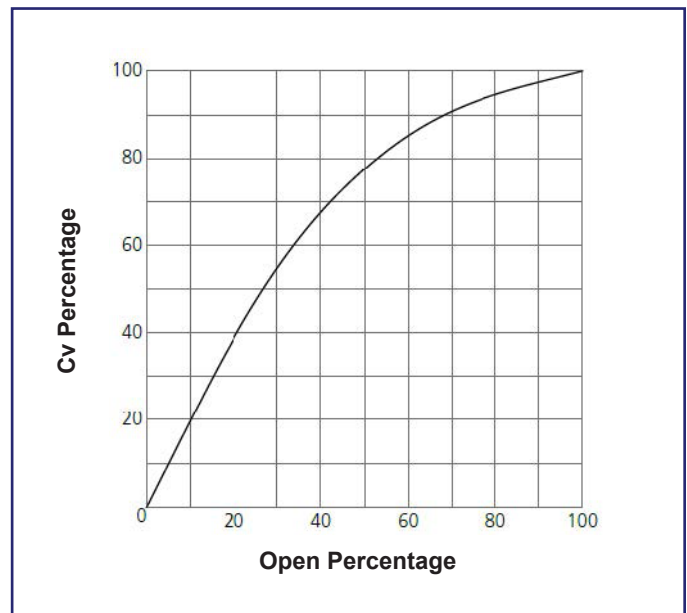
## FEATURES:

- Unibody molded construction
- No wetted metal components
- Reduces dead legs over fabricated versions (tee + valve)
- Integral lockout device to prevent unauthorized cycling can be locked in multiple positions
- All metal nuts and bold capped to reduce exposure
- Position indicator with marked 25%, 50%, and 75% open positions
- Molded in a clean environment, cleaned for 1 hour in a HUPW system after secondary machining. Shipped double-bagged.
- Fully serviceable with replacement diaphragms available

## OPTIONS:

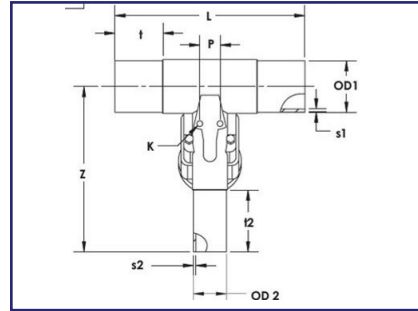
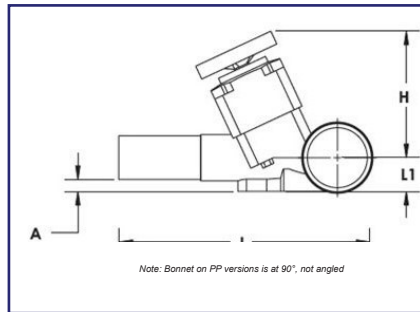
- Complete line of fabricated valves:
  - Sanitary adapters
  - Union nuts
  - Flare adapters
- Pneumatic actuation & options:
  - Single or double acting
  - Limit switches
  - Solenoids
  - Travel stops
  - Manual override

## FLOW CHARACTERISTICS:



# T-343 ZERO STATIC DIAPHRAGM VALVE

## DIMENSIONS:

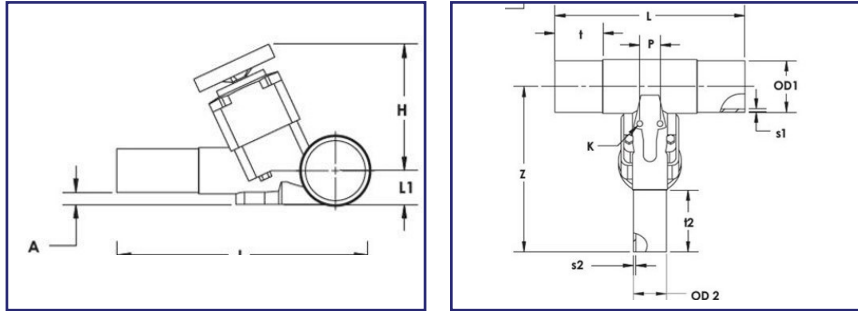


Size		Z (in)		L (in)	L1 (in)		t2 (in)		t (in)	H (in)		P (in)	A (in)	K	Weight (lbs)	
inch	mm	PVDF	PP		PVDF	PP	PVDF	PP		PVDF	PP				PVDF	PP
1/2 x 1/2	20 x 20	5.67	4.41	6.46	0.51	0.64	2.64	1.42	1.42	4.65	4.21	0.98	0.79	M6	1.3	1.0
3/4 x 1/2	25 x 20	5.67	4.55	6.46	0.55	0.64	2.64	1.42	1.42	4.65	4.21	0.98	0.79	M6	1.3	1.1
3/4 x 3/4	25 x 25	5.59	4.55	6.46	0.59	0.64	2.76	1.42	1.42	4.65	4.21	0.98	0.79	M6	1.3	1.1
1 x 1/2	32 x 20	5.91	4.80	6.46	0.67	0.75	2.28	1.42	1.42	5.04	4.21	0.98	0.79	M6	1.9	1.5
1 x 3/4	32 x 25	5.91	4.80	6.46	0.67	0.75	2.36	1.42	1.42	5.04	4.21	0.98	0.79	M6	1.9	1.5
1 x 1/2	32 x 32	5.91	4.80	6.46	0.71	0.75	2.40	1.42	1.42	5.04	4.21	0.98	0.79	M6	2.0	1.5
1-1/4 x 1/2	40 x 20	6.10	5.00	7.24	0.83	0.79	2.28	1.42	1.81	5.04	4.29	0.98	0.79	M6	2.0	1.6
1-1/14 x 3/4	40 x 25	6.10	5.00	7.24	0.85	0.79	2.36	1.42	1.81	5.04	4.29	0.98	0.79	M6	2.0	1.5
1-1/4 x 1	40 x 32	6.10	5.00	7.24	0.85	0.79	2.40	1.42	1.81	5.04	4.48	0.98	0.79	M6	2.1	1.6
1-1/4 x 1-1/4	40 x 40	9.29	-	9.33	0.85	-	4.00	-	1.85	7.44	-	1.77	1.85	M8	6.0	-
1-1/2 x 1/2	50 x 20	6.32	5.18	7.24	1.04	0.87	2.32	1.42	1.81	5.04	4.39	0.98	0.79	M6	2.2	1.7
1-1/2 x 3/4	50 x 25	6.32	-	7.24	1.04	-	2.36	-	1.81	5.04	-	0.98	0.79	M6	2.3	-
1-1/2 x 1	50 x 32	6.30	5.18	7.24	1.04	0.87	2.40	1.42	1.81	5.04	4.59	0.98	0.79	M6	2.2	1.7
1-1/2 x 1-1/4	50 x 40	9.37	-	9.33	1.00	-	3.78	-	1.81	7.87	-	1.77	2.24	M8	6.6	-
1-1/2 x 1-1/2	50 x 50	9.37	-	9.25	1.04	-	3.94	-	1.81	7.87	-	1.77	2.24	M8	6.7	-
2 x 1/2	63 x 20	6.61	-	7.24	1.30	-	2.28	-	1.81	5.04	-	0.98	0.79	M6	2.3	-
2 x 3/4	63 x 25	6.61	-	7.24	1.30	-	2.36	-	1.81	5.04	-	0.98	0.79	M6	2.3	-
2 x 1	63 x 32	6.61	5.43	7.24	1.30	0.87	2.40	1.42	1.81	5.04	4.59	0.98	0.79	M6	2.4	1.9
2 x 1-1/4	63 x 40	9.53	-	9.25	1.30	-	3.48	-	1.81	7.83	-	1.77	2.24	M8	6.8	-
2 x 1-1/2	63 x 50	9.53	-	9.25	1.30	-	3.66	-	1.81	7.83	-	1.77	2.24	M8	6.9	-
2 x 2	63 x 63	9.52	-	9.25	1.30	-	3.94	-	1.81	7.83	-	1.77	2.24	M8	7.0	-
2-1/2 x 3/4	75 x 25	7.05	-	8.27	0.91	-	2.38	-	1.30	5.24	-	0.98	1.30	M6	2.7	-
2-1/2 x 1	75 x 32	7.05	-	8.27	0.91	-	2.56	-	1.30	5.24	-	0.98	1.30	M6	2.8	-
2-1/2 x 1-1/4	75 x 40	9.76	-	8.27	1.54	-	3.46	-	1.30	7.83	-	1.77	2.48	M8	7.2	-
2-1/2 x 1-1/2	75 x 50	9.76	-	8.27	1.54	-	3.66	-	1.30	7.83	-	1.77	2.48	M8	7.1	-
2-1/2 x 2	75 x 63	9.76	-	8.27	1.54	-	3.94	-	1.30	7.83	-	1.77	2.48	M8	7.0	-

Continued on page 3

# T-343 ZERO STATIC DIAPHRAGM VALVE

## DIMENSIONS:



Size		Z (in)		L (in)	L1 (in)		t2 (in)		t (in)	H (in)		P (in)	A (in)	K	Weight (lbs)	
inch	mm	PVDF	PP		PVDF	PP	PVDF	PP		PVDF	PP				PVDF	PP
3 x 1/2	90 x 20	7.40	-	8.27	0.93	-	2.28	-	1.30	5.31	-	0.98	1.42	M6	2.0	-
3 x 3/4	90 x 25	7.40	-	8.27	0.93	-	2.38	-	1.30	5.31	-	0.98	1.42	M6	3.3	-
3 x 1	90 x 32	7.40	-	8.27	0.93	-	2.52	-	1.30	5.31	-	0.98	1.42	M6	3.1	-
3 x 1-1/4	90 x 40	10.04	-	8.27	1.83	-	3.46	-	1.30	7.83	-	1.77	2.68	M8	7.3	-
3 x 1-1/2	90 x 50	10.04	-	8.27	1.83	-	3.68	-	1.30	7.83	-	1.77	2.56	M8	7.5	-
3 x 2	90 x 63	10.04	-	8.27	1.83	-	3.94	-	1.30	7.83	-	1.77	2.56	M8	7.4	-
4 x 1/2	110 x 20	7.68	-	8.27	1.32	-	2.17	-	1.30	5.51	-	0.98	1.91	M6	3.9	-
4 x 3/4	110 x 25	7.80	-	8.27	1.32	-	2.26	-	1.30	5.51	-	0.98	1.69	M6	3.8	-
4 x 1	110 x 32	7.80	-	8.27	1.32	-	2.40	-	1.30	5.51	-	0.98	1.69	M6	3.8	-
4 x 1-1/4	110 x 40	10.51	-	8.27	2.22	-	3.48	-	1.30	7.83	-	1.77	2.95	M8	8.2	-
4 x 1-1/2	110 x 50	10.51	-	8.27	2.22	-	3.68	-	1.30	7.83	-	1.77	3.07	M8	8.2	-
4 x 2	110 x 63	10.51	-	8.27	2.22	-	3.94	-	1.30	7.83	-	1.77	2.95	M8	8.3	-
6 x 1	160 x 32	8.86	-	8.35	0.71	-	2.44	-	2.12	5.67	-	0.98	1.18	M8	5.8	-
6 x 1-1/4	160 x 40	11.42	-	9.84	1.34	-	3.94	-	2.12	8.07	-	1.77	2.28	M6	10.6	-
6 x 1-1/2	160 x 50	11.42	-	9.84	1.34	-	3.94	-	2.12	8.07	-	1.77	2.28	M6	10.8	-
6 x 2	160 x 63	11.42	-	9.84	1.34	-	3.94	-	2.12	8.07	-	1.77	2.28	M6	11.0	-

## PRESSURE VS. TEMPERATURE

(psi, water, non-shock)

Temp. (° F)	PVDF	PP
68	150	150
104	123	102
140	94	58
176	73	22
212	50	-

## SAMPLE SPECIFICATION:

1/2" through 4" (20mm through 110mm) valves shall be Type-342 style from the (Purad®, PolyPure®, PP-Pure®) high purity resin. Valve bodies are to be unibody, molded design with a full 150psi pressure rating at 68° F. Diaphragm material is to be (EPDM-backed PTFE, EPDM). All metal nuts and bolts must be capped or covered to reduce metal exposure. Top works must include integral lockout device on the handle and position indicator. Valves are to be shipped cleaned and double-bagged.

# T-343 ZERO STATIC DIAPHRAGM VALVE

## CV VALUES:

(100% Open, flow through branch)

Size		Cv
in	mm	
3/4 x 1/2	25/20	4
3/4 x 3/4	25/25	4
1 x 1/2	32/20	13
1 x 3/4	32/25	13
1 x 1	32/32	14
1-1/4 x 1/2	40/20	14
1-1/4 x 3/4	40/25	14
1-1/4 x 1	40/32	15
1-1/4 x 1-1/4	40/40	On Request
1-1/2 x 1/2	50/20	15
1-1/2 x 3/4	50/25	15
1-1/2 x 1	50/32	16
1-1/2 x 1-1/2	50/50	On Request
2 x 1/2	63/20	16
2 x 3/4	63/25	16
2 x 1	63/32	17
2 x 1-1/4	63/40	30
2 x 1-1/2	63/50	35
2 x 2	63/63	40
2-1/2 x 3/4	75/25	17
2-1/2 x 1	75/32	17
2-1/2 x 1-1/4	75/40	31
2-1/2 x 1-1/2	75/50	36
2-1/2 x 2	75/63	40
3 x 1/2	90/20	On Request
3 x 3/4	90/25	17
3 x 1	90/32	18
3 x 1-1/4	90/40	32
3 x 1-1/2	90/50	37
3 x 2	90/63	42
4 x 1/2	110/20	On Request
4 x 3/4	110/25	18
4 x 1	110/32	18
4 x 1-1/4	110/40	On Request
4 x 1-1/2	110/50	38
4 x 2	110/63	43